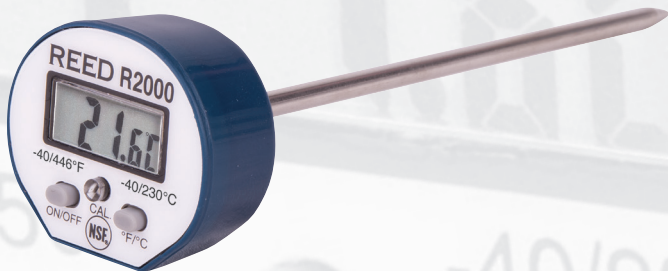


R2000

REED INSTRUMENTS

Digital Stem Thermometer



Instruction Manual



Table of Contents

Introduction	2
Product Quality.....	2
Safety	3
Features.....	3
Specifications	3
Instrument Description	4
Operating Instructions.....	4
Calibration Instructions	5
Battery Replacement.....	5
Accessories and Replacement Parts	5
Product Care	5
Product Warranty	6
Product Disposal and Recycling	6
Product Support.....	6

Introduction

Thank you for purchasing your REED R2000 Digital Stem Thermometer. Please read the following instructions carefully before using your instrument. By following the steps outlined in this manual your meter will provide years of reliable service.

Product Quality

This product has been manufactured to meet stated product specifications. If a certificate of calibration is required please contact the nearest authorized REED distributor or authorized Service Center. Please note an additional fee for this service will apply.

Safety

Never attempt to repair or modify your instrument. Dismantling your product, other than for the purpose of replacing batteries, may cause damage that will not be covered under the manufacturer's warranty. Servicing should only be provided by an authorized service center.

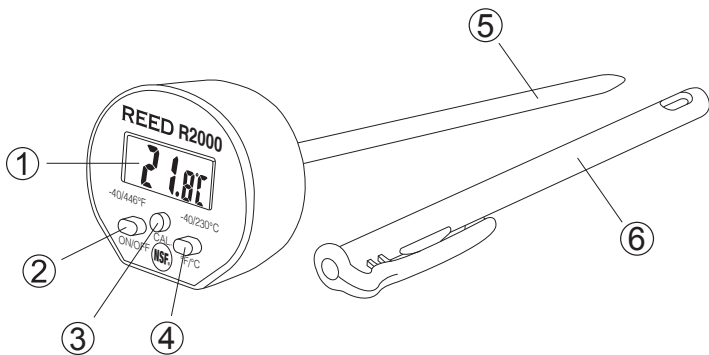
Features

- Stainless steel 4.75" (121mm) stem
- Water-resistant construction
- NSF certified
- Easy-to-read LCD display
- User selectable °C, °F
- Calibration screw for quick adjustments
- Auto shut off

Specifications

Measuring Range:	-40 to 450°F (-40 to 230°C)
Accuracy:	<0°F (-17.8°C): ±3.6°F (2.0°C) 0 to 230°F (-17.8 - 110°C): ±1°F (0.5°C) >230°F (110°C): ±3.6°F (2.0°C)
Resolution:	0.1°F/°C
Type:	Stem
Response Time:	2 seconds
Stem Material:	Stainless Steel
Stem Length:	4.75" (121mm)
Display:	3 1/2-digit LCD
Auto Shut-off:	Yes (after 10 minutes)
Power Supply:	1 x LR44 Battery
Product Certifications:	NSF, CE
Dimensions:	5.8 x 1.8 x 1.3" (146 x 45 x 32mm)
Weight:	1.1oz (32g)

Instrument Description



- | | |
|----------------------|----------------------|
| 1. LCD Display | 4. °F/°C Button |
| 2. ON/OFF Button | 5. Temperature Probe |
| 3. Calibration Screw | 6. Protective Cover |

Operating Instructions

1. Turn the meter on by pressing the **ON/OFF** button. To turn the meter off, press the **ON/OFF** button again.
2. Prior to taking a measurement, remove the thermometer from the protective sleeve.
3. Insert the thermometer stem at least ½" into the testing material.

Note: Do not force the probe into solid or semi-solid materials.

4. Press the **°F/°C** button to toggle between Fahrenheit and Celsius.

Note: When the meter is first powered on the default unit of measure is Fahrenheit (°F).

5. To preserve battery life, the meter is programmed to turn off after approximately 10 minutes of inactivity.

Calibration Instructions

1. Fill a container with crushed ice.
2. Add water until ice is completely submerged.
3. Add more ice to ensure it is packed tightly at the bottom of the container.
4. Insert the thermometer stem and allow to stabilize for approximately 3-5 minutes, while not allowing the tip to touch the bottom of the container
5. If the unit does not measure 32°F (0°C) once the reading has stabilized, slowly turn the calibration screw using a flat head screwdriver until the meter measures 32°F (0°C).

Note: Turn the calibration screw to the left to decrease the temperature value or to the right to increase the temperature value.

Battery Replacement

1. Open the battery door by sliding a flathead screwdriver under the lip of the rubber battery door.
2. When open, tap the unit against your hand to make the battery slide out.
3. Insert a new LR44 battery.
4. Push the rubber door in firmly so that the battery is all the way in position.

Accessories and Replacement Parts

Don't see your part listed here? For a complete list of all accessories and replacement parts visit your product page on www.reedinstruments.com.

Product Care

To keep your instrument in good working order we recommend the following:

- Store your product in a clean, dry place.
- Change the battery as needed.
- If your instrument isn't being used for a period of one month or longer please remove the battery.
- Clean your product and accessories with biodegradable cleaner. Do not spray the cleaner directly on the instrument. Use on external parts only.

Product Warranty

REED Instruments guarantees this instrument to be free of defects in material or workmanship for a period of one (1) year from date of shipment. During the warranty period, REED Instruments will repair or replace, at no charge, products or parts of a product that proves to be defective because of improper material or workmanship, under normal use and maintenance. REED Instruments total liability is limited to repair or replacement of the product. REED Instruments shall not be liable for damages to goods, property, or persons due to improper use or through attempts to utilize the instrument under conditions which exceed the designed capabilities. In order to begin the warranty service process, please contact us by phone at 1-877-849-2127 or by email at info@reedinstruments.com to discuss the claim and determine the appropriate steps to process the warranty.

Product Disposal and Recycling



Please follow local laws and regulations when disposing or recycling your instrument. Your product contains electronic components and must be disposed of separately from standard waste products.

Product Support

If you have any questions on your product, please contact your authorized REED distributor or REED Instruments Customer Service by phone at 1-877-849-2127 or by email at info@reedinstruments.com.

Please visit www.REEDINSTRUMENTS.com for the most up-to-date manuals, datasheets, product guides and software.

*Product specifications subject to change without notice.
All rights reserved. Any unauthorized copying or reproduction of this manual is strictly prohibited without prior written permission from REED Instruments.*

REED

INSTRUMENTS

TEST & MEASURE WITH CONFIDENCE



CHECK OUT OUR LATEST PRODUCTS!

REED INSTRUMENTS

TEMPERATURE
& HUMIDITY



SOUND



MOISTURE



AIR VELOCITY



ELECTRICAL

