

AcuSplitCT Series 20/30/40/50/60A Hinged Split Core Current Transformers

The Accuenergy hinged split core CTs are compact and low-cost current transformers with high accuracy. Designed with a single-click installation mechanism, the hinged CTs are ideal for quick and easy installation without disconnecting cables. The compact size is perfect for limited-space panels.



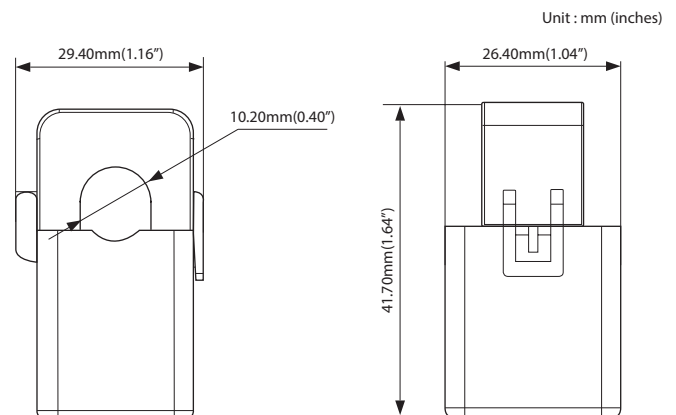
SPECIFICATIONS

Rated Input & Output	333mV@ 20/30/40/50/60A AC
Accuracy	0.5%
Frequency Range	50-1KHz
Window Size	0.4 Inch
Case Material	Black Nylon
Rated Voltage	600 Vac, Category III
Note: Do not use 600V class CT in application with voltage greater than 600V L-L	
Operating Temperature	-15°C - 60°C
Certifications	UR & CE approved, RoHS compliant
Lead	White-Positive, Brown-Negative, Bare-shield; 26AWG

ORDERING INFORMATION

Ordering Number:	AcuCT- H040 -	Rated Input	:	333
Ordering Example:	AcuCT- H040 -	20	:	333
		5: 5A		
		20: 20A		
		30: 30A		
		40: 40A		
		50: 50A		
		60: 60A		

DIMENSIONS



ACCUEENERGY
Your Power and Automation Partner

AcuSplitCT Series 50/100/150A

Hinged Split Core Current Transformers

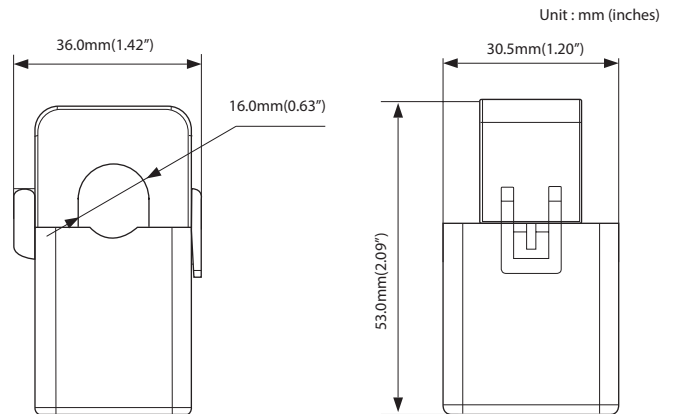
The Accuenergy hinged split core CTs are compact and low-cost current transformers with high accuracy. Designed with a single-click installation mechanism, the hinged CTs are ideal for quick and easy installation without disconnecting cables. The compact size is perfect for limited-space panels.



SPECIFICATIONS

Rated Input & Output	333mV@ 50/100/150A AC
Accuracy	0.5%
Frequency Range	50-1KHz
Window Size	0.63 Inch
Case Material	Black Nylon
Rated Voltage	600 Vac, Category III
Note: Do not use 600V class CT in application with voltage greater than 600V L-L	
Operating Temperature	-15°C - 60°C
Certifications	UR & CE approved, RoHS compliant
Lead	White-Positive, Brown-Negative, Bare-shield; 26AWG

DIMENSIONS



ORDERING INFORMATION

Ordering Number:	Rated Input	
AcuCT- H063 -		: 333
Ordering Example: AcuCT- H063 -	50	: 333
	100	: 333
	150	: 333

ACCUEENERGY
Your Power and Automation Partner

AcuSplitCT Series 100/120/200/250A Hinged Split Core Current Transformers

The Accuenergy hinged split core CTs are compact and low-cost current transformers with high accuracy. Designed with a single-click installation mechanism, the hinged CTs are ideal for quick and easy installation without disconnecting cables. The compact size is perfect for limited-space panels.

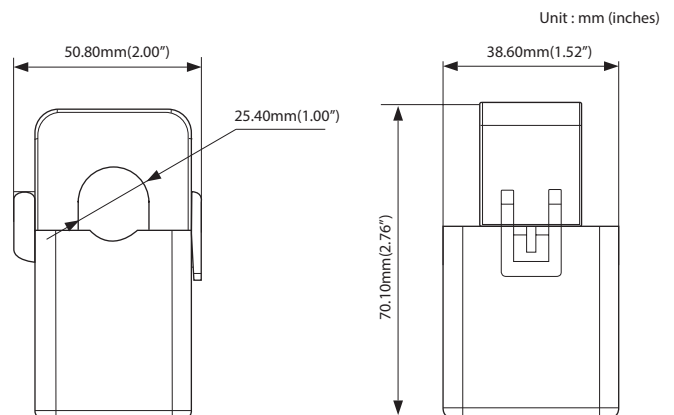


CE cRU[®]us E359521 RÖHS COMPLIANT

SPECIFICATIONS

Rated Input & Output	333mV@ 100/120/200/250A AC
Accuracy	0.5%
Frequency Range	50-1KHz
Window Size	1.0 Inch
Case Material	Black Nylon
Rated Voltage	600 Vac, Category III
Note: Do not use 600V class CT in application with voltage greater than 600V L-L	
Operating Temperature	-15°C - 60°C
Certifications	UR & CE approved, RoHS compliant
Lead	White-Positive, Brown-Negative, Bare-shield; 26AWG

DIMENSIONS



ORDERING INFORMATION

Ordering Number:	Rated Input	
AcuCT- H100 -	100	: 333
Ordering Example: AcuCT- H100 -	120	: 333
	100: 100A	
	120: 120A	
	200: 200A	
	250: 250A	

ACCUEENERGY
Your Power and Automation Partner

AcuSplitCT Series 200/400/600A Hinged Split Core Current Transformers

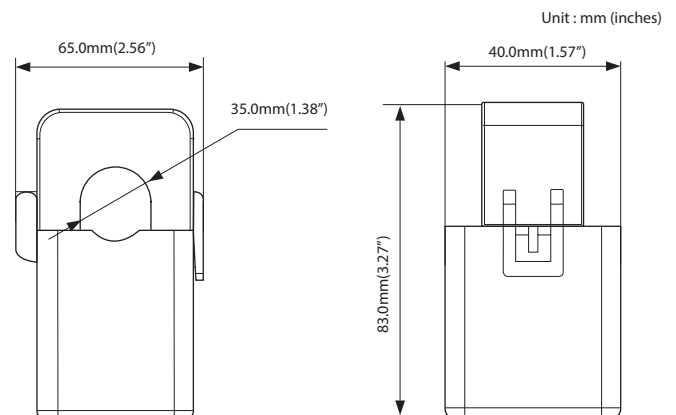
The Accuenergy hinged split core CTs are compact and low-cost current transformers with high accuracy. Designed with a single-click installation mechanism, the hinged CTs are ideal for quick and easy installation without disconnecting cables. The compact size is perfect for limited-space panels.



SPECIFICATIONS

Rated Input & Output	333mV@ 200/400/600A AC
Accuracy	0.5%
Frequency Range	50-1KHz
Window Size	1.38 Inch
Case Material	Black Nylon
Rated Voltage	600 Vac, Category III
Note: Do not use 600V class CT in application with voltage greater than 600V L-L	
Operating Temperature	-15°C - 60°C
Certifications	UR & CE approved, RoHS compliant
Lead	White-Positive, Brown-Negative, Bare-shield; 26AWG

DIMENSIONS



ORDERING INFORMATION

Ordering Number:	AcuCT- H138	-	Rated Input	:	333
Ordering Example:	AcuCT- H138	-	200	:	333
			200: 200A		
			400: 400A		
			600: 600A		

ACCUEENERGY
Your Power and Automation Partner