

AcuSplitCT Series 075R

Split Core Current Transformers

The Accuenergy split core CTs are compact and low-cost current transformers with high accuracy. The CTs are ideal for quick and easy installation without disconnecting cables during installation. Multiple installation mechanisms provide stable and durable current measurement.

FEATURES

- Multiple output including 80mA, 100mA, 200mA, 333mV
- Simple hinged installation
- Can be installed on cable, bus and panel
- Standard Window size from 0.75 to 5 by 7 inch
- Listed to UL2808, 61010-1 and CSA 22.2

SPECIFICATIONS

Rated Primary Current	Up to 150A
Rated Output	80mA, 100mA, 200mA, 333mV
Withstand Voltage	5,000Vac
Operating Amb. Temperature	-15°C to 65°C
Accuracy	IEC 60044-1 0.5s class
Lead	8 ft(2.5m) UL 1015 22AWG
Construction	UL enclosure rated to 135°C
Certifications	UL listed UL2808, 61010-1 and CSA 22.2

ORDERING INFORMATION

	Rated Input	Rated Output
Ordering Number	AcuCT-075R -	-
Ordering Example	AcuCT-075R - 50	333mV
	50: 50A	333mV
	100: 100A	80mA
	150: 150A	100mA
		200mA

Note: For any other size and ratio, please contact Accuenergy Corp.



Accuenergy Corp.

Los Angeles - Toronto - Beijing - Pretoria

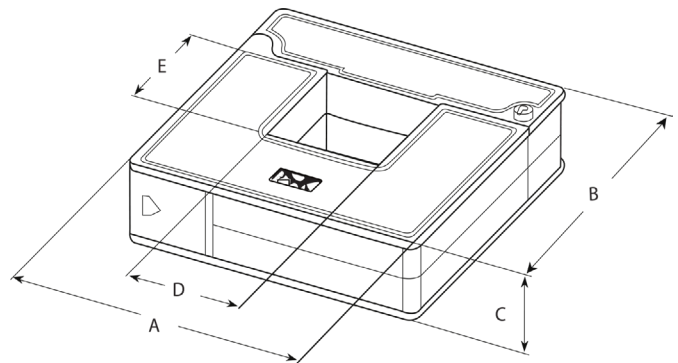
North America Toll Free: 1-877-721-8908

Web: www.accuenergy.com

Email: marketing@accuenergy.com



DIMENSIONS



SIZE CHART

Dimensions (inch/mm)				
A	B	C	D	E
2.3/58.0	2.3/58.0	0.9/22.0	0.75/19.5	0.75/19.5

AcuSplitCT Series 100R

Split Core Current Transformers

The Accuenergy split core CTs are compact and low-cost current transformers with high accuracy. The CTs are ideal for quick and easy installation without disconnecting cables during installation. Multiple installation mechanisms provide stable and durable current measurement.

FEATURES

- Multiple output including 1A, 80mA, 100mA, 200mA, 333mV
- Simple hinged installation
- Can be installed on cable, bus and panel
- Standard Window size from 0.75 to 5 by 7 inch
- Listed to UL2808, 61010-1 and CSA 22.2

SPECIFICATIONS

Rated Primary Current	Up to 250A
Rated Output	1A, 80mA, 100mA, 200mA, 333mV
Withstand Voltage	5,000Vac
Operating Amb. Temperature	-15°C to 65°C
Accuracy	IEC 60044-1 0.5s class
Lead	8 ft(2.5m) UL 1015 22AWG
Construction	UL enclosure rated to 135°C
Certifications	UL listed UL2808, 61010-1 and CSA 22.2

ORDERING INFORMATION

	Rated Input	Rated Output
Ordering Number	AcuCT-100R -	-
Ordering Example	AcuCT-100R - 100	- 333mV
	100: 100A	1A
	200: 200A	333mV
	250: 250A	80mA
		100mA
		200mA

Note: For any other size and ratio, please contact Accuenergy Corp.

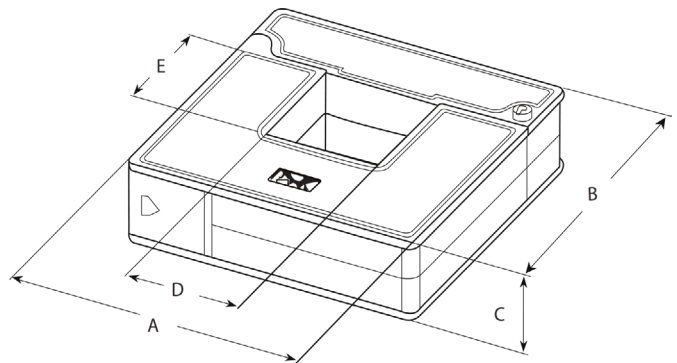


Accuenergy Corp.

Los Angeles - Toronto - Beijing - Pretoria
 North America Toll Free: 1-877-721-8908
 Web: www.accuenergy.com
 Email: marketing@accuenergy.com



DIMENSIONS



SIZE CHART

Dimensions (inch/mm)				
A	B	C	D	E
2.6/65.0	2.6/65.0	0.9/22.0	1.0/25.0	1.0/25.0

AcuSplitCT Series 125R

Split Core Current Transformers

The Accuenergy split core CTs are compact and low-cost current transformers with high accuracy. The CTs are ideal for quick and easy installation without disconnecting cables during installation. Multiple installation mechanisms provide stable and durable current measurement.

FEATURES

- Multiple output including 1A, 80mA, 100mA, 200mA, 333mV
- Simple hinged installation
- Can be installed on cable, bus and panel
- Standard Window size from 0.75 to 5 by 7 inch
- Listed to UL2808, 61010-1 and CSA 22.2

SPECIFICATIONS

Rated Primary Current	Up to 400A
Rated Output	1A, 80mA, 100mA, 200mA, 333mV
Withstand Voltage	5,000Vac
Operating Amb. Temperature	-15°C to 65°C
Accuracy	IEC 60044-1 0.5s class
Lead	8 ft(2.5m) UL 1015 22AWG
Construction	UL enclosure rated to 135°C
Certifications	UL listed UL2808, 61010-1 and CSA 22.2

ORDERING INFORMATION

	Rated Input	Rated Output
Ordering Number	AcuCT-125R -	-
Ordering Example	AcuCT-125R - 200	- 333mV
	100: 100A	1A
	200: 200A	333mV
	300: 300A	80mA
	400: 400A	100mA
		200mA

Note: For any other size and ratio, please contact Accuenergy Corp.

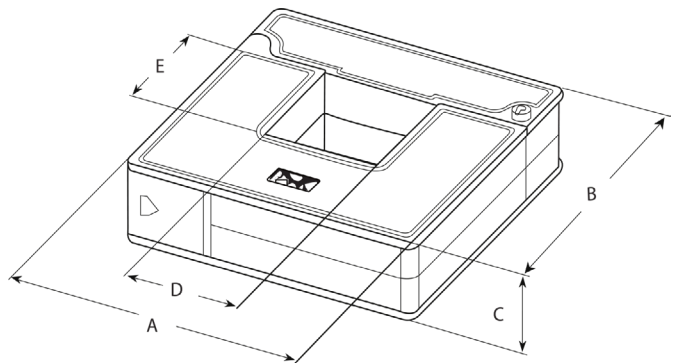


Accuenergy Corp.

Los Angeles - Toronto - Beijing - Pretoria
 North America Toll Free: 1-877-721-8908
 Web: www.accuenergy.com
 Email: marketing@accuenergy.com



DIMENSIONS



SIZE CHART

Dimensions (inch/mm)				
A	B	C	D	E
3.2/82.0	3.2/82.0	0.9/22.0	1.25/32.0	1.25/32.0

AcuSplitCT Series 200R

Split Core Current Transformers

The Accuenergy split core CTs are compact and low- cost current transformers with high accuracy. The CTs are ideal for quick and easy installation without disconnecting cables during installation. Multiple installation mechanisms provide stable and durable current measurement.

FEATURES

- Multiple output including 1A, 80mA, 100mA, 200mA, 333mV
- Simple hinged installation
- Can be installaed on cable, bus and panel
- Standard Window size from 0.75 to 5 by 7 inch
- Listed to UL2808, 61010-1 and CSA 22.2

SPECIFICATIONS

Rated Primary Current	Up to 1000A
Rated Output	1A, 80mA, 100mA, 200mA, 333mV
Withstand Voltage	5,000Vac
Operating Amb. Temperature	-15°C to 65°C
Accuracy	IEC 60044-1 0.5s class
Lead	8 ft(2.5m) UL 1015 22AWG
Construction	UL enclosure rated to 135°C
Certifications	UL listed UL2808, 61010-1 and CSA 22.2

ORDERING INFORMATION

	Rated Input	Rated Output
Ordering Number	AcuCT-200R -	-
Ordering Example	AcuCT-200R - 400	- 333mV
	400: 400A	1A
	600: 600A	333mV
	800: 800A	80mA
	1000: 1000A	100mA
		200mA

Note: For any other size and ratio, please contact Accuenergy Corp.

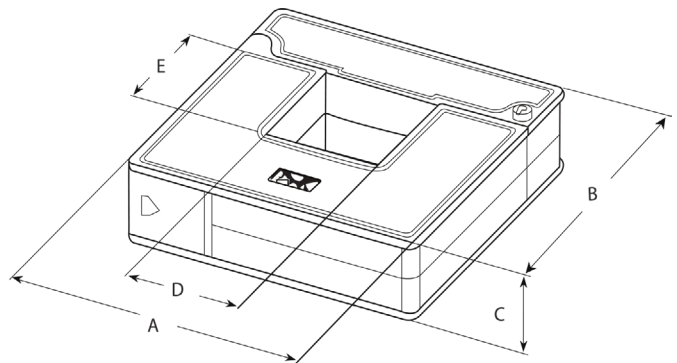


Accuenergy Corp.

Los Angeles - Toronto - Beijing - Pretoria
 North America Toll Free: 1-877-721-8908
 Web: www.accuenergy.com
 Email: marketing@accuenergy.com



DIMENSIONS



SIZE CHART

Dimensions (inch/mm)				
A	B	C	D	E
4.4/111.0	4.4/111.0	1.25/32.0	2.0/51.0	2.0/51.0

AcuSplitCT Series 3135R

Split Core Current Transformers

The Accuenergy split core CTs are compact and low- cost current transformers with high accuracy. The CTs are ideal for quick and easy installation without disconnecting cables during installation. Multiple installation mechanisms provide stable and durable current measurement.

FEATURES

- Multiple output including 5A, 1A, 80mA, 100mA, 200mA, 333mV
- Simple hinged installation
- Can be installaed on cable, bus and panel
- Standard Window size from 0.75 to 5 by 7 inch
- Listed to UL2808, 61010-1 and CSA 22.2

SPECIFICATIONS

Rated Primary Current	Up to 1500A
Rated Output	5A, 1A, 80mA, 100mA, 200mA, 333mV
Withstand Voltage	5,000Vac
Operating Amb. Temperature	-15°C to 65°C
Accuracy	IEC 60044-1 0.5s class
Lead	8 ft(2.5m) UL 1015 22AWG
Construction	UL enclosure rated to 135°C
Certifications	UL listed UL2808, 61010-1 and CSA 22.2

ORDERING INFORMATION

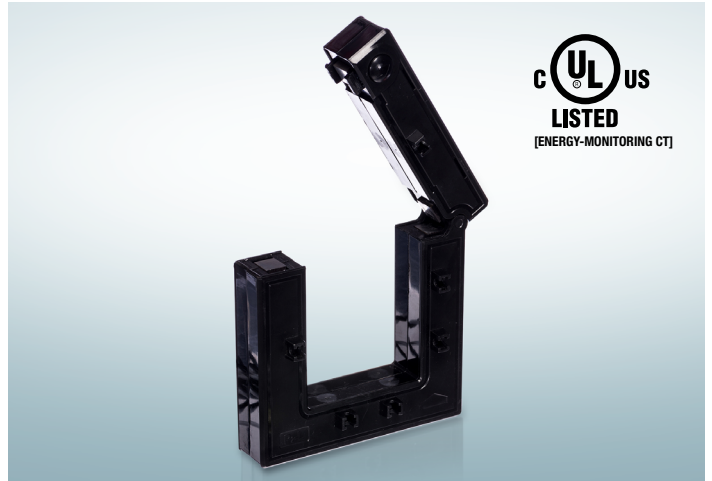
	Rated Input	Rated Output
Ordering Number	AcuCT-3135R -	-
Ordering Example	AcuCT-3135R - 600	333mV
	600: 600A	1A
	800: 800A	5A
	1000: 1000A	333mV
	1200: 1200A	80mA
	1500: 1500A	100mA
		200mA

Note: For any other size and ratio, please contact Accuenergy Corp.

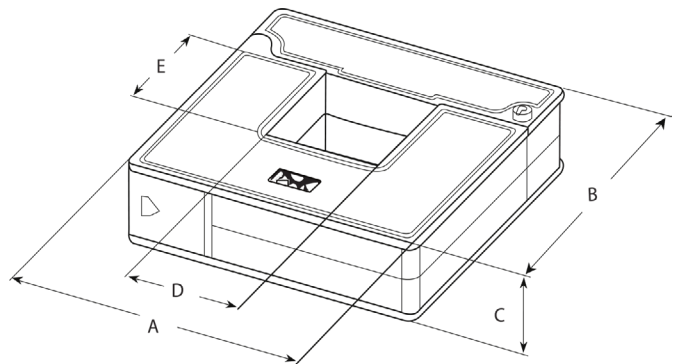


Accuenergy Corp.

Los Angeles - Toronto - Beijing - Pretoria
 North America Toll Free: 1-877-721-8908
 Web: www.accuenergy.com
 Email: marketing@accuenergy.com



DIMENSIONS



SIZE CHART

Dimensions (inch/mm)				
A	B	C	D	E
7/144.0	6.1/154.0	1.25/32.0	3.1/80.0	3.5/90.0

AcuSplitCT Series 4161R

Split Core Current Transformers

The Accuenergy split core CTs are compact and low- cost current transformers with high accuracy. The CTs are ideal for quick and easy installation without disconnecting cables during installation. Multiple installation mechanisms provide stable and durable current measurement.

FEATURES

- Multiple output including 5A, 1A, 80mA, 100mA, 200mA, 333mV
- Simple hinged installation
- Can be installed on cable, bus and panel
- Standard Window size from 0.75 to 5 by 7 inch
- Listed to UL2808, 61010-1 and CSA 22.2

SPECIFICATIONS

Rated Primary Current	Up to 5000A
Rated Output	5A, 1A, 80mA, 100mA, 200mA, 333mV
Withstand Voltage	5,000Vac
Operating Amb. Temperature	-15°C to 65°C
Accuracy	IEC 60044-1 0.5s class
Lead	8 ft(2.5m) UL 1015 22AWG
Construction	UL enclosure rated to 135°C
Certifications	UL listed UL2808, 61010-1 and CSA 22.2

ORDERING INFORMATION

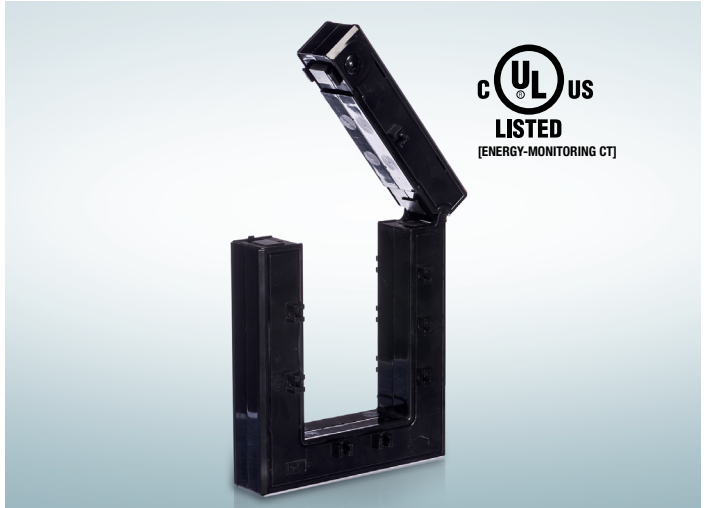
	Rated Input	Rated Output
Ordering Number	AcuCT-4161R -	-
Ordering Example	AcuCT-4161R - 1200	- 333mV
	1200: 1200A	1A
	1600: 1600A	5A
	2000: 2000A	333mV
	3000: 3000A	80mA
	4000: 4000A	100mA
	5000: 5000A	200mA

Note: For any other size and ratio, please contact Accuenergy Corp.

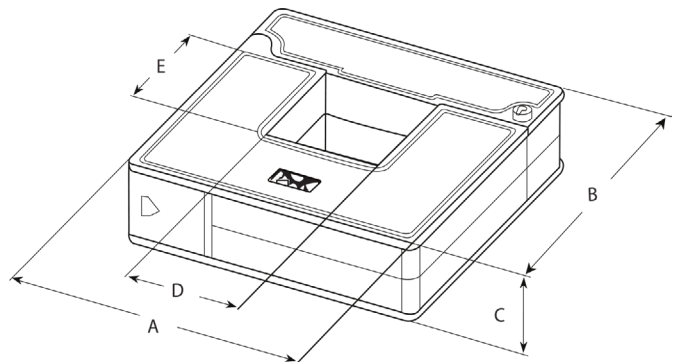


Accuenergy Corp.

Los Angeles - Toronto - Beijing - Pretoria
 North America Toll Free: 1-877-721-8908
 Web: www.accuenergy.com
 Email: marketing@accuenergy.com



DIMENSIONS



SIZE CHART

Dimensions (inch/mm)				
A	B	C	D	E
7.3/185.0	9.3/235.0	1.8/45.0	4.1/105.0	6.1/155.0

AcuSplitCT Series 5170R

Split Core Current Transformers

The Accuenergy split core CTs are compact and low- cost current transformers with high accuracy. The CTs are ideal for quick and easy installation without disconnecting cables during installation. Multiple installation mechanisms provide stable and durable current measurement.

FEATURES

- Multiple output including 5A, 1A, 80mA, 100mA, 200mA, 333mV
- Simple hinged installation
- Can be installed on cable, bus and panel
- Standard Window size from 0.75 to 5 by 7 inch
- Listed to UL2808, 61010-1 and CSA 22.2

SPECIFICATIONS

Rated Primary Current	Up to 5000A
Rated Output	5A, 1A, 80mA, 100mA, 200mA, 333mV
Withstand Voltage	5,000Vac
Operating Amb. Temperature	-15°C to 65°C
Accuracy	IEC 60044-1 0.5s class
Lead	8 ft(2.5m) UL 1015 22AWG
Construction	UL enclosure rated to 135°C
Certifications	UL listed UL2808, 61010-1 and CSA 22.2

ORDERING INFORMATION

	Rated Input	Rated Output
Ordering Number	AcuCT-5170R -	-
Ordering Example	AcuCT-5170R - 2000	- 333mV
	2000: 2000A	1A
	3000: 3000A	5A
	4000: 4000A	333mV
	5000: 5000A	80mA
		100mA
		200mA

Note: For any other size and ratio, please contact Accuenergy Corp.

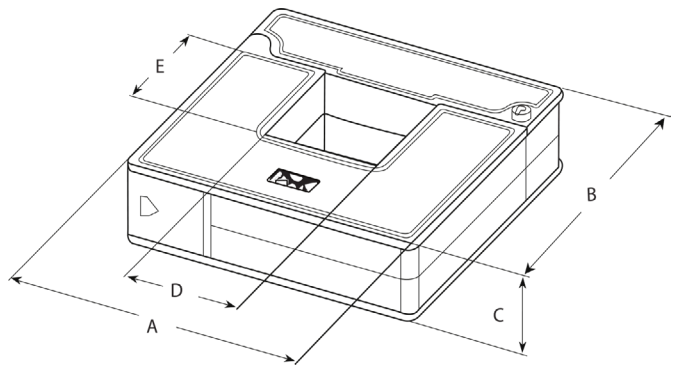


Accuenergy Corp.

Los Angeles - Toronto - Beijing - Pretoria
 North America Toll Free: 1-877-721-8908
 Web: www.accuenergy.com
 Email: marketing@accuenergy.com



DIMENSIONS



SIZE CHART

Dimensions (inch/mm)				
A	B	C	D	E
8.3/210.0	10.2/260.0	1.8/45.0	5.1/130.0	7.0/180.0