

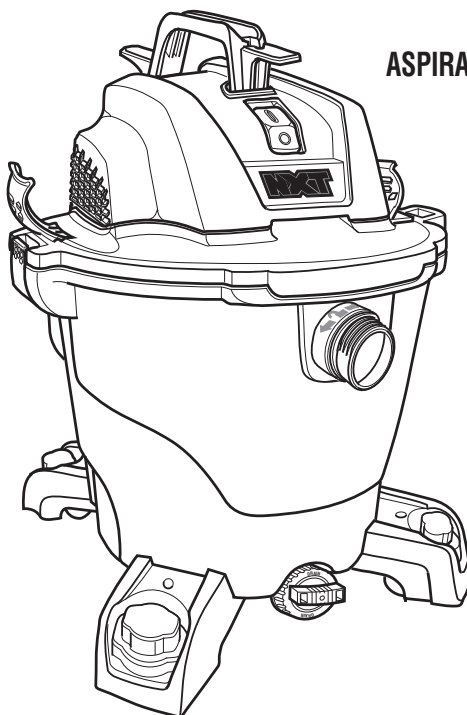


**OWNER'S MANUAL  
MANUAL DEL USUARIO  
MODE D'EMPLOI**

**12 U.S. GALLON / 45 Liter  
WET/DRY VAC**

**ASPIRADORA PARA MOJADO/SECO DE  
12 GALONES EE.UU. / 45 Litros**

**ASPIRATEUR DE LIQUIDES ET  
DE POUSSIÈRES DE  
45 Litres / 12 GALLONS DES É-U**



**RT12000**

**TABLE OF CONTENTS**

\*\*\*\*\*

- SAFETY INSTRUCTIONS..... 2
- INTRODUCTION ..... 4
- ASSEMBLY..... 6
- OPERATION ..... 9
- STORAGE ..... 13
- MAINTENANCE..... 14
- REPAIR PARTS ..... 16

**ÍNDICE DE CONTENIDO**

\*\*\*\*\*

- INSTRUCCIONES DE SEGURIDAD . 17
- INTRODUCCIÓN ..... 19
- ENSAMBLAJE ..... 21
- FUNCIONAMIENTO ..... 24
- ALMACENAMIENTO..... 28
- MANTENIMIENTO..... 29
- PIEZAS DE REPUESTO..... 31

**TABLE DES MATIÈRES**

\*\*\*\*\*

- INSTRUCTIONS RELATIVES  
À LA SÉCURITÉ ..... 32
- INTRODUCTION ..... 34
- ASSEMBLAGE ..... 36
- FONCTIONNEMENT..... 39
- RANGEMENT ..... 43
- ENTRETIEN..... 44
- PIÈCES DE RECHANGE ..... 48



**WARNING:**

To reduce the risk of injury, the user must read and understand the owner's manual before using this product.



**ADVERTENCIA:**

Para reducir el riesgo de lesiones, el usuario debe leer y comprender el manual del usuario antes de usar este producto.



**AVERTISSEMENT :**

Pour réduire les risques de blessures, l'utilisateur doit lire et veiller à bien comprendre le mode d'emploi avant d'utiliser ce produit.

**SAVE THIS MANUAL  
FOR FUTURE REFERENCE**

**GUARDE ESTE MANUAL  
PARA REFERENCIA FUTURA**

**CONSERVER CE MANUEL  
POUR RÉFÉRENCE FUTURE**

# IMPORTANT SAFETY INSTRUCTIONS

Safety is a combination of using common sense, staying alert, and knowing how your Wet/Dry Vacuum Cleaner ("Vac") works.

## Safety Signal Words

**⚠ DANGER:** Indicates a hazardous situation which, if not avoided, will result in death or serious injury.

**⚠ WARNING:** Indicates a hazardous situation which, if not avoided, could result in death or serious injury.

**⚠ CAUTION:** Indicates a hazardous situation which, if not avoided, could result in minor or moderate injury.

When using your Vac, always follow basic safety precautions including the following:

## ⚠ WARNING

- To reduce the risk of fire, electric shock, or injury:

- Read and understand this manual and all labels on the Wet/Dry Vac before operating.
- Use only as described in this manual.
- Do not leave Vac running while unattended - you may fail to notice important signs indicating abnormal operation such as loss of suction, debris/liquid exiting exhaust, or abnormal motor noises. Immediately stop using Vac if you notice these signs.
- Do not leave Vac when plugged in. Unplug from outlet when not in use and before servicing.
- Sparks inside the motor can ignite flammable vapors or dust. To reduce the risk of fire or explosion, do not use near combustible liquids, gases, or dusts, such as gasoline or other fuels, lighter fluid, cleaners, oil-based paints, natural gas, coal dust, magnesium dust, grain dust, aluminum dust, or gun powder.
- Do not vacuum anything that is burning or smoking, such as cigarettes, matches, or hot ashes.
- To avoid the risk of self-ignition of drum debris, empty drum after each use. Combustible materials, such as rags or sawdust containing stain or urethane, can be sources of such overheating.
- Do not vacuum drywall dust, cold fireplace ash, or other fine dusts with standard filter. These may pass through the filter and be exhausted back into the air. Use a fine dust filter instead.
- To reduce the risk of inhaling toxic vapors, do not vacuum or use near toxic or hazardous materials.
- To reduce the risk of electric shock, do not expose to rain or allow liquid to enter motor compartment. Store indoors.
- This Wet/Dry Vac is not intended for use by persons (including children) with reduced physical, sensory, or mental capabilities, or lack of experience and knowledge, unless they have been given supervision or instruction concerning use of the appliance by a person responsible for their safety.
- Do not allow to be used as a toy. Close attention is necessary when used by or near children.
- Do not use with a torn filter or without filter installed except when vacuuming liquids as described in this manual. Dry debris ingested by the impeller may damage the motor or be exhausted into the air.
- Turn off Vac before unplugging.
- To reduce the risk of injury from accidental starting, unplug power cord before changing or cleaning filter.
- Do not unplug by pulling on cord. To unplug, grasp the plug, not the cord.
- Do not use with damaged cord, plug or other parts. If your Vac is not working as it should, has missing parts, has been dropped, damaged, left outdoors, or dropped into water, call customer service.
- Do not pull or carry by cord, use cord as handle, close a door on cord, or pull cord around sharp edges or corners. Do not run Vac over cord. Keep cord away from heated surfaces.
- Do not handle plug, switch, or the Vac with wet hands.

# IMPORTANT SAFETY INSTRUCTIONS

- Use only extension cords that are rated for outdoor use. Extension cords in poor condition or too small in wire size can pose fire and shock hazards. To reduce the risk of these hazards, be sure the cord is in good condition and that liquid does not contact the connection. Do not use an extension cord with conductors smaller than 1,3 mm<sup>2</sup> (16 AWG).
- This Wet/Dry Vac is double-insulated, eliminating the need for a separate grounding system. Use only identical replacement parts. Read the instructions for Servicing Double-Insulated Wet/Dry Vacs before servicing.
- Do not put any object into ventilation openings. Do not vacuum with any ventilation openings blocked; keep free of dust, lint, hair or anything that may reduce air flow.
- Keep hair, loose clothing, fingers, and all parts of body away from openings and moving parts.
- To reduce the risk of falls, use extra care when cleaning on stairs.
- To reduce the risk of back injury or falls, do not lift a Vac that is heavy with liquid or debris. Partially empty by scooping debris or draining liquid.
- To reduce the risk of personal injury or damage to Vac, use only RIDGID recommended accessories.
- When using as a blower:
  - Direct air discharge only at work area.
  - Do not direct air at bystanders.
  - Keep children away when blowing.
  - Do not use blower for any job except blowing dirt and debris.
  - Do not use as a sprayer.
- To reduce the risk of eye injury, wear safety eyewear. The operation of any utility Vac or blower can result in foreign objects being blown into the eyes, which can result in severe eye damage.

## ⚠ CAUTION:

- To reduce the risk of hearing damage, wear ear protectors when using for extended hours or in a noisy area.
- For dusty operations, wear dust mask.
- Static shocks are common when the relative humidity of the air is low. Vacuuming fine debris with your Vac can deposit static charge on the hose or Vac. To reduce the frequency of static shocks in your home or when using this Vac, add moisture to the air with a humidifier.

Observe the following warnings that appear on the motor housing of your Vac:



DOUBLE INSULATED  
GROUNDING NOT REQUIRED.  
WHEN SERVICING USE ONLY  
IDENTICAL REPLACEMENT PARTS.

## ⚠ WARNING:

- **For your own safety, read and understand owner's manual.**
- **Do not run unattended.**
- **Do not pick up hot ashes, coals, toxic, flammable or other hazardous materials.**
- **Do not use around explosive liquids or vapors.**

⚠ **WARNING: To reduce the risk of electric shock - do not expose to rain - store indoors.**

## SAVE THIS MANUAL

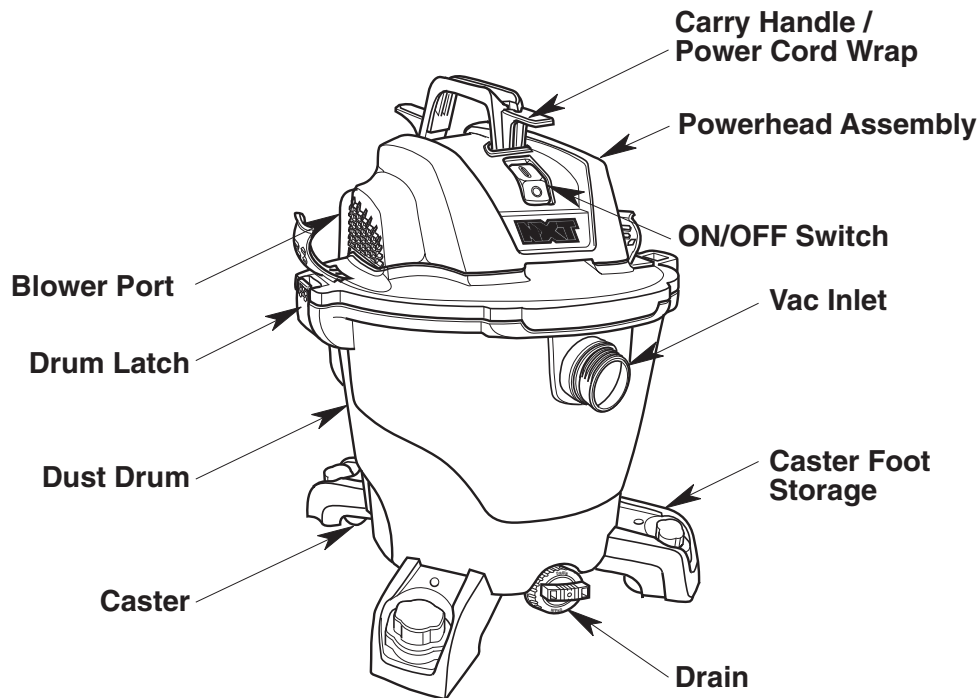
# INTRODUCTION

---

This Wet/Dry Vac is intended for household use. It may be used for vacuuming wet or dry media and may be used as a blower.

Read this Owner's Manual to familiarize yourself with the product features and to understand the specific usage of your new Vac.

## Getting to Know Your Wet/Dry Vac



Familiarize yourself with the Accessories included with the Vac. Each Accessory may be used in various ways for vacuuming and blowing debris. Here is a list of the Accessories and their uses.

**Professional Locking Hose** - Provides transfer of vacuum or blowing capability to work site. Provides the means of attaching Extension Wands and Nozzles. Locking Hose 48mm (1 7/8") x 2.4 m (8') - Fits 2 1/2" Accessories.

**Extension Wands** - These Wands can be connected together and provide additional length.

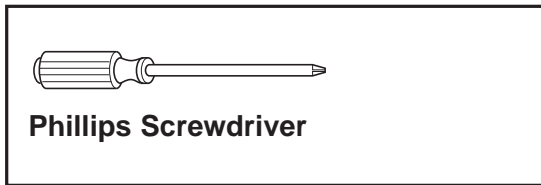
**Wet Nozzle** - Used for wet pickup on smooth surfaces to pick up liquid and dry the surface in one stroke.

**Utility Nozzle** - General purpose Nozzle for most vacuuming applications.

**Car Nozzle** - Dry pickup Nozzle for car interiors and most upholstery cleaning.

# INTRODUCTION

## Tools Required



## Unpacking

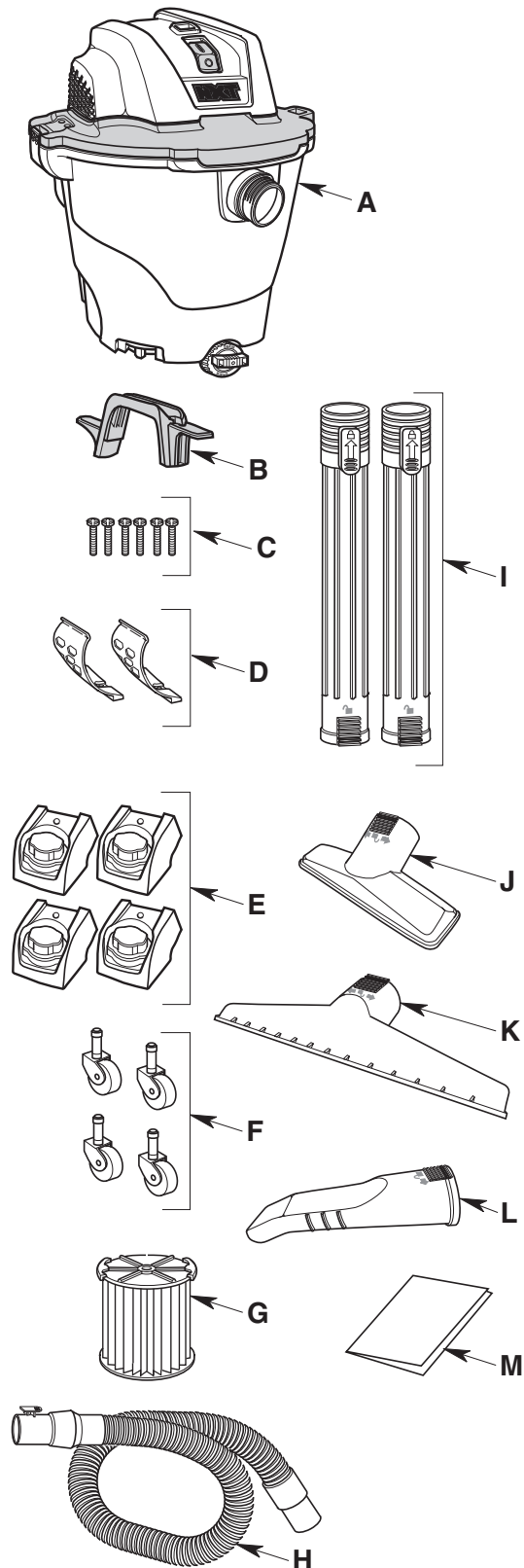
**This Product Requires Assembly.**

Check all parts from carton against the Carton Contents List.

## Carton Contents List

Key	Description	Qty
A	Wet/Dry Vac .....	1
B	Carry Handle.....	1
C	Pan Head Screws, #10 x 3/4" (19 mm).....	6
D	Hose Storage Clips .....	2
E	Caster Foot w/Storage.....	4
F	Casters .....	4
G*	Qwik Lock™ Filter .....	1
H	Professional Locking Hose .....	1
I	Extension Wands.....	2
J	Utility Nozzle.....	1
K	Wet Nozzle .....	1
L	Car Nozzle.....	1
M	Owner's Manual.....	1

\* The Filter comes preassembled.

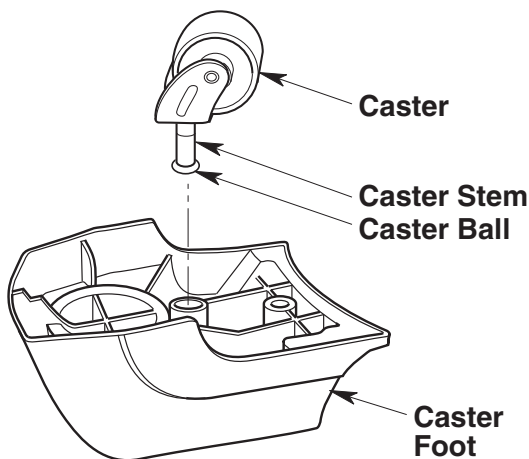


# ASSEMBLY

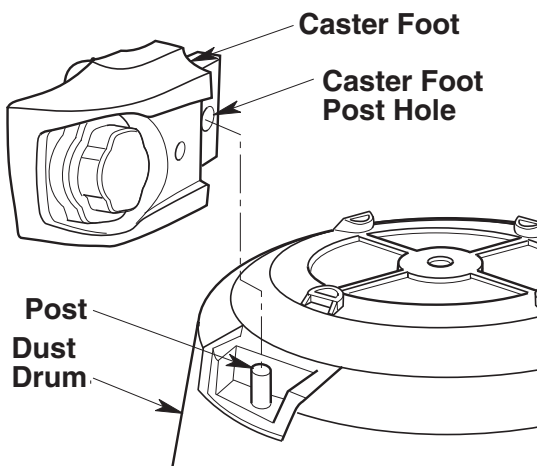
## Caster/Caster Foot Assembly

**NOTE:** Remove Powerhead Assembly from Dust Drum prior to assembly of Casters and Caster Feet.

1. Turn Dust Drum upside down on floor.
2. Place Caster Foot on floor. Insert the stem of a Caster into socket of Caster Foot.
3. Push on the Caster until the Caster ball end snaps fully into the Socket and the Caster swivel freely. Repeat for other three Casters and Caster Feet.



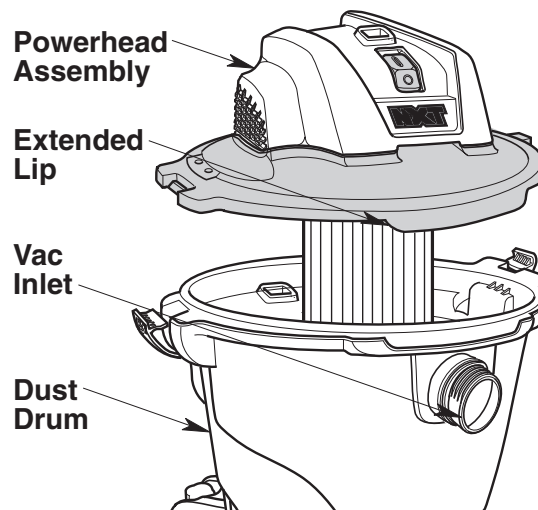
4. Place Caster Foot with Caster over post on bottom of Dust Drum and press firmly in place, as shown.
5. Repeat for the other three Caster/Caster Foot assemblies.
6. Turn the Dust Drum upright.



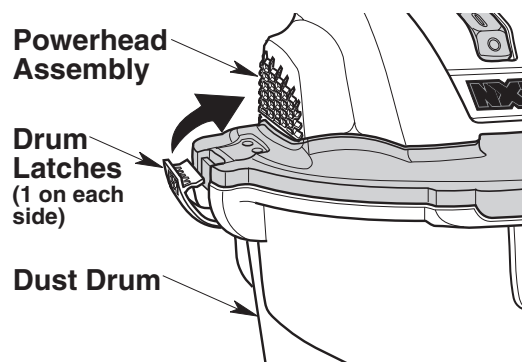
## Wet/Dry Vac Assembly

### Attaching Powerhead Assembly to Dust Drum

1. Place Powerhead Assembly on top of Dust Drum with the Extended Lip of the Lid aligned with the Vac Inlet. Be sure Powerhead Assembly is fully seated on the Dust Drum.



2. Press in on the two Latches located on either side of the Dust Drum until they snap into place, securing the Powerhead Assembly to the Dust Drum.
3. To remove the Powerhead Assembly, pull out on the two Latches and lift Powerhead Assembly from the Dust Drum. Do not force the Latches to rotate more than slightly outside Drum Flange.

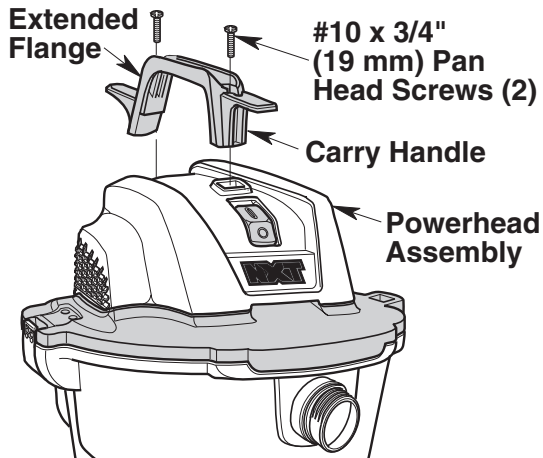




# ASSEMBLY

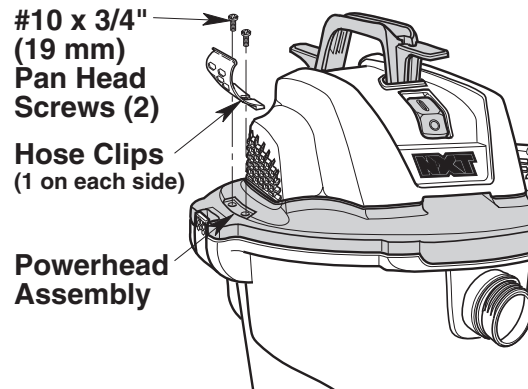
## Carry Handle Assembly

1. Locate the Carry Handle and the two (2) #10 x 3/4" (19 mm) Pan Head Screws in loose parts bag.
2. Position the Carry Handle on top of the Powerhead Assembly, with the Carry Handle Extended Flange to the rear of the Powerhead Assembly, as shown.
3. Insert a #10 x 3/4" (19 mm) Pan Head Screw through the hole at each end of the Carry Handle and into the Powerhead Assembly. Tighten securely.



## Hose Storage Clip Assembly

1. Locate the two (2) Hose Clips and four (4) #10 x 3/4" (19 mm) Pan Head Screws in the loose parts.
2. Place a Clip into the recess next to one of the Latches. The Curve of the Clip should face outward.
3. Insert a #10 x 3/4" (19 mm) Pan Head Screw into each mounting hole and tighten securely.
4. Repeat on the other side.

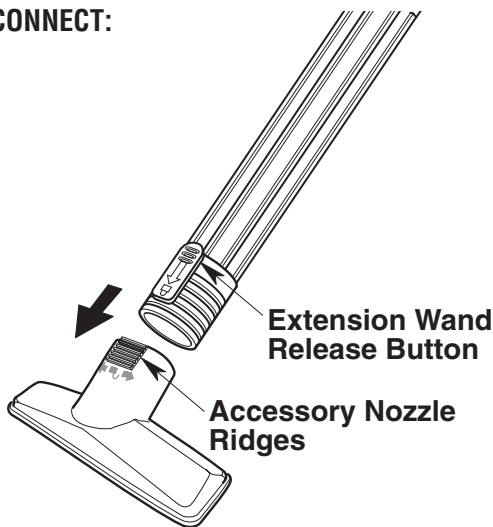


# ASSEMBLY

## Locking Accessories

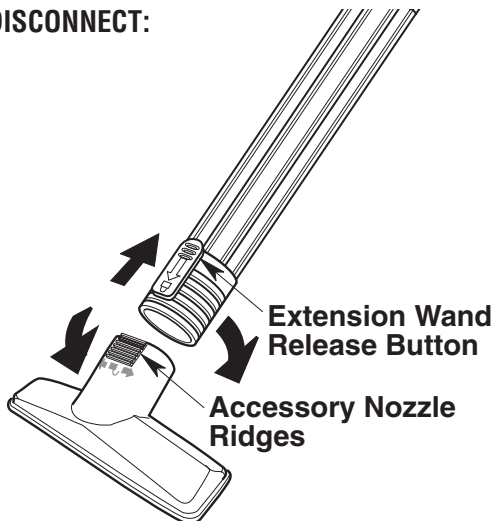
1. **To Connect Accessory:** Your RIDGID Wet/Dry Vac includes Locking Accessories to prevent the Accessories from falling off when in use. To connect the Accessories, align the Nozzle Ridges of the Accessory with the Release Button of your Extension Wand. Press to secure the Nozzle to the Extension Wand.

**CONNECT:**



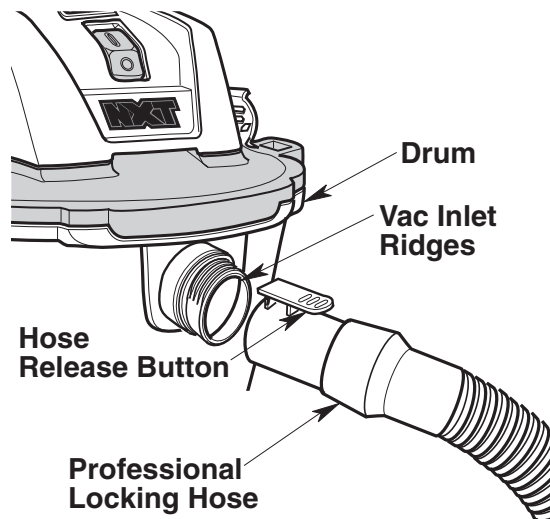
2. **To Disconnect Accessory:** Twist the Nozzle and Extension Wand to disengage the Nozzle Ridges and pull. You may also press the Release Button and pull to disengage.

**DISCONNECT:**



## Inserting the Professional Locking Hose

1. Locate the end of the Professional Locking Hose and align it with the Drum Inlet. Align the Hose Release Button with the Ridges on the Vac Inlet. Push the Hose end straight into the Vac Inlet until the Hose Release Button fully engages the Inlet Ridges.
2. To remove Hose, rotate the end of the Professional Locking Hose in either direction to release the Hose Latch from the Inlet Ridges. Press the Hose Release Button and pull the Hose end straight out of the Vac Inlet.

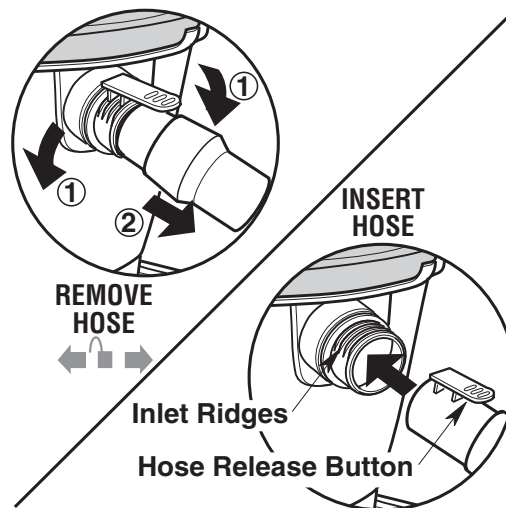




# ASSEMBLY

## Remove Hose:

1. Rotate Hose End in either direction to disengage Inlet Ridges.
2. Press the Hose Release Button and pull the Hose End straight out of the Vac Inlet.



# OPERATION

**⚠ WARNING:** To reduce the risk of fire, explosion, or damage to Vac:

- Do not leave Vac running while unattended - you may fail to notice important signs indicating abnormal operation such as loss of suction, debris/liquid exiting the exhaust, or abnormal motor noises. Immediately stop using Vac if you notice these signs.
- Do not leave Vac plugged in when not in use.
- Do not continue running when float has cut off suction.
- Sparks inside the motor can ignite airborne flammables. Do not operate Vac near flammable liquids or in areas with flammable gases, vapors, or explosive/airborne dust. Flammable liquids, gases, and vapors include: lighter fluid, solvent-type cleaners, oil-based paints, gasoline, alcohol, and aerosol sprays. Explosive dusts include: coal, magnesium, aluminum, grain, and gun powder.
- Do not vacuum up explosive dusts, flammable liquids, or hot ashes.
- Do not leave sawdust or rags with stain or polyurethane residue inside Vac. Empty drum after picking up these potentially self-heating materials.

**⚠ WARNING:** To reduce the risk of electric shock or injury:

- Do not expose to rain or allow liquid to enter motor compartment. Store indoors.
- Do not handle plug, switch, or Vac with wet hands.
- Unplug Vac before servicing. If your Vac is not working as it should, has missing parts, has been dropped, damaged, left outdoors, or dropped into water, return it to an authorized service center or call customer service.
- When using an extension cord, use only outdoor-rated cords that are in good condition. Do not allow the connection to come into contact with liquid.

# OPERATION

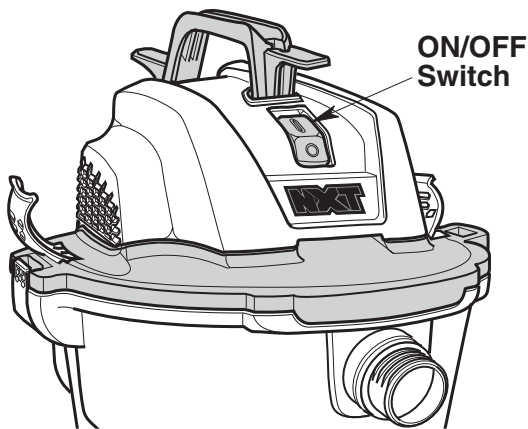
---

**⚠ CAUTION:** To reduce the risk of hearing damage, wear ear protectors when using the Vac/Blower for extended time or in a noisy area.

## Polarized Plug

To reduce the risk of electric shock, this Vac has a Polarized Plug (one blade is wider than the other). This Plug will fit in a Polarized Outlet only one way. If the Plug does not fit fully in the Outlet, reverse the Plug. If it still does not fit, contact a qualified electrician to install the proper Outlet. Do not change the Plug in any way.

With Power Cord plugged in, turn the Vac "ON" by pressing in on the "I" (top) on the Power Switch. To turn "OFF" press the "O" (bottom) of the Power Switch. The symbols used on the Switch Actuator are international "On & Off" symbols.



## Vacuumping Dry Materials

1. The Filter must always be correctly installed to avoid leaks and possible Vac damage.
2. To maintain peak performance when vacuuming fine dust, clean the Drum and Filter regularly.

**NOTE:** Do not use a wet Filter when picking up dry material. The Filter will quickly clog and be difficult to clean.

3. If the Filter is wet, you must allow it to dry completely or replace it with a dry Filter before using the Vac to pick up dry material.

# OPERATION

## Vacuating Liquids

1. Vacuuming up small amounts of liquid (less than 2" (5 cm) collected in Dust Drum) does not require Filter removal.
2. When larger amounts of liquid are to be picked up, remove the Filter, but not the Filter Cage or Float, to prevent the Filter from becoming saturated with liquid. If the Filter becomes saturated, you may see "mist" coming from the Blowing Port.
3. When the Drum is "full" the Float will rise and cut off airflow. The motor sound will rise in pitch and its speed will increase indicating the Drum is "full". Turn OFF the Vac and unplug the power cord before emptying the Drum.

**⚠ WARNING: Do not operate without filter cage and float in place. They prevent liquid from entering the impeller and damaging the motor.**

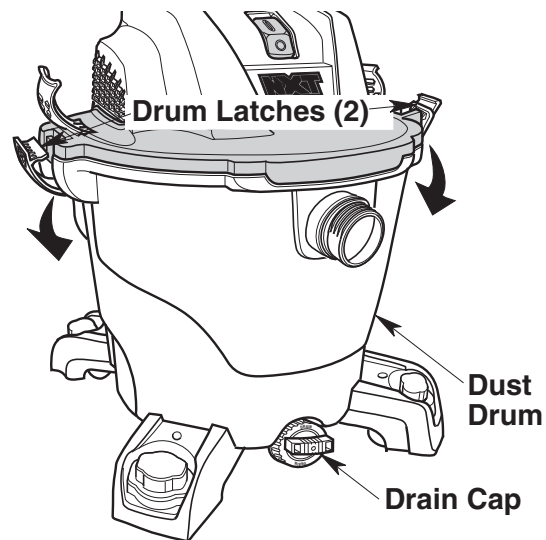
4. Following use of Vac for wet pick up, allow Filter to dry completely to avoid mildew and Filter damage.

**IMPORTANT:** To reduce the risk of damage to the Vac, do not run Motor with Float in raised position.

## Emptying the Dust Drum

**⚠ WARNING: To reduce the risk of injury from accidental starting, unplug power cord before emptying the drum.**

1. Unplug Power Cord from power source.
2. The Vac comes equipped with a Drain for easy emptying of liquids. Position the Vac near a suitable drain or receptacle and remove the Drain Cap.
3. Remove the Powerhead Assembly by pulling outward at the top of the two Latches.
4. Lift Powerhead Assembly from the Dust Drum and set aside.
5. Empty Dust Drum into a proper waste disposal container.

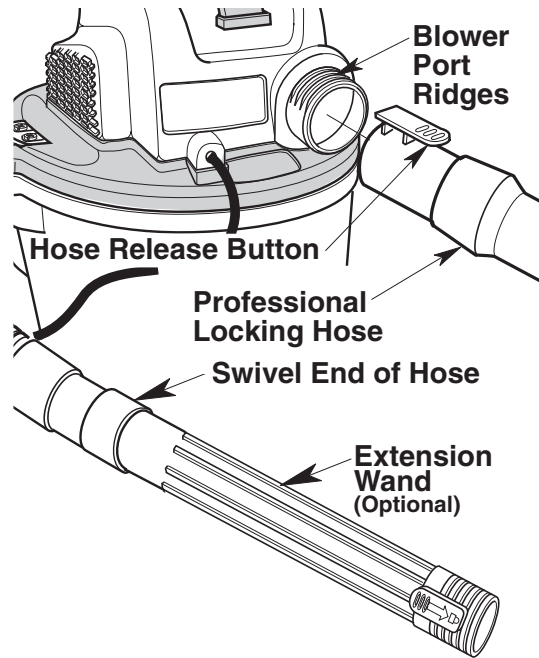


# OPERATION

## Blowing Feature

Your Vac features a Blower Port. It can blow sawdust and other debris. Follow the steps below to use your Vac as a Blower.

1. Locate the Blower Port, at the rear of the Powerhead of your Wet/Dry Vac.
2. Align the Professional Locking Hose Release Button end with the Blower Port Ridges. Push the Hose End straight into the Blower Port until the Hose Release Button fully engages the Blower Port Ridges.
3. (Optional) Attach the Extension Wand to swivel end of the Hose.
4. Turn the Vac on and you are ready to use your Vac as a Blower.



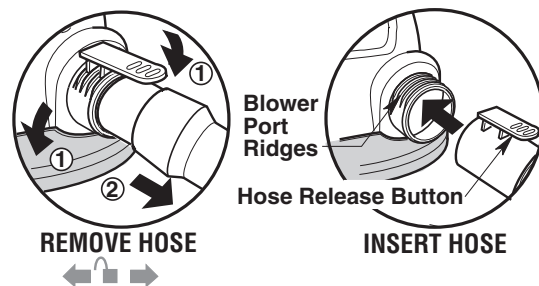
**⚠ WARNING:** Always wear safety eyewear complying with ANSI Z87.1 (or in Canada, CSA Z94.3) before using as a blower.

**⚠ WARNING:** To reduce the risk of injury to bystanders, keep them clear of blowing debris.

**⚠ CAUTION:** Wear a dust mask if blowing creates dust which might be inhaled.

### Remove Hose:

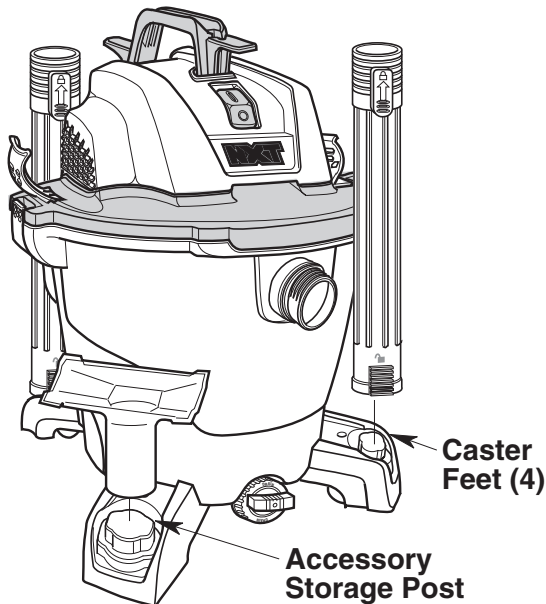
1. Rotate Hose End in either direction to disengage Blower Port Ridges.
2. Press the Hose Release Button and pull the Hose End straight out of the Blower Port.



# ACCESSORY & HOSE STORAGE

## Accessory Storage

1. For storage, slide the Extension Wands and the Accessories onto Posts of the Caster Feet.
2. To remove Wands and Accessories, lightly rotate and pull upward.

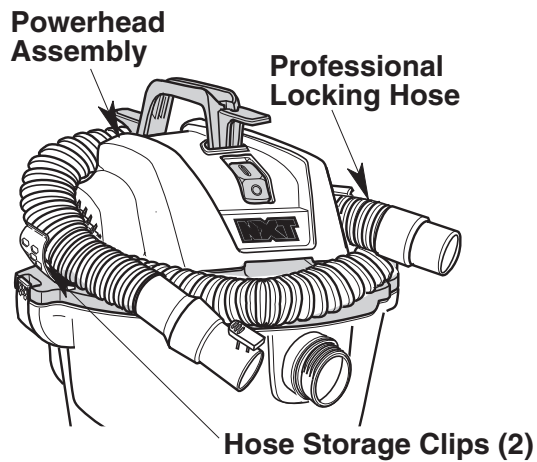


## Hose Storage

The Professional Locking Hose may be stored around the Powerhead Assembly using the two Hose Storage Clips.

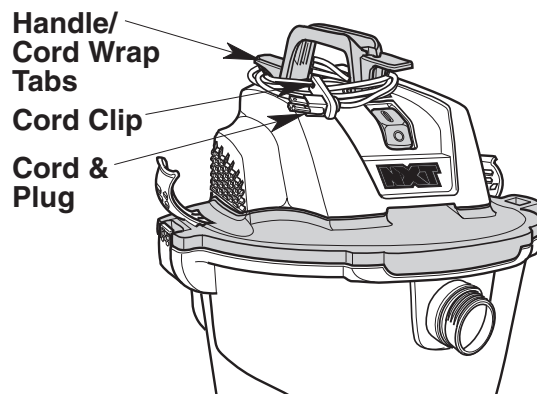
**⚠ WARNING:** Do not put any object into ventilation openings. Do not vacuum with any ventilation openings blocked; keep free of dust, lint, hair or anything that may reduce air flow.

**⚠ CAUTION:** Do not operate vacuum while the hose is still wrapped around the powerhead assembly in the storage position.



## Cord Storage

To store the Cord, wrap it around the top Handle/Cord Wrap beneath the two Tabs. Secure the Cord using the Cord Clip on the Plug.



# MAINTENANCE

## Filter

**⚠ WARNING:** To reduce the risk of injury from accidental starting, unplug power cord before changing or cleaning filter.

**NOTE:** The Filter is made of high quality paper designed to stop small particles of dust. The Filter can be used for dry pick up or small amounts of liquid. Handle the Filter carefully when removing or installing it. Creases in the Filter Pleats may occur from installation but will not affect the performance of the Filter.

## Removal & Installation of the Qwik Lock™ Filter

### Filter Removal:

1. Place fingers under the two Filter Tabs.
2. While pressing down with one thumb on the Qwik Lock™ Stud that protrudes through the center of the Filter Plate, lift up on the Tabs until Filter releases.
3. Slide Filter off Filter Cage.

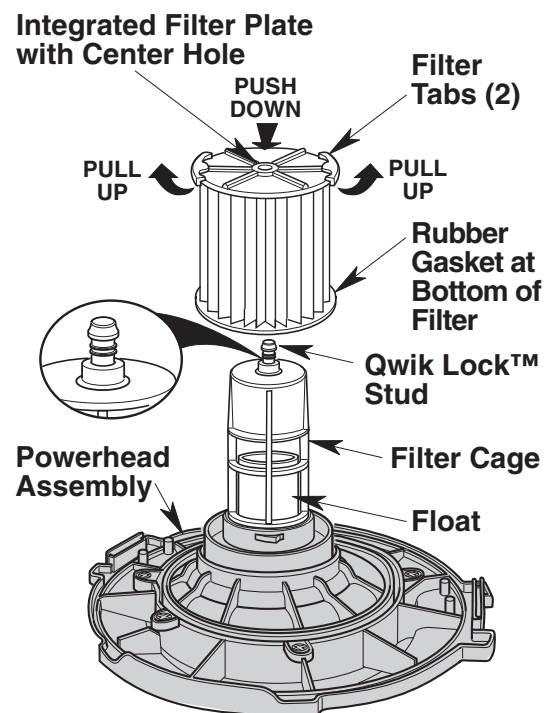
**IMPORTANT:** To avoid Blower Wheel and Motor Damage always reinstall Filter before using Vac for dry pickup.

### Filter Installation:

1. Slide the Qwik Lock™ Filter over the Filter Cage while aligning the Qwik Lock™ Stud on the Filter Cage with the center hole in the Qwik Lock™ Integrated Filter Plate.
2. Make sure the Rubber Gasket at the bottom of the Qwik Lock™ Filter seats around the base of the Filter Cage.
3. Firmly press the Qwik Lock™ Integrated Filter Plate down around the Qwik Lock™ Stud until it snaps into place.

**NOTE:** Failure to properly seat the bottom Gasket and Integrated Filter Plate to the Filter Cage could result in debris bypassing the Filter.

**⚠ WARNING:** Do not operate without filter cage and float, as they prevent liquid from entering the impeller and damaging the motor.



Your Filter should be cleaned often to maintain peak Vac performance.



# MAINTENANCE

---

## Cleaning A Dry Filter

1. Some removal of dry debris can be accomplished without removing the Filter from the Vac. Slap your hand on top of the Lid while the Vac is turned off.
2. For best cleaning results due to accumulated dust, clean the Filter in an open area. Cleaning SHOULD be done outdoors and not in the living quarters.
3. After Filter removal from Vac, remove the dry debris by gently tapping Filter against the inside wall of your Dust Drum. The debris will loosen and fall.
4. For thorough cleaning of Dry Filter with fine dust (no debris), run water through it as described under "Cleaning A Wet Filter".

## Cleaning A Wet Filter

After Filter is removed, run water through the Filter from a hose or spigot. Take care that water pressure from the hose is not strong enough to damage Filter.

**IMPORTANT:** After cleaning, check the Filter for tears or small holes. Do not use a Filter with holes or tears in it. Even a small hole can allow dust to come out of your Vac. Replace it immediately.

Allow the Filter to dry completely before reinstalling and storing the Vac or picking up dry debris.

**▲ WARNING:** To assure product SAFETY and RELIABILITY, any other maintenance, repairs and adjustments should be performed by Authorized Service Centers, always using RIDGID replacement parts.

# REPAIR PARTS

---


## 12 U.S. Gallon (45 Liter) Wet/Dry Vac Model Number RT12000

Electrical Ratings: 120 V 9.0 A 60 Hz

Always order by Part Number - Not by Key Number

### **▲ WARNING**

#### **SERVICING OF DOUBLE-INSULATED WET/DRY VAC**

In a double-insulated Wet/Dry Vac, two systems of insulation are provided instead of grounding. No grounding means is provided on a double-insulated appliance, nor should a means for grounding be added. Servicing a double-insulated Wet/Dry Vac requires extreme care and knowledge of the system, and should be done only by qualified service personnel. Replacement parts for a double-insulated Wet/Dry Vac must be identical to the parts they replace. Your double-insulated Wet/Dry Vac is marked with the words "DOUBLE INSULATED" and the symbol  (square within a square) may also be marked on the appliance.

To reduce the risk of injury from electrical shock, unplug power cord before servicing the electrical parts of the Wet/Dry Vac.

- ▲ WARNING:** To reduce the risk of injury from electrical shock, unplug power cord before servicing the electrical parts of the Wet/Dry Vac.
- ▲ WARNING:** All disassembly and repairs should be performed by qualified personnel.



© 2018 Emerson

Part No. SP7054

Form No. SP7054

Printed in Mexico 08/18

Find Quality Products Online at:

[www.GlobalTestSupply.com](http://www.GlobalTestSupply.com)

[sales@GlobalTestSupply.com](mailto:sales@GlobalTestSupply.com)