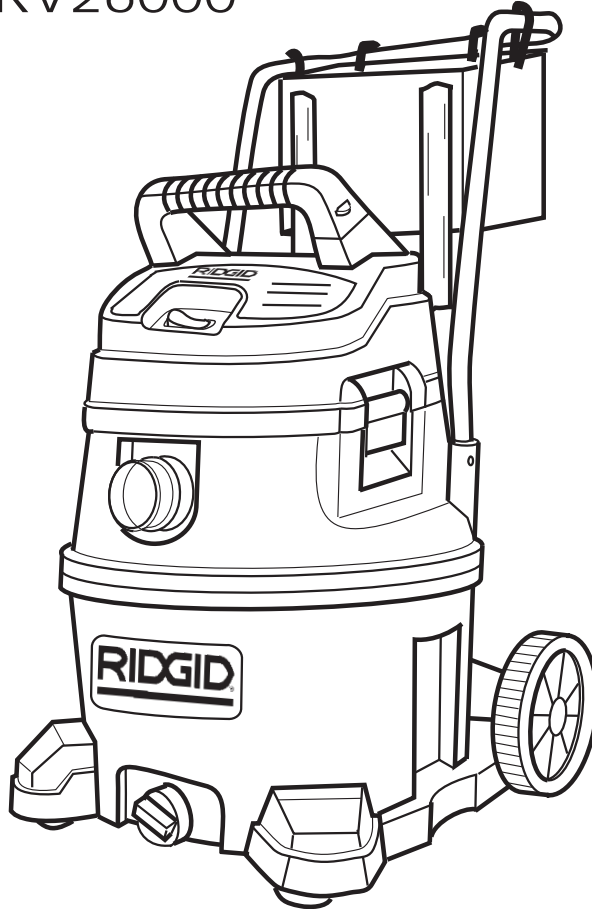


OWNER'S MANUAL

LARGE CAPACITY - 2-STAGE
COMMERCIAL & HOUSEHOLD
WET/DRY VACS

RV24000

RV26000



⚠ WARNING:

To reduce the risk of injury, the user must read and understand the owner's manual before using this product.

Thank you for buying a RIDGID product.

- Español - página 23
- Français - page 45

SAVE THIS MANUAL FOR FUTURE REFERENCE

Part No. SP6729

Printed in Mexico



Table of Contents

Section	Page	Section	Page
Table of Contents	2	Vacuuming Liquids	13
Important Safety Instructions	2	Emptying the Drum	13
Safety Signal Words	2	Moving the Wet/Dry Vac	13
Grounding Instructions	4	Blowing Feature	14
Introduction	5	Accessory Storage	15
Unpacking and Checking	5	Cord Wrap	15
Filter Removal and Installation	8	Maintenance	15
Drum/Caddy Assembly	9	Cleaning & Disinfecting the Wet/Dry Vac	16
Wet/Dry Vac Assembly	11	Repair Parts	18
Operation	12	Warranty	22
Vacuuming Dry Materials	13		

IMPORTANT SAFETY INSTRUCTIONS

Safety is a combination of using common sense, staying alert, and knowing how your Wet/Dry Vacuum cleaner (“Vac”) works.

Safety Signal Words

▲ DANGER: Indicates a hazardous situation which, if not avoided, will result in death or serious injury.

▲ WARNING: Indicates a hazardous situation which, if not avoided, could result in death or serious injury.

▲ CAUTION: Indicates a hazardous situation which, if not avoided, could result in minor or moderate injury.

When using your Vac, always follow basic safety precautions including the following:

▲ WARNING

- To reduce the risk of fire, electric shock, or injury:

- Read and understand this manual and all labels on the Vac before operating.
- Use only as described in this manual.
- Do not leave Vac running while unattended - you may fail to notice important signs indicating abnormal operation such as loss of suction, debris/liquid exiting exhaust, or abnormal motor noises. Immediately stop using Vac if you notice these signs.
- Do not leave Vac when plugged in. Unplug from outlet when not in use and before servicing.
- Sparks inside the motor can ignite flammable vapors or dust. To reduce the risk of fire or explosion, do not use

near combustible liquids, gases, or dusts, such as gasoline or other fuels, lighter fluid, cleaners, oil-based paints, natural gas, coal dust, magnesium dust, grain dust, aluminum dust, or gun powder.

- Do not vacuum anything that is burning or smoking, such as cigarettes, matches, or hot ashes.
- Do not vacuum drywall dust, cold fireplace ash, or other fine dusts with standard filter. These may pass through the filter and be exhausted back into the air. Use a fine dust filter instead.
- To reduce the risk of inhaling toxic vapors, do not vacuum or use near toxic or hazardous materials.
- To reduce the risk of electric shock, do not expose to rain or allow liquid to enter motor compartment. Store indoors.
- Do not allow to be used as a toy. Close attention is necessary when used by or near children.
- Do not use with a torn filter or without the filter installed except when vacuuming liquids as described in this manual. Dry debris ingested by the impeller may damage the motor or be exhausted into the air.
- Turn off Vac before unplugging.
- To reduce the risk of injury from accidental starting, unplug power cord before changing or cleaning filter.
- Do not unplug by pulling on cord. To unplug, grasp the plug, not the cord.
- Do not use with damaged cord, plug or



other parts. If your Vac is not working as it should, has missing parts, has been dropped, damaged, left outdoors, or dropped into water, call customer service.

- Do not pull or carry by cord, use cord as handle, close a door on cord, or pull cord around sharp edges or corners. Do not run Vac over cord. Keep cord away from heated surfaces.
- Do not handle plug, switch, or the Vac with wet hands.
- Use only extension cords that are rated for outdoor use. Extension cords in poor condition or too small in wire size can pose fire and shock hazards. To reduce the risk of these hazards, be sure the cord is in good condition and that liquid does not contact the connection. Do not use an extension cord with conductors smaller than 16 gauge (AWG) in size. To reduce power loss, use a 14 gauge extension cord if 25 to 50 ft. long and 12 gauge for 50 ft. or longer.
- Do not put any object into ventilation openings. Do not vacuum with any ventilation openings blocked; keep free of dust, lint, hair or anything that may reduce air flow.
- Keep hair, loose clothing, fingers, and all parts of body away from openings and moving parts.
- To reduce the risk of falls, use extra care when cleaning on stairs.
- To reduce the risk of back injury or falls, do not lift a Vac that is heavy with liquid or debris. Partially empty the Vac by scooping debris or draining liquid to make it comfortable to lift.
- To reduce the risk of personal injury or damage to Vac, use only Ridgid recommended accessories.
- When using as a blower:
 - Direct air discharge only at work area.
 - Do not direct air at bystanders.
 - Keep children away when blowing.
 - Do not use blower for any job except blowing dirt and debris.
 - Do not use as a sprayer.
 - Wear safety eyewear.
- To reduce the risk of eye injury, wear

safety eyewear. The operation of any utility Vac or blower can result in foreign objects being blown into the eyes, which can result in severe eye damage.

- To reduce the risk of being struck by, or pulled down by, a rolling Vac, block the wheels when using on any uneven or sloped surface.
- Connect to a properly grounded outlet only. See Grounding Instructions.

⚠ CAUTION:

- To reduce the risk of hearing damage, wear ear protectors when using for extended time or in a noisy area.
 - For dusty operations, wear dust mask.
 - Static shocks are common when the relative humidity of the air is low. Vacuuming fine debris with your Vac can deposit static charge on the hose or Vac. To reduce the frequency of static shocks in your home or when using this Vac, add moisture to the air with a humidifier.
-

Observe the following warnings that appear on the motor housing of your Vac:

⚠ WARNING: For your own safety, read and understand owner's manual. Do not run unattended. Do not pick up hot ashes, coals, toxic, flammable or other hazardous materials. Do not use around explosive liquids or vapors.

⚠ WARNING: To reduce the risk of electric shock - do not expose to rain - store indoors.

SAVE THIS MANUAL

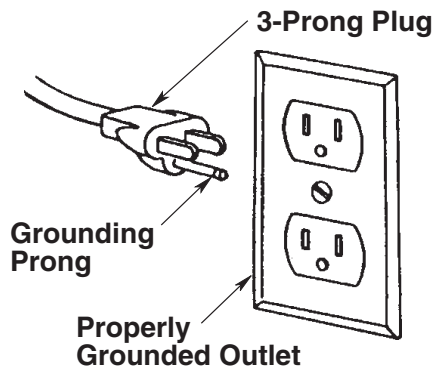
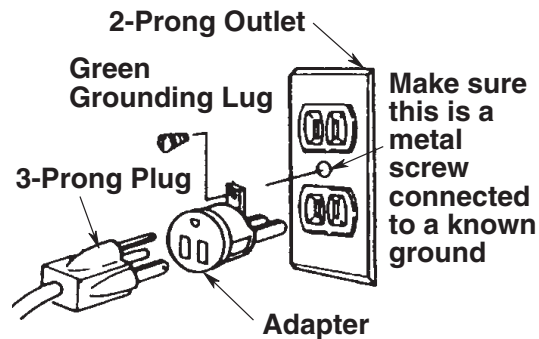


Grounding Instructions

This appliance must be grounded. If it should malfunction or break down, grounding provides a path of least resistance for electric current to reduce the risk of electric shock. This appliance is equipped with a cord having an equipment-grounding conductor and grounding plug. The plug must be inserted into an appropriate outlet that is properly installed and grounded in accordance with all local codes and ordinances.

⚠ WARNING: Improper connection of the equipment grounding conductor can result in a risk of electric shock. Check with a qualified electrician or service person if you are in doubt as to whether the outlet is properly grounded. Do not modify the plug provided with the appliance - if it will not fit the outlet, have a proper outlet installed by a qualified electrician.

This vac is for use on a nominal 120-volt circuit, and has a grounded plug that looks like the plug shown. A temporary adapter that looks like the adapter shown may be used to connect this plug to a 2-pole receptacle, as shown. If a properly grounded outlet is not available, the temporary adapter should only be used until a properly grounded outlet can be installed by a qualified electrician.



The green-colored rigid ear, lug, or the like, extending from the adapter, must be connected to a permanent ground such as a properly grounded outlet box cover. Whenever the adapter is used, it must be held in place by a metal screw.

NOTE: In Canada, the use of a temporary adaptor is not permitted by the Canadian Electrical Code.



Introduction

This Vac is rated for commercial and household use. This Wet/Dry Vac is supplied with a three-layer fine dust filter. It can be used not only to pick up

material like sawdust and gravel but also ultra fine material like drywall dust and cold fireplace ash. These types of materials are so small they would pass through traditional filters.

Unpacking and Checking Carton Contents

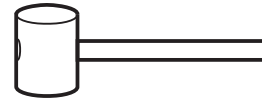
Tools Required



Phillips Screwdriver



Hammer



Mallet

Refer to the assembly sketch for positioning of parts.

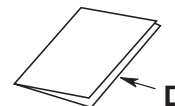
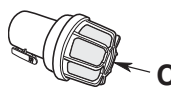
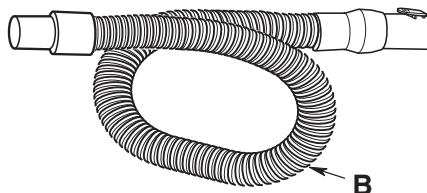
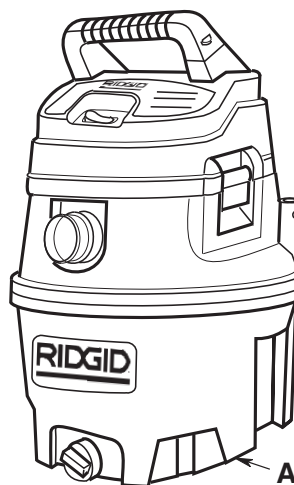
Remove contents of carton. Check each item against the Carton Contents List.



Unpacking and Checking Carton Contents (cont.)

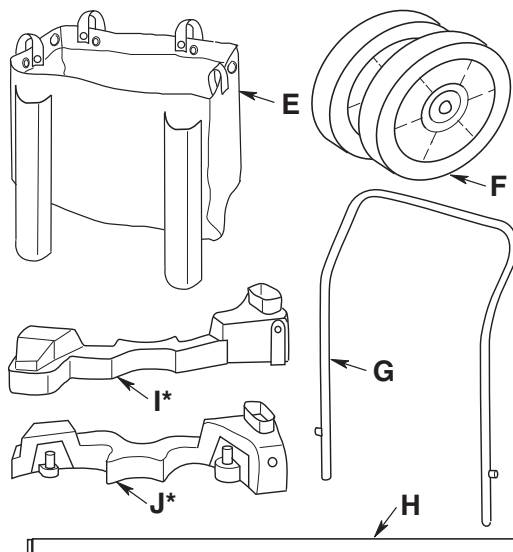
Carton Contents List

Key	Description	Qty
A	Wet/Dry Vac Assembly	1
B	“Tug-A-Long Hose™”	1
C	Muffler/Diffuser	1
D	Owner’s Manual.....	1



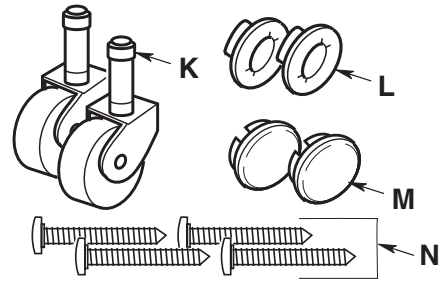
Key	Description	Qty
Carton containing the following parts:		
E	Storage Bag	1
F	8" Wheel	2
G	Metal Handle	1
H	Axle	1
I*	Caddy, Right.....	1
J*	Caddy, Left	1

* These items may come preassembled. If they are not present in the carton check the Wet/Dry Vac assembly to see if they are preassembled.



Unpacking and Checking Carton Contents (cont.)

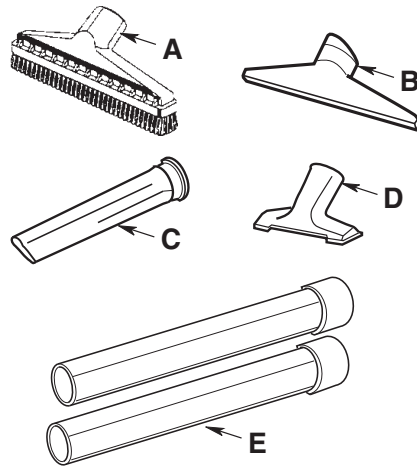
Key	Description	Qty
Bag of Loose Parts - Containing the following:		
K	2" Caster	2
L	1/2" Cap Nut.....	2
M	Wheel Caps	2
N	Screw, Type AB #10 x 1-3/4.....	4



2-1/2" Accessories For Stock Number RV2400A

Carton Contents List

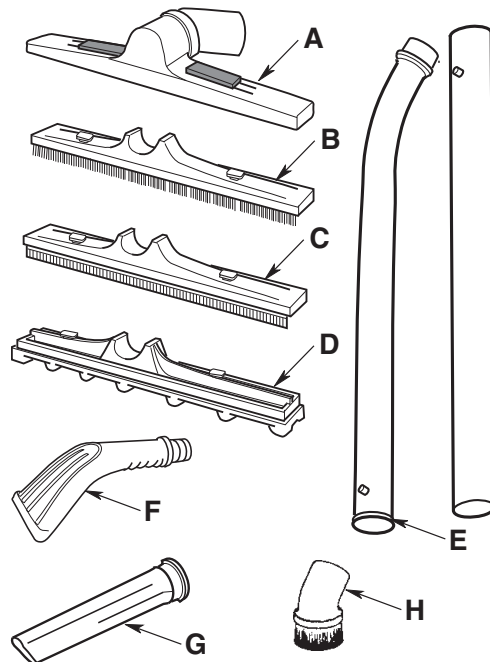
Key	Description	Qty
A	14" Floor Brush	1
B	Wet Nozzle.....	1
C	Crevice Tool	1
D	Utility Nozzle	1
E	Extension Wands	2



1-7/8" Accessories For Stock Number RV2600B

Carton Contents List

Key	Description	Qty
A	Multi-Nozzle Body	1
B	Floor Brush Insert.....	1
C	Squeegee Insert	1
D	Carpet Insert.....	1
E	Extension Wands	2
F	Claw Nozzle	1
G	Crevice Tool	1
H	Dusting Brush	1



Filter Removal and Installation

Removal and Installation of the Qwik Lock™ Filter

Filter Removal:

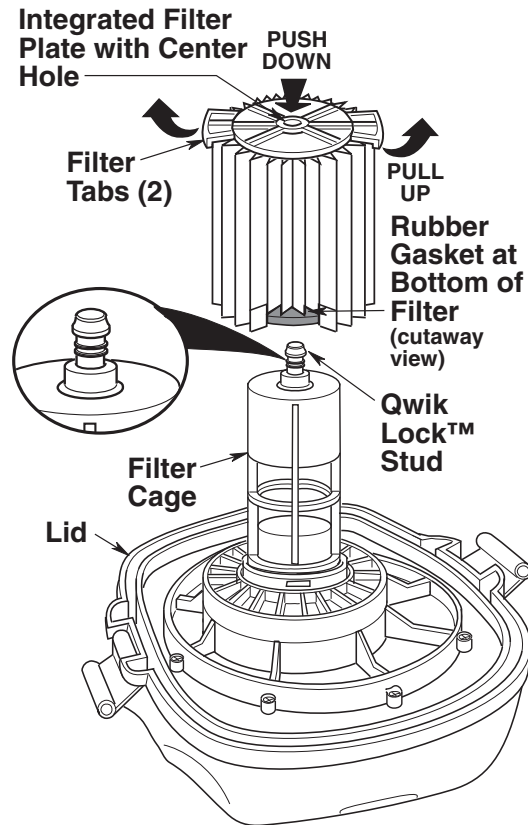
1. Hold the filter tabs of the Qwik Lock™ filter in each hand.
2. With one thumb on the Qwik Lock™ stud, which protrudes through the integrated filter plate, lift up on the filter tabs while pushing down on the stud.
3. This action will cause the filter to release from the filter cage. Slide filter off cage.

Filter Installation:

1. Carefully slide the Qwik Lock™ filter over the filter cage and press down on the outside edge of the filter until the rubber gasket on the bottom of the filter seats securely around the base of the filter cage and against the lid.
2. Align the small center hole in the top of the filter over the Qwik Lock™ stud on the filter cage. Press firmly on top of the filter near the stud to allow the filter to snap over the ball on the end of the stud. The filter is now attached.

NOTE: Failure to properly seat the bottom gasket could result in debris bypassing the filter.

⚠ WARNING: Do not operate without filter cage and float, as they prevent liquid from entering the impeller and damaging the motor.



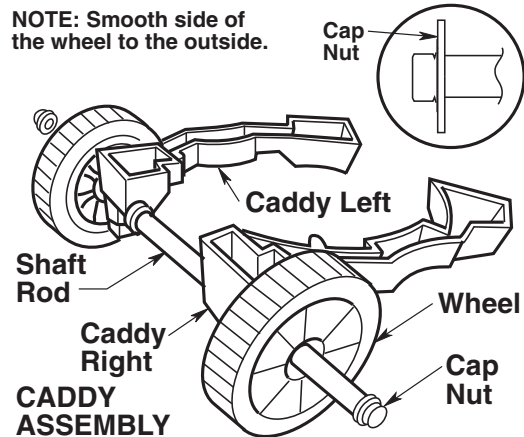
Drum/Caddy Assembly

If any parts are missing or damaged contact Customer Service.

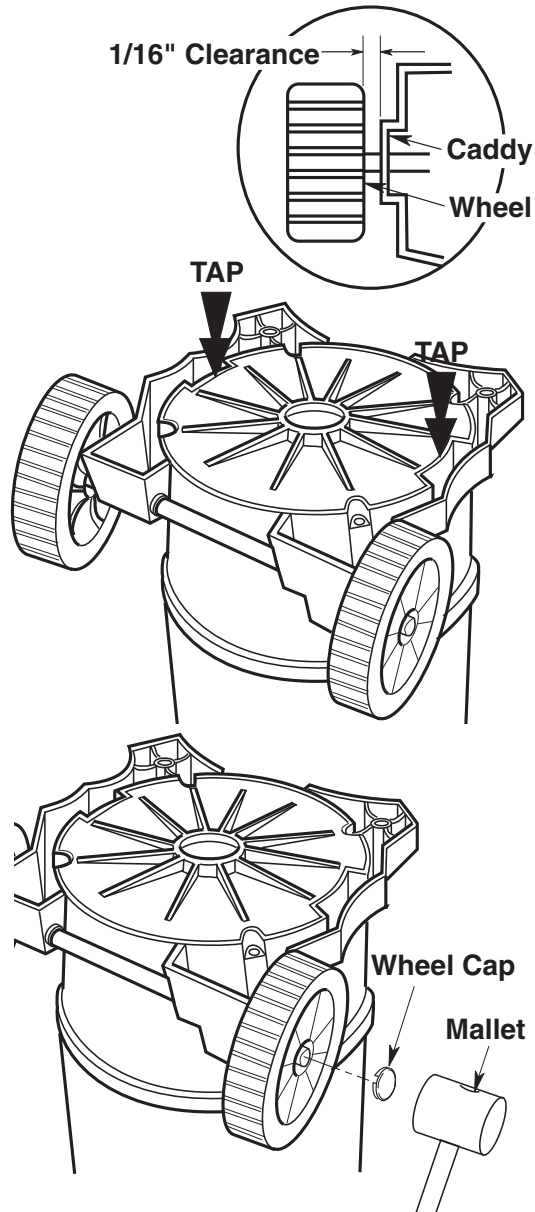
Do not assemble until you have all the parts.

1. Remove left and right caddies from drum.
2. Install cap nut on one side of shaft rod. Tap gently with rubber mallet or hammer until fully seated. Slide open end of shaft through the wheel (smooth side of wheel facing outward).
3. Place wheel/shaft assembly through caddy left and on through the caddy right, as shown.
4. Then place the remaining wheel onto the caddy assembly (smooth side of wheel facing outward), and install second cap nut.
5. Invert drum to install caddy. Place the caddy assembly onto the drum, as shown. Be sure that wheels spin freely, and do not contact the caddies.
6. Once the caddies are aligned on the drum, gently tap each end of each caddy until firmly seated. It is recommended to tap the center portion of the front caddies, as shown.
7. Using a rubber mallet or hammer, gently tap the wheel caps onto each wheel until the wheel caps are firmly seated onto each wheel. This is required on both sides.

NOTE: Smooth side of the wheel to the outside.

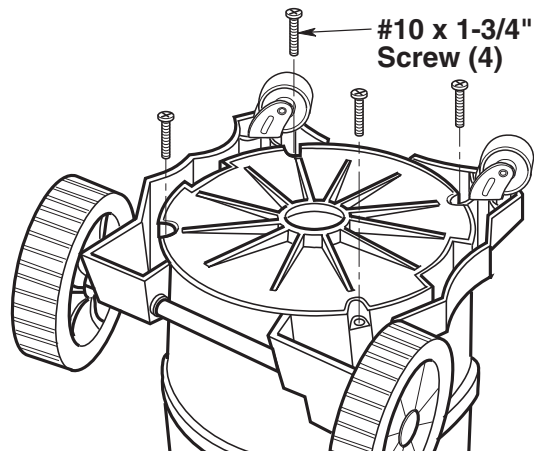
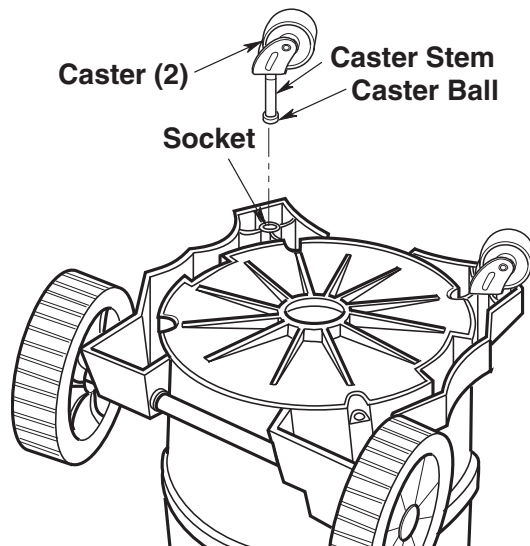


1/16" Clearance



Drum/Caddy Assembly (cont.)

8. Insert the caster stem into the socket of the caster foot as shown. (Front casters only).
9. Push on the caster until the ball on the caster stem is inserted all the way into the socket. You will be able to hear the ball snap into the socket and the caster will swivel easily when positioning is correct.
10. Install (4) #10 x 1-3/4" screws into matching holes on both right and left side of caddy, securing the caddies to the bottom of the drum. Tighten screws until just snug. Do not over tighten the screws, as this may deform the caddies.



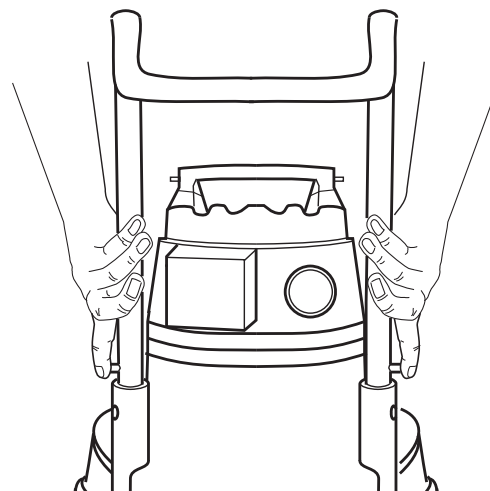
Installing Handle

Press and hold release buttons while installing handle into handle receptacles in drum (See illustration).

NOTE: An audible snap of release buttons indicates successful engagement of handle.

Removing Handle

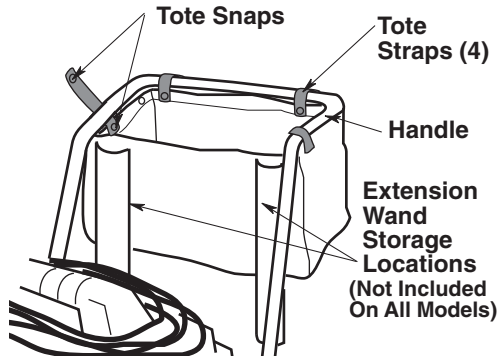
Press and hold release buttons as shown. While firmly pushing in release buttons, pull handle upwards to remove (see illustration).



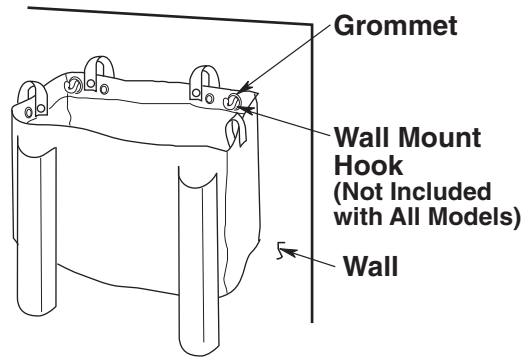
Drum/Caddy Assembly (cont.)

Installing Tool Holder

1. Install tool holder as shown with extension wand holders (not included on all models) facing unit.

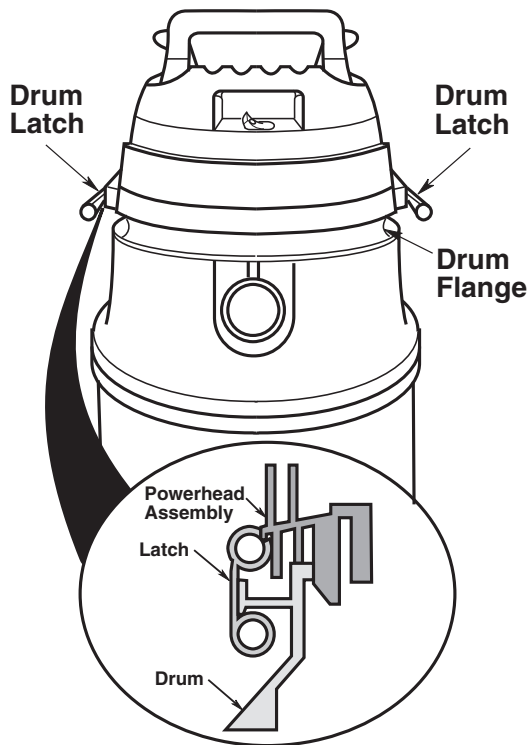


2. As an alternative storage solution, the tool holder may hang on a wall. Two wall mounting hooks (not included with all models) must be secured to the wall as shown (sold separately).



Wet/Dry Vac Assembly

1. Position the powerhead assembly on the drum/caddy assembly as shown (assembled earlier).
2. Rotate both latches down and press until you hear them snap over the flanges on the drum.



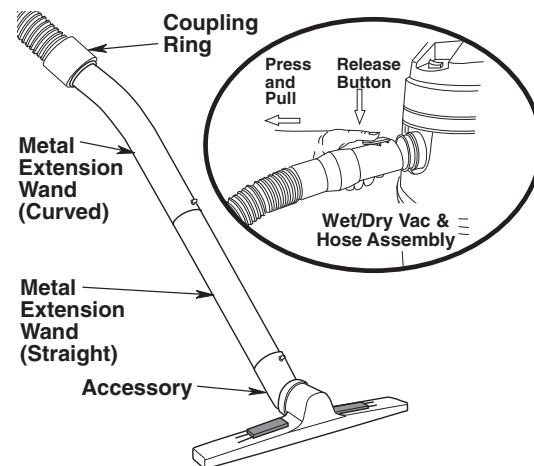
Insert Hose

Insert the push button end of the “Tug-A-Long™” hose into the inlet of the Vac. The hose should snap into place. To remove the hose from the Vac, press the release button in the hose assembly and pull the hose out of the Vac inlet, as shown.

On the RV26000, press the curved metal extension wand into the coupling ring of the hose end.

Join the two metal extension wands, aligning the button and hole so they snap together.

Attach the accessories, aligning the button and hole so they snap together.



Operation

⚠ WARNING: To reduce the risk of fire, explosion, or damage to Vac:

- Do not leave Vac running while unattended - you may fail to notice important signs indicating abnormal operation such as loss of suction, debris/liquid exiting the exhaust, or abnormal motor noises. Immediately stop using Vac if you notice these signs.
- Do not leave Vac plugged in when not in use.
- Do not continue running when float has cut off suction.
- Sparks inside the motor can ignite airborne flammables. Do not operate Vac near flammable liquids or in areas with flammable gases, vapors, or explosive/airborne dust. Flammable liquids, gases, and vapors include: lighter fluid, solvent-type cleaners, oil-based paints, gasoline, alcohol, and aerosol sprays. Explosive dusts include: coal, magnesium, aluminum, grain, and gun powder.
- Do not vacuum up explosive dusts, flammable liquids, or hot ashes.

⚠ WARNING: To reduce the risk of electric shock or injury:

- Do not expose to rain or allow liquid to enter motor compartment. Store indoors.
- Do not handle plug, switch, or Vac with wet hands.
- Unplug Vac before servicing. If your Vac is not working as it should, has missing parts, has been dropped, damaged, left outdoors, or dropped into water, return it to an independent service center or call customer service.
- When using an extension cord, use only outdoor-rated cords that are in good condition. Do not allow the connection to come into contact with liquid.

After you plug the power cord into the outlet, turn the unit on by pushing the switch from position "O" to position "I". The symbols used on the switch actuator are international "On & Off" symbols. "O" is the symbol for "OFF" and "I" is the symbol for "ON".

○ = OFF | = ON

Familiarize yourself with the accessories included with the Vac. Each accessory may be used in various ways for vacuuming and blowing debris. Here is a list of possible accessories and their uses.

1-7/8" Multi-Nozzle Body - Holds floor inserts for specialized cleaning applications: Floor Brush, Squeegee, and Carpet Inserts. To change inserts, slide red tabs to the "open" position and pull insert from the center. Install new insert flush with nozzle body and slide tabs to the "lock" position.

1-7/8" Floor Brush Insert - Used for large area clean-ups on smooth surfaces.

1-7/8" Squeegee Insert - Used for wet pickup on smooth surfaces to pick up liquid and dry the surface in one stroke.

1-7/8" Carpet Insert - Dry and wet pickup nozzle for most upholstery and carpet cleaning.

1-7/8" Claw Nozzle - Use to pick up debris in hard to reach locations.

1-7/8" Dusting Brush - Used for detailed cleaning in small spaces.

Crevice Tool - Use to pick up debris in hard to reach locations.

Muffler/Diffuser - Use to disperse the exhaust air stream while reducing noise. Insert into the blowing port.

Extension Wands - These wands can be connected together and provides additional length for more reach.

Operation (cont.)

Hose - Provides transfer of vacuum or blowing capability to work site. Provides the means of attaching extension wands and nozzles.

2-1/2" Utility Nozzle - General purpose nozzle for most vacuuming applications.

2-1/2" Wet Nozzle - Used for wet pickup on smooth surfaces to pick up liquid and dry the surface in one stroke.

2-1/2" Floor Brush - Used for large area clean-ups on smooth surfaces.

predetermined level, the float mechanism will rise automatically to cut off air-flow. When this happens, turn off the Vac, unplug the power cord, and empty the drum. You will know that the float has risen because Vac airflow ceases and the motor noise will become higher in pitch, due to increased motor speed.

IMPORTANT: To reduce the risk of damage to the Vac do not run motor with float in raised position.

Vacuuming Dry Materials

1. The filter must always be in correct position to reduce the risk of leaks and possible damage to Vac.
2. Your Wet/Dry Vac comes with the VF5000 Filter installed. When using your Vac to pick up very fine dust, it will be necessary for you to empty the drum and clean the filter at more frequent intervals to maintain peak Vac performance.

NOTE: A dry filter is necessary to pick up dry material. If you use your Vac to pick up dust when the filter is wet, the filter will clog quickly and be very difficult to clean.

Emptying the Drum

⚠ WARNING: To reduce the risk of injury from accidental starting, unplug power cord before emptying the drum.

⚠ WARNING: To reduce the risk of back injury or falls, do not lift a Vac heavy with liquid or debris. Scoop or drain enough contents out to make the Vac light enough to lift comfortably.

Vacuuming Liquids

IMPORTANT:

1. When picking up small amounts of liquid the filter may be left in place.
2. When picking up large amounts of liquid the filter should be removed. With the filter removed, the float mechanism activates to prevent water from entering the motor blower housing. If the filter is not removed, water could enter the motor blower housing which could overload and damage the motor.
3. After using the Vac to pick up liquids, the filter must be dried to reduce the risk of possible mildew and damage to the filter.
4. When the liquid in the drum reaches a

1. The Vac comes equipped with a drain for easy emptying of liquids. Simply unscrew the drain cap and lift the opposite side slightly to empty the drum.
2. Another option is to remove the powerhead assembly.
3. Lay powerhead assembly aside on a clean area while emptying drum.
4. Dump the drum contents into the proper waste disposal container.

Moving the Wet/Dry Vac

Should it become necessary to pick the Vac up to move it, the handle on the sides of the dust drum are used to lift. To maneuver the Vac, the push/pull handle in the rear of the unit should be used.

Operation (cont.)

Blowing Feature

Your Vac features a blowing port. It can blow sawdust and other debris. Follow the steps below to use your Vac as a blower.

1. Locate blowing port of your Vac.

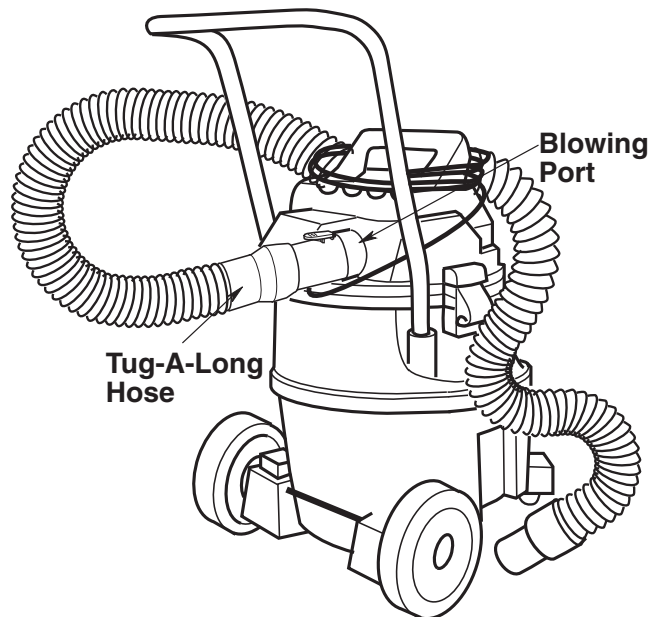
⚠ WARNING: Always wear safety eyewear complying with ANSI Z87.1 (or in Canada, CSA Z94.3) before using as a blower.

⚠ WARNING: To reduce the risk of injury to bystanders, keep them clear of blowing debris.

⚠ CAUTION: Wear a dust mask if blowing creates dust which might be inhaled.

⚠ CAUTION: To reduce the risk of hearing damage, wear ear protectors when using the Vac/Blower for extended time or in a noisy area.

2. Insert the locking end of the “Tug-A-Long™” hose into the blowing port of the Vac. The hose should snap into place. To remove the hose from the Vac, press the release button in the hose assembly and pull the hose out of the Vac inlet.
3. (Optional) Attach extension wand to opposite end of hose.
4. Turn Vac on and you are ready to use your Vac as a blower.

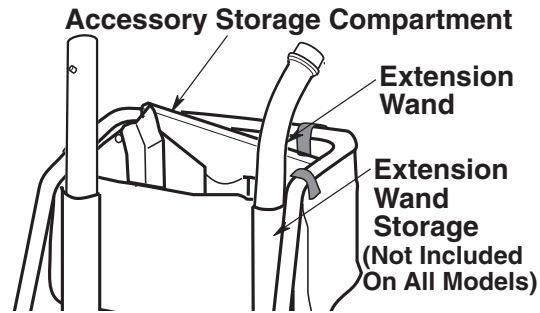


Accessory Storage

Your accessories may be stored in the removable tote, or in the two locations on the caddy right/left. The hose may be stored by wrapping it around the unit and placing each end into the two areas marked Hose Storage.

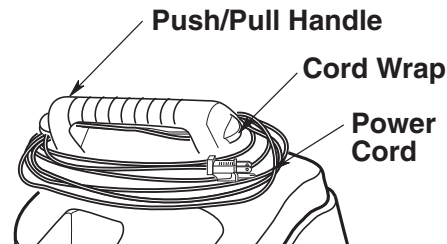
NOTE: Insert male end of extension wand into the holder sleeve (not included on all models) as shown.

The hose may be stored by wrapping it around the unit and plugging the open end into one of the storage locations on the caddy assembly.



Cord Wrap

When vacuuming is complete, unplug the cord and wrap it around the power assembly as shown. The cord should wrap under the pull handle (above the inlet) and around and under the cord wrap of the motor cover.



Maintenance

Filter

RV24000/RV26000 Wet/Dry Vacs are supplied with RIDGID's Three-Layer Qwik Lock™ Filter. Replacement Three-Layer Qwik Lock™ Filters are available where you purchased your Vac. Ask for the RIDGID Three-Layer Qwik Lock™ Filter VF5000.

NOTE: The filter is made of high quality paper designed to stop very small particles of dust. The filter can be used for wet or dry pick up. Handle the filter carefully when removing to clean or installing it. Creases in the filter pleats may occur from installation but not affect the performance of the filter.

Removal

See "Filter Removal and Installation" section on page 8 for filter removal instructions.

⚠ WARNING: Do not operate without filter cage and float, as they prevent liquid from entering the impeller and damaging the motor.

IMPORTANT: To avoid damage to the blower wheel and motor, always reinstall the filter before using the Vac for dry material pick-up.

Dry Filter

NOTE: For best cleaning results due to accumulated dust, clean the filter in an open area. Cleaning SHOULD be done outdoors and not in the living quarters.

1. Remove filter from Vac. Gently tap filter against the inside wall of your dust drum. The debris will loosen and fall.
2. For thorough cleaning of dry filter with fine dust (no debris), run water through it as described under "Wet Filter".

Maintenance (cont.)

Wet Filter

After filter is removed, run water through the filter from a hose or spigot. Take care that water pressure from the hose is not strong enough to damage filter.

IMPORTANT: After cleaning, check the filter for tears or small holes. Do not use a filter with holes or tears in it. Even a small hole can cause a lot of dust to come out of your Vac. If damaged, replace filter immediately.

Installation

Refer to "Filter Removal and Installation" Section of this manual.

Allow the filter to dry before reinstalling and storing the Vac.

Cleaning and Disinfecting the Wet/Dry Vac

To keep your Wet/Dry Vac looking its best, clean the outside with a cloth dampened with warm water and mild soap.

To clean the drum:

1. Dump debris out.
2. Wash drum thoroughly with warm water and mild soap.
3. Wipe out with dry cloth.

Before prolonged storage or as needed (i.e., waste water pick up) the drum should be disinfected.

To disinfect the drum:

1. Pour 1 gallon of water and 1 teaspoon chlorine bleach into the drum.
2. Let solution stand for 20 minutes, carefully swishing every few minutes, making sure to wet all inside surfaces of the drum.
3. Empty drum after 20 minutes. Rinse with water until bleach smell is gone. Allow drum to dry completely before sealing the motor on the drum.

Cord Maintenance

When vacuuming is complete, unplug the cord and wrap it around the motor cover. If the power cord is damaged, it must be replaced by the manufacturer or their service agent or by similarly qualified personnel to reduce the risk of accident.

Storage

Before storing your Vac, the drum should be emptied and cleaned. The cord should be wrapped around the unit and the hose should be stored as described in this manual. Accessories should be kept in the same area as the Vac so they can be readily available. The Vac should be stored indoors.

Casters and Wheels

Should your cart squeak or become hard to roll, you should place two or three drops of general purpose oil on each wheel at the axle. If your casters are noisy, you may put a drop of oil on the roller shaft to make them quieter.

Frame and Handles

Your metal handle is painted to prevent rust, however, liquids and corrosive debris should be wiped off with a soft cloth should they come in contact with the handle.

⚠ WARNING: To assure product SAFETY and RELIABILITY, repairs and adjustments should be performed by Authorized Service Centers, always using RIDGID replacement parts.

Repair Parts

14 & 16 Gallon Wet/Dry Vac Stock Numbers RV2400A (Model RV24000) or RV2600B (Model RV26000)

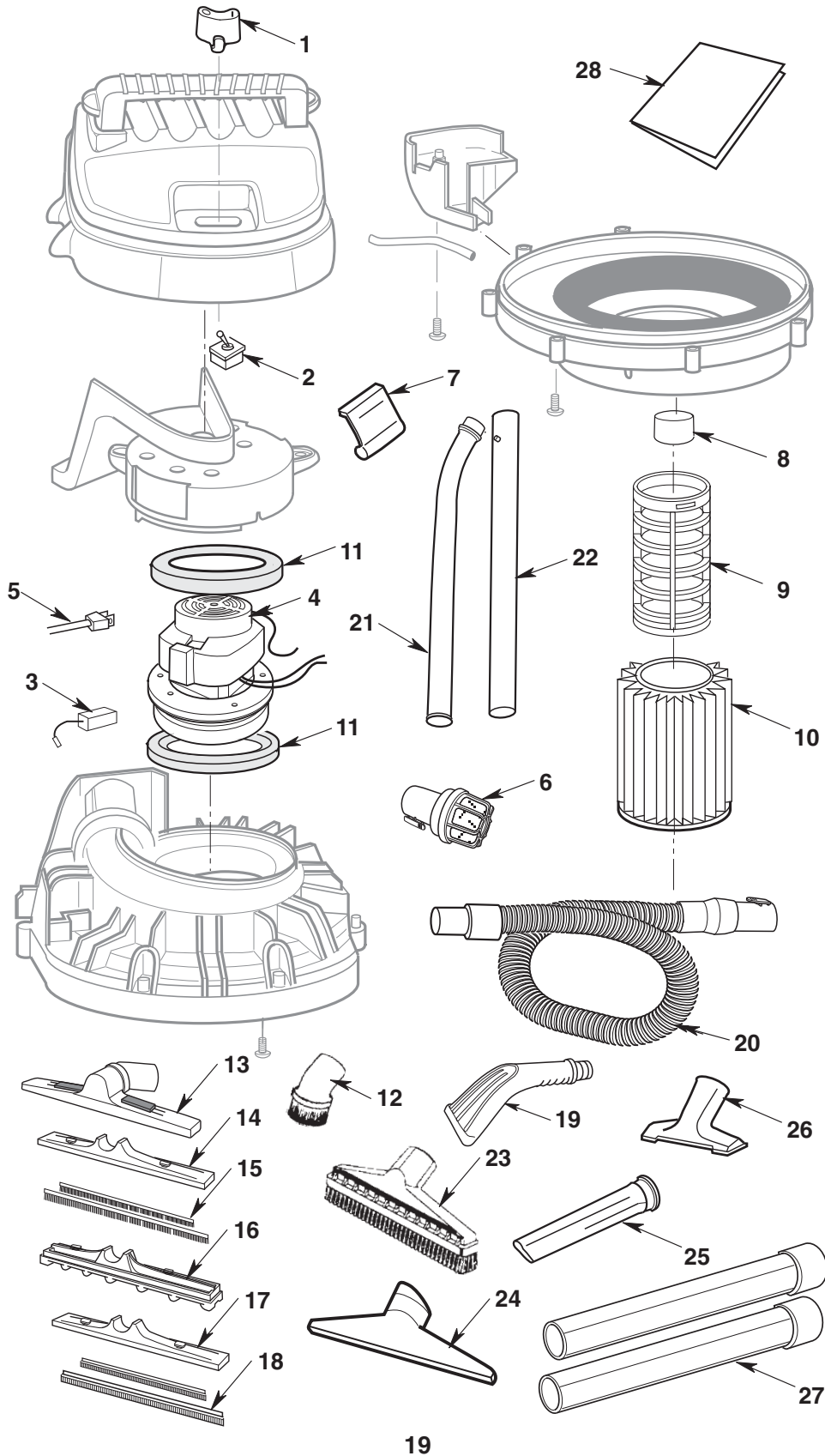
RIDGID parts are available through the local RIDGID distributor

Always order by Part Number - Not by Key Number

▲ WARNING: To reduce the risk of injury from electrical shock, unplug power cord before servicing the electrical parts of the Wet/Dry Vac.

Key No.	RV2400A Part No.	RV2600B Part No.	Description
1	830564	830564	Actuator, Switch
2	73180	73180	Switch, Toggle
3	822374-8	822374-8	Motor Brush
4	831567	831567	Motor Assembly
5	831657	831657	Cord Assembly
6	VT2525	VT2525	Muffler/Diffuser
7	826387	826387	Drum Latch
8	509488	509488	Float
9	823201-3	823201-3	Filter Cage
10	VF5000	VF5000	Qwik Lock™ Three-Layer Filter
11	827415	827415	Motor Gaskets (2)
12	—	VT1785	Dusting Brush
13	—	832077	Multi-Nozzle Body
14	—	832079	Floor Brush Insert
15	—	832212	Replacement Floor Brush Inserts (set of long & short brushes)
16	—	832080	Carpet Insert
17	—	832078	Squeegee Insert
18	—	832213	Replacement Squeegee Inserts (set of long & short rubber squeegees)
19	—	831451	Claw Nozzle
20	831337-7	831337-6	Tug-A-Long Hose
21	—	832068	Extension Wand Upper (metal)
22	—	832069	Extension Wand Lower (metal)
23	VT2514	—	Floor Brush
24	VT2510	—	Wet Nozzle
25	VT2502	VT1786	Crevice Tool
26	VT2509	—	Utility Nozzle
27	VT2508	—	Extension Wands
28	SP6729	SP6729	Owner's Manual

Repair Parts (continued)



Repair Parts

14 & 16 Gallon Wet/Dry Vac Stock Numbers RV2400A (Model RV24000) or RV2600B (Model RV26000)

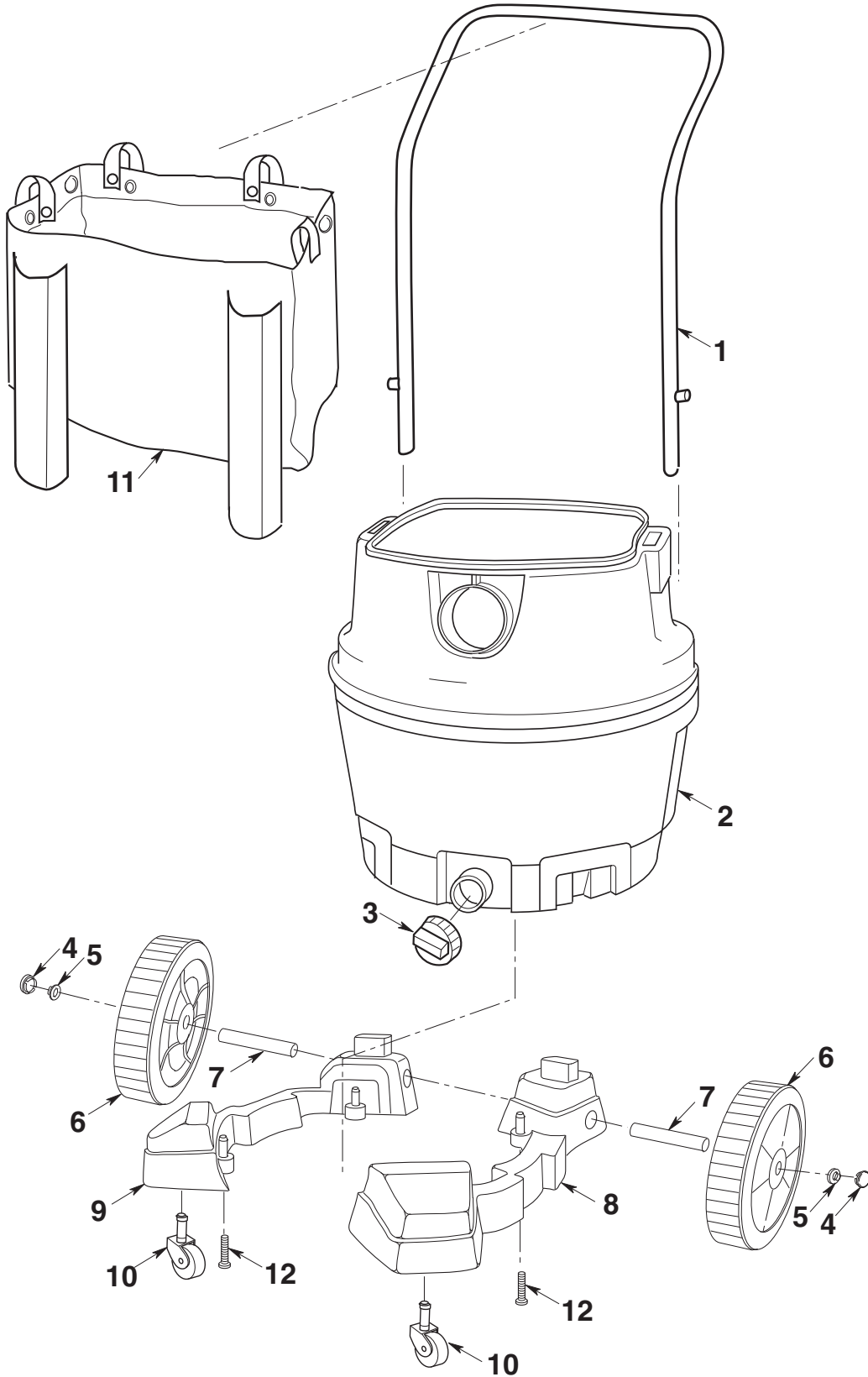
RIDGID parts are available through the local RIDGID distributor

Always order by Part Number - Not by Key Number

▲ WARNING: To reduce the risk of injury from electrical shock, unplug power cord before servicing the electrical parts of the Wet/Dry Vac.

Key No.	RV2400A Part No.	RV2600B Part No.	Description
1	830686	830686	Handle
2	830683-1	830683	Dust Drum Assembly
3	73185	73185	Drain Cap
4	830611	830611	Wheel Cap
5	813836-1	813836-1	Cap Nut 1/2"
6	830682	832190	8" Wheel Assembly (Includes Key No. 4 and 5)
7	831024	831024	Shaft
8	830576	830576	Caddy, Right
9	830577	830577	Caddy, Left
10	832123	832123	Caster
11	830597-2	831668-1	Tote
12	820563-5	820563-5	Screw Type "AB" #10 x 1-3/4"
13	509944	509944	Bag of Loose Parts (Not Illustrated) (Includes Key No. 4, 5, 10 and 12)

Repair Parts (continued)






- **What is covered**

RIDGID® Wet/Dry Vacs are warranted to be free of defects in workmanship and material.

- **How long coverage lasts**

This warranty lasts for the lifetime of the RIDGID® Wet/Dry Vac.

- **How to obtain service**

To obtain the benefit of this warranty, deliver via prepaid transportation the complete product to RIDGE TOOL COMPANY, Elyria, Ohio, or any authorized RIDGID® INDEPENDENT SERVICE CENTER. Pipe wrenches and other hand tools should be returned to the place of purchase.

- **What we will do to correct problems**

Warranted Wet/Dry Vacs will be repaired or replaced, at Ridge Tool Company's option, and returned at no charge; or, if after three attempts to repair or replace during the warranty period the Wet/Dry Vac is still defective, you can elect to receive a full refund of your purchase price.

- **What is not covered**

Failures due to misuse, abuse or normal wear and tear are not covered by this warranty. **RIDGE TOOL COMPANY SHALL NOT BE RESPONSIBLE FOR ANY INCIDENTAL OR CONSEQUENTIAL DAMAGES.**

- **How local laws relate to the warranty**

Some states do not allow the exclusion or limitation of incidental or consequential damages, so the above limitation or exclusion may not apply to you. This warranty gives you specific rights, and you may also have other rights which vary from state to state, province to province, or country to country.

- **No other express warranty applies**

This FULL LIFETIME WARRANTY is the sole and exclusive warranty for RIDGID® Wet/Dry Vacs. No employee, agent, dealer, or other person is authorized to alter this warranty or make any other warranty on behalf of Ridge Tool Company.

Stock No. RV2400A or RV2600B

Model No. RV24000 or RV26000

Model and serial number may be found near the blowing port. You should record both model and serial numbers in a safe place for future use.



EMERSON™

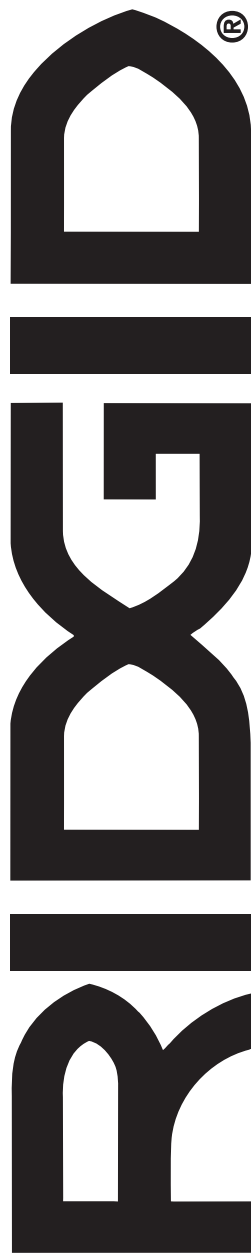
Commercial & Residential Solutions

© 2012 Emerson

Part No. SP6729

Form No. SP6729-1

Printed in Mexico 12/12

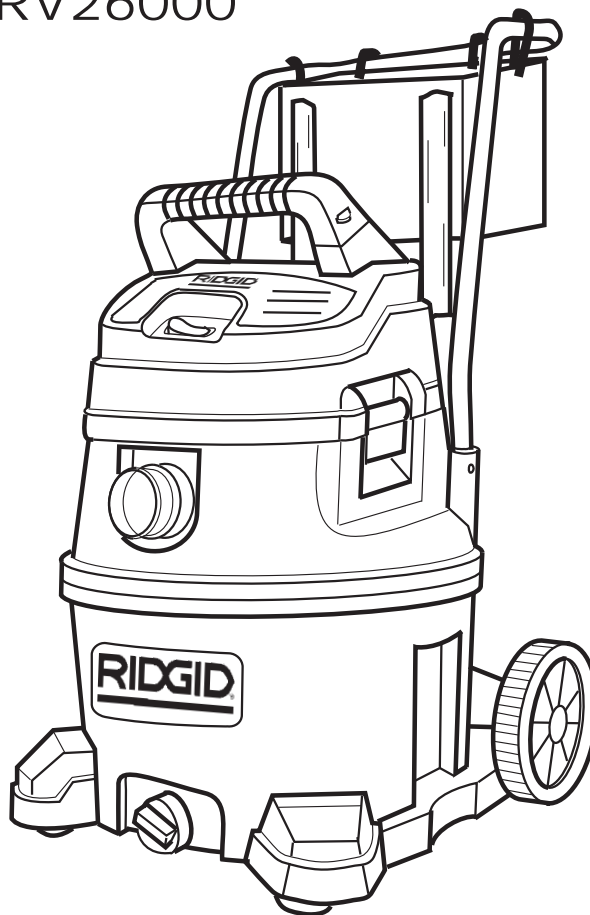


MANUAL DEL USUARIO

ASPIRADORAS PARA MOJADO/SECO
DE 2 ETAPAS DE GRAN CAPACIDAD
PARA USO COMERCIAL Y DOMÉSTICO

RV24000

RV26000



¿PREGUNTAS O COMENTARIOS? COMUNÍQUESE CON NOSOTROS EN

⚠ ADVERTENCIA:

Para reducir el riesgo de lesiones, el usuario debe leer y entender el manual del operador antes de utilizar este producto.

Gracias por comprar un producto RIDGID.

• Français - page 45

GUARDE ESTE MANUAL PARA REFERENCIA FUTURA

No. de pieza SP6729

Impreso en México



Índice

Sección	Página	Sección	Página
Índice.....	24	Recogida de líquidos con la aspiradora.....	35
Instrucciones de seguridad importantes.....	24	Vaciado del tambor.....	35
Palabras de señal de seguridad.....	24	Traslado de la aspiradora para mojado/seco.....	35
Instrucciones de conexión a tierra.....	26	Dispositivo de soplado.....	36
Introducción.....	27	Almacenamiento de accesorios.....	37
Desempaquetado y comprobación.....	27	Enrollado del cordón.....	37
Remoción e instalación del filtro.....	30	Mantenimiento.....	37
Ensamblaje del tambor/base de soporte.....	31	Limpieza y desinfección de la aspiradora	
Ensamblaje de la aspiradora para mojado/seco.....	33	para mojado/seco.....	38
Funcionamiento.....	34	Piezas de repuesto.....	40
Recogida de materiales secos con la aspiradora.....	35	Garantía.....	44

INSTRUCCIONES DE SEGURIDAD IMPORTANTES

La seguridad es una combinación de sentido común, permanecer alerta y saber cómo funciona la aspiradora para mojado/seco (“la aspiradora”).

Palabras de señal de seguridad

▲ PELIGRO: indica una situación peligrosa que, si no se evita, causará la muerte o lesiones graves.

▲ ADVERTENCIA: indica una situación peligrosa que, si no se evita, podría causar la muerte o lesiones graves.

▲ PRECAUCIÓN: indica una situación peligrosa que, si no se evita, pudiera causar lesiones leves o moderadas.

Cuando utilice la aspiradora, siga siempre las precauciones básicas de seguridad, incluyendo las siguientes:

▲ ADVERTENCIA – Para reducir el riesgo de incendio, sacudidas eléctricas o lesiones:

- Lea y entienda este manual y todas las etiquetas que están colocadas en la aspiradora antes de utilizarla
- Utilice la aspiradora únicamente de la manera que se describe en este manual.
- No deje la aspiradora en marcha mientras esté desatendida. Usted podría no notar señales importantes que indiquen un funcionamiento anormal, tal como pérdida de succión, residuos o líquido que salen por el escape o ruidos anormales del motor. Deje de usar la aspiradora inmediatamente si observa estas señales.
- No abandone la aspiradora cuando esté enchufada. Desenchúfela del tomacorriente cuando no la esté utilizando y antes de realizar servicio de revisión.
- Las chispas que se producen en el interior del motor pueden incendiar los vapores inflamables o el polvo. Para reducir el riesgo de incendio o explosión: No use la aspiradora cerca de líquidos, gases, o polvos combustibles como gasolina u otros combustibles, líquido encendedor, limpiadores, pinturas a base de aceite, gas natural, hidrógeno, polvo de carbón, polvo de magnesio, polvo de aluminio, polvo de granos de cereal o pólvora.
- No recoja con la aspiradora nada que esté ardiendo o humeando, como cigarrillos, fósforos o cenizas calientes.
- No recoja con la aspiradora polvo de pared de tipo seco ni hollín frío o ceniza fría de chimenea con un filtro estándar. Estos materiales pueden pasar por el filtro y pueden ser expulsados de vuelta al aire. Utilice un filtro para polvo fino en lugar de un filtro estándar.
- Para reducir el riesgo de inhalar vapores tóxicos, no recoja con la aspiradora materiales tóxicos o peligrosos ni la use cerca de dichos materiales.
- Para reducir el riesgo de descargas eléctricas, no exponga la aspiradora a la lluvia ni deje que entren líquidos en el compartimiento del motor. Guarde la aspiradora en un lugar interior.
- No permita que la aspiradora se utilice como un juguete. Se necesita prestar máxima atención cuando sea utilizada por niños o cerca de éstos.
- No use la aspiradora con un filtro desgarrado o sin tener el filtro instalado, excepto cuando recoja con ella líquidos de la manera que se describe en este manual. Los residuos secos absorbidos por el impulsor podrían dañar el motor o ser expulsados de vuelta al aire.
- Apague la aspiradora antes de desenchufarla.
- Para reducir el riesgo de lesiones debidas a un arranque accidental, desenchufe el cordón de energía antes de cambiar o limpiar el filtro.
- No desenchufe la aspiradora tirando del cordón. Para desenchufarla, agarre el enchufe y no el cordón.
- No use la aspiradora con el cordón dañado, el enchufe dañado u otras piezas dañadas. Si la aspiradora no funciona como debe, le faltan piezas,



se ha caído, ha sido dañada, se ha dejado a la intemperie o se ha caído al agua, devuélvala a un Centro de Servicio autorizado.

- No tire de la aspiradora usando el cordón ni la lleve por el cordón, ni use el cordón como asa, ni cierre una puerta sobre el cordón, ni tire del cordón alrededor de bordes o esquinas afilados. No pase la aspiradora en marcha sobre el cordón. Mantenga el cordón alejado de las superficies calientes.
- No maneje el enchufe, el interruptor o la aspiradora con las manos mojadas.
- Utilice únicamente cordones de extensión que tengan capacidad nominal para uso a la intemperie. Los cordones de extensión que estén en malas condiciones o tengan un tamaño de alambre demasiado pequeño pueden crear peligros de incendio y descargas eléctricas. Para reducir el riesgo de estos peligros, asegúrese de que el cordón esté en buenas condiciones y que el líquido no entre en contacto con la conexión. No utilice un cordón de extensión que tenga conductores con un diámetro menor al calibre 16 (AWG). Para reducir la pérdida de potencia, utilice un cordón de extensión de calibre 14 si la longitud es de 25 a 50 pies, y de calibre 12 si la longitud es de 50 pies o más.
- No ponga ningún objeto en las aberturas de ventilación. No recoja nada con la aspiradora cuando cualquiera de las aberturas de ventilación esté bloqueada; mantenga dichas aberturas libres de polvo, pelusa, pelo o cualquier cosa que pueda reducir el flujo de aire.
- Mantenga el pelo, la ropa holgada, los dedos y todas las partes del cuerpo alejados de las aberturas y de las piezas móviles.
- Para reducir el riesgo de caídas, tenga cuidado adicional al limpiar en escaleras.
- Para reducir el riesgo de lesiones de espalda o caídas, no levante una aspiradora que pese mucho debido a que contiene líquido o residuos. Saque parte del contenido de la aspiradora o drénela parcialmente para hacer que sea lo suficientemente liviana como para poder levantarla cómodamente.
- Para reducir el riesgo de lesiones corporales o daños a la aspiradora, utilice únicamente accesorios recomendados por Ridgid.
- Cuando utilice la aspiradora como soplador:
 - Dirija la descarga de aire solamente hacia el área de trabajo.
 - No dirija el aire hacia las personas que estén presentes.
 - Mantenga alejados a los niños durante la operación de soplado.

- No utilice el soplador para trabajos que no sean soplar suciedad y residuos.
- No use la aspiradora como rociador.
- Use protección ocular de seguridad.
- Para reducir el riesgo de lesiones en los ojos, use protección ocular de seguridad. La utilización de cualquier aspiradora utilitaria o soplador utilitario puede hacer que se soplen objetos extraños hacia los ojos, lo cual puede causar daños graves en los ojos.
- Para reducir el riesgo de que una aspiradora rodante le golpee o tire de usted, bloquee las ruedecillas cuando utilice la unidad en cualquier superficie desigual o en pendiente.
- Conecte la aspiradora solamente a un tomacorriente conectado a tierra adecuadamente. Consulte las instrucciones de conexión a tierra.

⚠ PRECAUCIÓN:

- Para reducir el riesgo de daños a la audición, use protectores de oídos cuando utilice la aspiradora durante muchas horas seguidas o cuando la emplee en un área ruidosa.
- Para operaciones que generan polvo, use una máscara antipolvo.
- Las descargas de estática son comunes cuando la humedad relativa del aire es baja. Si recoge residuos finos con la aspiradora, se puede depositar carga estática en la manguera o en la aspiradora. El mejor remedio para reducir la frecuencia de las descargas de estática en su casa o cuando use esta aspiradora es añadir humedad al aire con un humidificador.

Siga las siguientes advertencias que aparecen en la caja del motor de la aspiradora.

⚠ ADVERTENCIA: Para su propia seguridad, lea y entienda el manual del operador. No tenga en marcha la aspiradora desatendida. No recoja cenizas calientes, carbón caliente, materiales tóxicos ni inflamables ni otros materiales peligrosos. No use la aspiradora alrededor de líquidos o vapores explosivos.

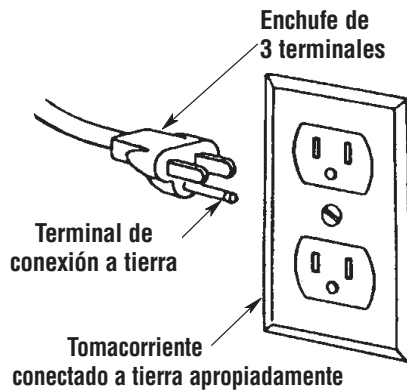
⚠ ADVERTENCIA: Para reducir el riesgo de sacudidas eléctricas, no exponga la aspiradora a la lluvia y almacénela en interiores.

GUARDE ESTE MANUAL

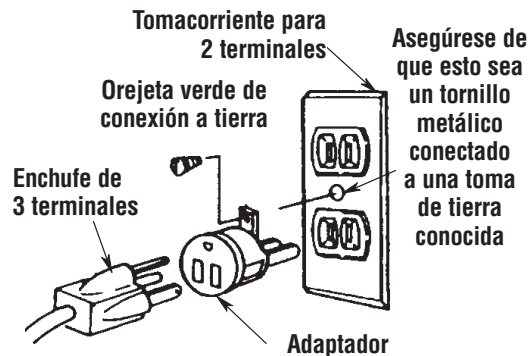
Instrucciones de conexión a tierra

Este electrodoméstico se debe conectar a tierra. En caso de mal funcionamiento o avería, la conexión a tierra proporciona una ruta de resistencia mínima para la corriente eléctrica con el fin de reducir el riesgo de sacudidas eléctricas. Este electrodoméstico está equipado con un cordón que tiene un conductor de conexión a tierra del equipo y un enchufe de conexión a tierra. El enchufe debe introducirse en un tomacorriente apropiado que esté instalado correctamente y conectado a tierra adecuadamente, de acuerdo con todos los códigos y ordenanzas locales.

⚠ ADVERTENCIA: La conexión incorrecta del conductor de conexión a tierra del equipo puede causar un riesgo de sacudidas eléctricas. Consulte a un electricista calificado o a una persona de servicio competente si tiene dudas sobre si el tomacorriente está conectado a tierra apropiadamente. No modifique el enchufe suministrado con el electrodoméstico. Si el enchufe no cabe en el tomacorriente, haga que un electricista calificado instale un tomacorriente apropiado.



Este electrodoméstico está diseñado para utilizarse en un circuito de 120 V nominales y tiene un enchufe conectado a tierra que tiene un aspecto como el del enchufe que se muestra en la ilustración. Se puede utilizar un adaptador temporal, que tenga un aspecto como el del adaptador que se muestra en la ilustración, para conectar este enchufe a un receptáculo de dos polos, de la manera que se muestra en la ilustración, si no se dispone de un tomacorriente conectado a tierra apropiadamente. El adaptador temporal debe utilizarse únicamente hasta que un electricista calificado pueda instalar un tomacorriente conectado a tierra apropiadamente.



La orejeta, lengüeta o pieza similar rígida de color verde que sobresale del adaptador se debe conectar a una toma de tierra permanente, como por ejemplo una tapa de caja tomacorriente conectada a tierra apropiadamente. Siempre que se utilice el adaptador, se debe sujetar en la posición correcta con un tornillo metálico.

NOTA: En Canadá, el uso de un adaptador temporal no está permitido por el Código Eléctrico Canadiense.



Introducción

Esta aspiradora para mojado/seco tiene capacidad para uso comercial y doméstico. Esta aspiradora para mojado/seco se suministra con un filtro de tres capas para polvo fino. La aspiradora se puede utilizar no sólo para recoger material como aserrín

y grava, sino también material ultrafino como polvo de panel de yeso y cenizas de chimenea frías. Estos tipos de materiales son tan pequeños que pasarían a través de los filtros tradicionales.

Desempaquetado y comprobación del contenido de la caja de cartón

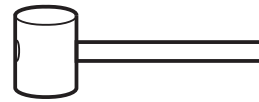
Herramientas necesarias



Destornillador Phillips



Martillo



Mazo

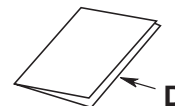
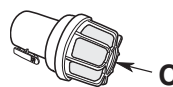
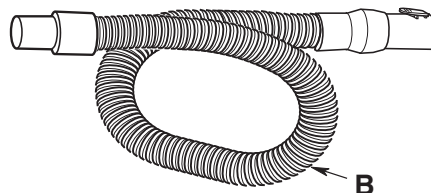
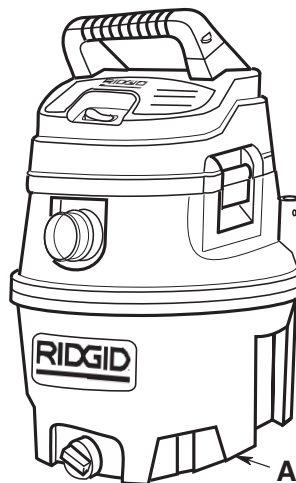
Consulte el dibujo de ensamblaje para averiguar el posicionamiento de las piezas.



Desempaquetado y comprobación del contenido de la caja de cartón (cont.)

Lista del contenido de la caja de cartón

Clave	Descripción	Cant.
A	Ensamblaje de la aspiradora para mojado/seco	1
B	Maguera arrastrable Tug-A-Long™	1
C	Silenciador/Difusor	1
D	Manual del usuario.....	1

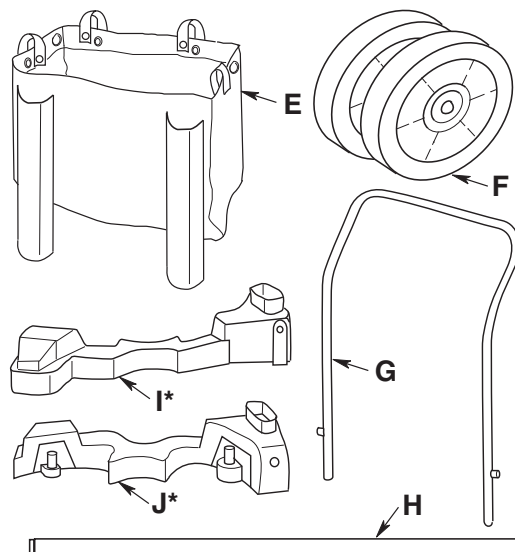


Clave	Descripción	Cant.
-------	-------------	-------

Caja de cartón que contiene las piezas siguientes:

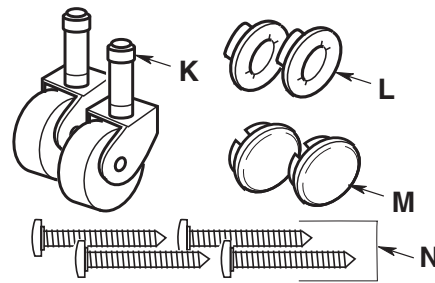
E	Bolsa de almacenamiento	1
F	Rueda de 8 pulgadas.....	2
G	Mango metálico.....	1
H	Eje	1
I*	Base de soporte derecha	1
J*	Base de soporte izquierda.....	1

* Estos artículos pueden venir preensamblados. Si no están presentes en la caja de cartón, compruebe el ensamblaje de la aspiradora para mojado/seco con el fin de verificar si están preensamblados.



Desempaquetado y comprobación del contenido de la caja de cartón (cont.)

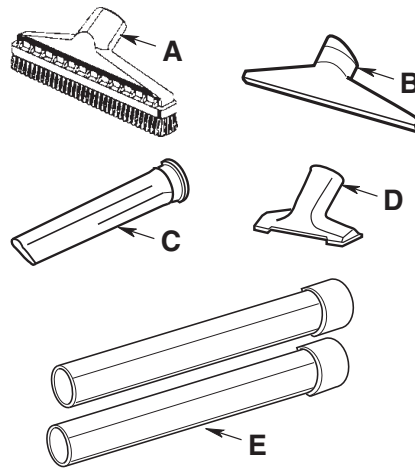
Clave	Descripción	Cant.
Bolsa de piezas sueltas que contiene lo siguiente:		
K	Ruedecilla de 2 pulgadas	2
L	Tuerca de tapa de 1/2 pulgada	2
M	Tapas de rueda	2
N	Tornillo de tipo AB No. 10 x 1-3/4.....	4



Accesorios de 2-1/2" para el número de existencias RV2400A

Lista del contenido de la caja de cartón

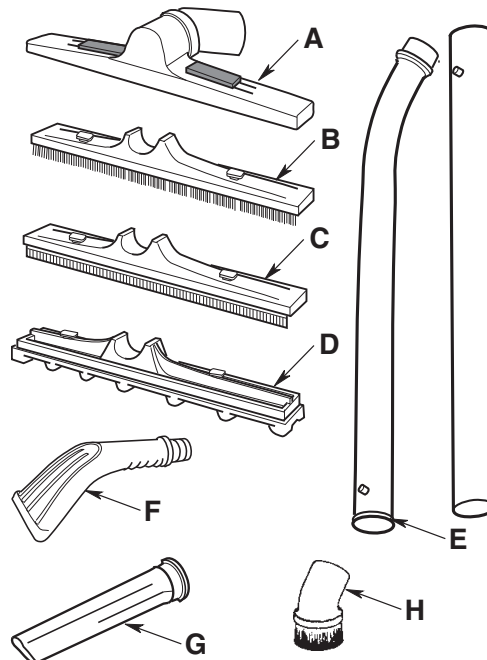
Clave	Descripción	Cant.
A	Cepillo para pisos de 14 pulg.	1
B	Boquilla para mojado	1
C	Boquilla rinconera	1
D	Boquilla de uso general	1
E	Tubos extensores	2



Accesorios de 1-7/8" para el número de existencias RV2600B

Lista del contenido de la caja de cartón

Clave	Descripción	Cant.
A	Cuerpo multiboquilla	1
B	Inserto de cepillo para pisos	1
C	Inserto de barredora de goma	1
D	Inserto para alfombra	1
E	Tubos extensores	2
F	Boquilla angulada	1
G	Boquilla rinconera	1
H	Cepillo para polvo	1



Remoción e instalación del filtro

Remoción e instalación del filtro Qwik Lock™

Remoción del filtro:

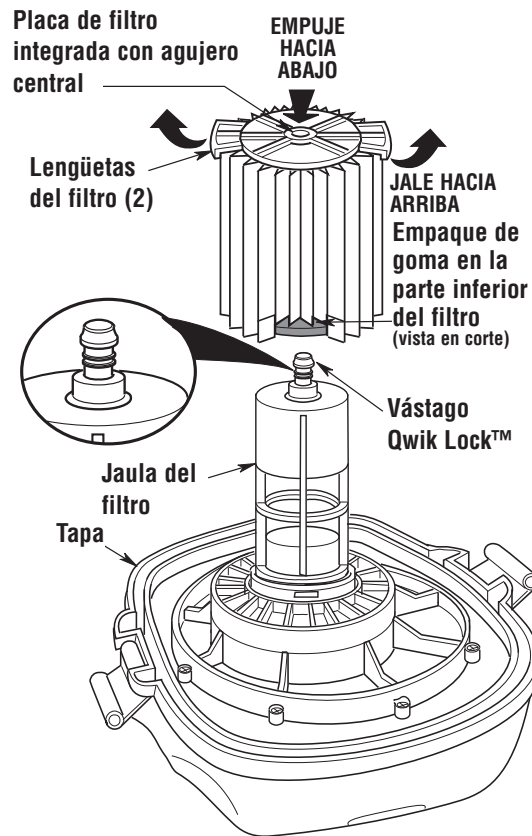
1. Sostenga las lengüetas del filtro Qwik Lock™ en cada mano.
2. Con un dedo pulgar en el vástago Qwik Lock™, que sobresale a través de la placa del filtro integrada, levante las lengüetas del filtro a la vez que empuja hacia abajo sobre el vástago.
3. Esta acción hará que el filtro se suelte de la jaula del filtro. Deslice el filtro hasta retirarlo de la jaula.

Instalación del filtro:

1. Deslice cuidadosamente el filtro Qwik Lock™ sobre la jaula del filtro y presione hacia abajo sobre el borde exterior del filtro hasta que el empaque de goma ubicado en la parte inferior del filtro se asiente firmemente alrededor de la base de la jaula del filtro y contra la tapa.
2. Alinee el agujero central pequeño ubicado en la parte superior del filtro sobre el vástago Qwik Lock™ ubicado en la jaula del filtro. Presione firmemente sobre la parte de arriba del filtro cerca del vástago, para permitir que el filtro se acople a presión sobre la bola ubicada en el extremo del vástago. Una vez hecho esto, el filtro estará instalado.

NOTA: Si no se asienta apropiadamente el empaque inferior, el resultado podría ser que los residuos rodeen el filtro.

⚠ ADVERTENCIA: No utilice la aspiradora sin la jaula del filtro y el flotador, ya que estas piezas evitan que entre líquido en el impulsor y dañe el motor.



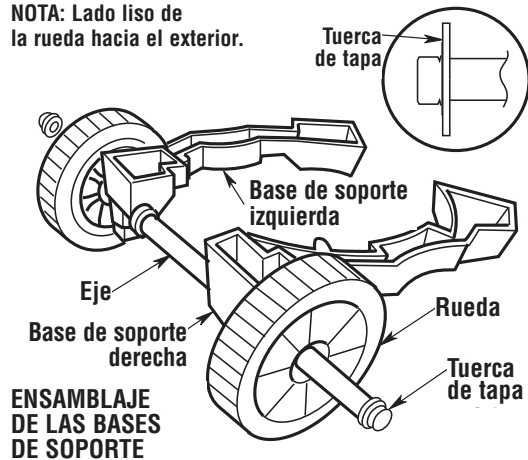
Ensamblaje del tambor/base de soporte

Si cualquiera de las piezas falta o está dañada, póngase en contacto con Servicio al Cliente.

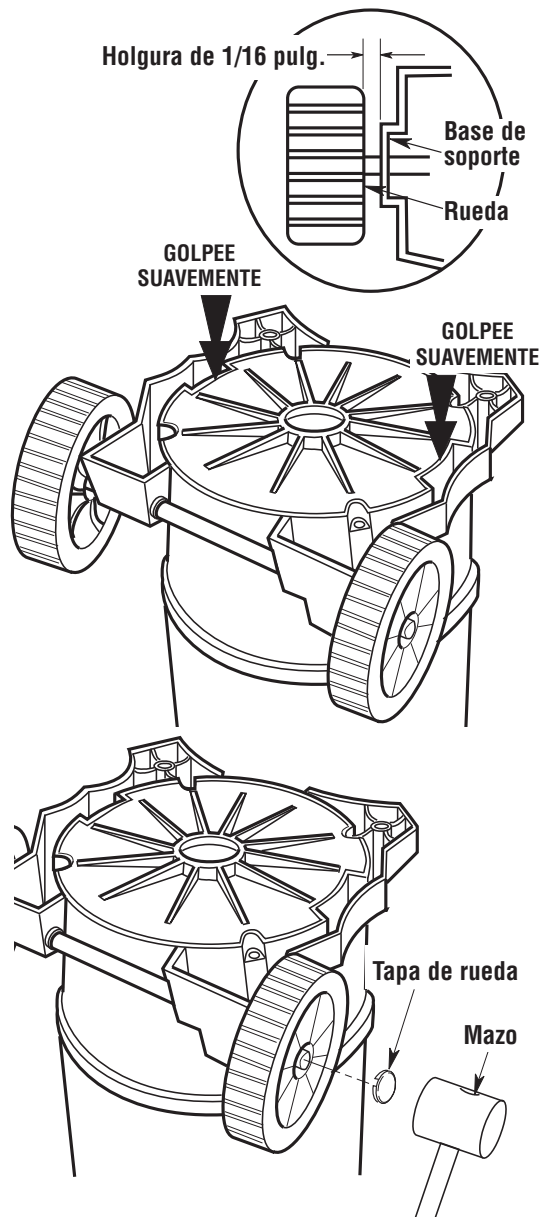
No realice el ensamblaje hasta que tenga todas las piezas.

1. Quite las bases de soporte izquierda y derecha del tambor.
2. Instale una tuerca de tapa en un lado de la varilla del eje. Golpee la tuerca suavemente con un mazo de goma o un martillo hasta que esté completamente asentada. Deslice el extremo abierto del eje a través de la rueda (con el lado liso de la rueda orientado hacia afuera).
3. Coloque el ensamblaje de la rueda y el eje a través de la base de soporte izquierda y luego a través de la base de soporte derecha, de la manera que se muestra en la ilustración.
4. Luego, coloque la rueda restante en el ensamblaje de las bases de soporte (con el lado liso de la rueda orientado hacia afuera) e instale la segunda tuerca de tapa.
5. Invierta el tambor para instalar la base de soporte. Coloque el ensamblaje de la base de soporte sobre el tambor, de la manera que se muestra en la ilustración. Asegúrese de que las ruedas giren libremente y no entren en contacto con las bases de soporte.
6. Una vez que las bases de soporte estén alineadas sobre el tambor, golpee suavemente cada extremo de cada base de soporte hasta que se asiente firmemente. Se recomienda golpear la parte central de las bases de soporte delanteras, de la manera que se muestra en la ilustración.
7. Utilizando un mazo de goma o un martillo, golpee suavemente las tapas de rueda, una en cada rueda, hasta que dichas tapas estén firmemente asentadas en cada rueda. Se requiere hacer esto tanto en los lados izquierdo como derecho.

NOTA: Lado liso de la rueda hacia el exterior.

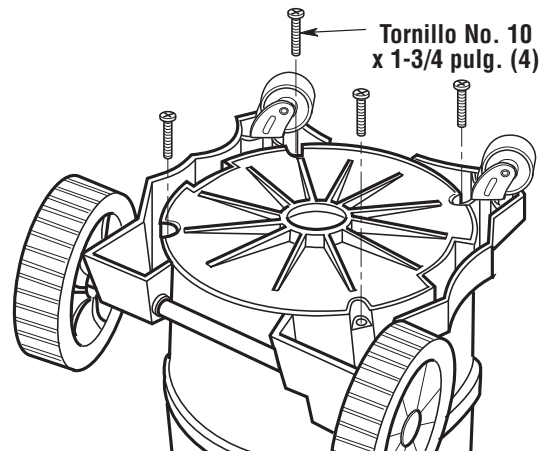
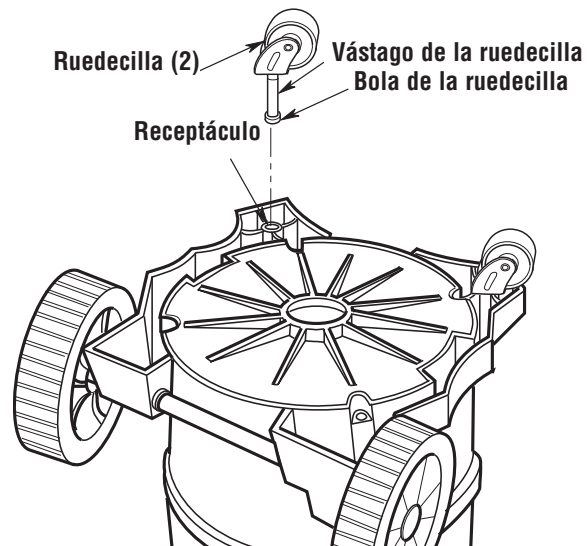


Holgura de 1/16 pulg.



Ensamblaje del tambor/base de soporte (cont.)

8. Introduzca el vástago de la ruedecilla en el receptáculo del pie de ruedecilla, de la manera que se muestra en la ilustración (ruedecilla delantera solamente).
9. Empuje sobre la ruedecilla hasta que la bola del vástago de la ruedecilla esté introducida completamente en el receptáculo. Usted podrá oír como la bola se acopla a presión en el receptáculo y la ruedecilla girará fácilmente cuando el posicionamiento sea correcto.
10. Instale (4) tornillos No. 10 x 1-3/4" en los agujeros coincidentes ubicados tanto en el lado derecho como en el lado izquierdo de la base de soporte, sujetando las bases de soporte a la parte inferior del tambor. Apriete los tornillos sólo hasta que queden perfectamente ajustados. No los apriete excesivamente en este momento, ya que esto podría tender a deformar las bases de soporte.



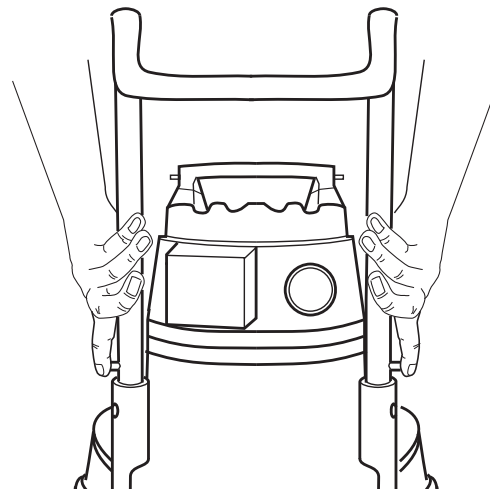
Instalación del asa

Oprima y mantenga oprimidos los botones de liberación mientras instala el asa en los receptáculos para el asa ubicados en el tambor (vea la ilustración).

NOTA: Un chasquido audible de los botones de liberación indica un acoplamiento exitoso del asa.

Remoción del asa

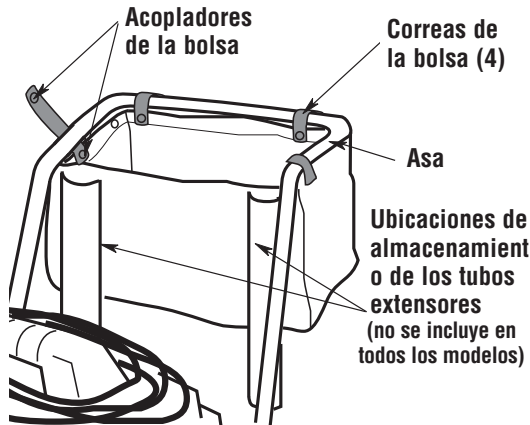
Oprima y mantenga oprimidos los botones de liberación, de la manera que se muestra en la ilustración. Mientras oprime firmemente los botones de liberación, tire del asa hacia arriba hasta quitarla (vea la ilustración).



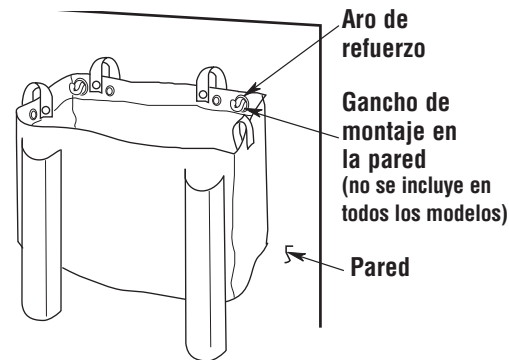
Ensamblaje del tambor/base de soporte (cont.)

Instalación del portaherramientas

1. Instale el portaherramientas de la manera que se muestra en la ilustración, con los portatubos extensores (no se incluye en todos los modelos) orientados hacia la unidad.

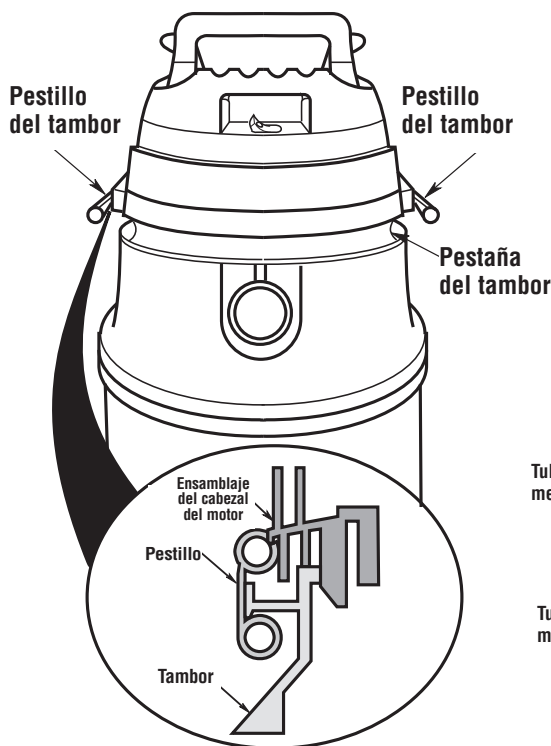


2. Como solución de almacenamiento alternativo, el portaherramientas puede colgar en una pared. Se deben sujetar firmemente a la pared dos ganchos de montaje en la pared (no se incluye en todos los modelos), de la manera que se muestra en la ilustración (los ganchos se venden por separado).



Ensamblaje de la aspiradora para mojado/seco

1. Posicione el ensamblaje del cabezal del motor sobre el ensamblaje del tambor/base de soporte, de la manera que se muestra en la ilustración (ensamblado antes).
2. Gire ambos pestillos hacia abajo y presione hasta que los oiga acoplarse a presión sobre las pestañas del tambor.



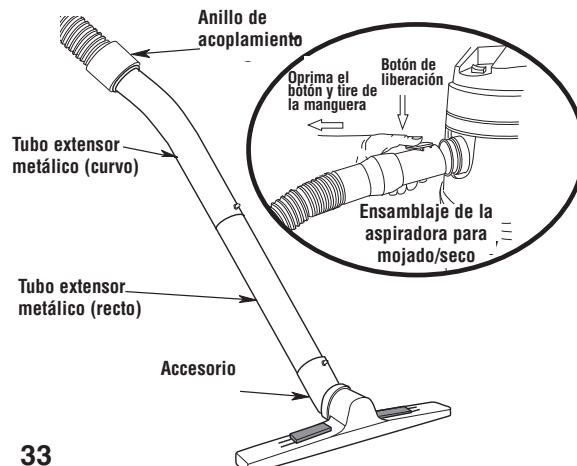
Introduzca la manguera

Introduzca el extremo con botón pulsador de la manguera arrastrable "Tug-A-Long™" en la entrada de la aspiradora. La manguera debe acoplarse a presión en su sitio. Para quitar la manguera de la aspiradora, oprima el botón de liberación que está en el ensamblaje de la manguera y tire de la manguera hasta sacarla de la entrada de la aspiradora, de la manera que se muestra en la ilustración.

En la aspiradora RV26000, presione el tubo extensor metálico curvo hacia el interior del anillo de acoplamiento del extremo de la manguera.

Una los dos tubos extensores metálicos, alineando el botón y el agujero de manera que se acoplen uno con otro.

Instale los accesorios, alineando el botón y el agujero de manera que se acoplen juntos.



Funcionamiento

⚠ ADVERTENCIA: Para reducir el riesgo de incendio, explosión o daños a la aspiradora:

- No deje la aspiradora en marcha mientras esté desatendida. Usted podría no notar señales importantes que indiquen un funcionamiento anormal, tal como pérdida de succión, residuos o líquido que salen por el escape o ruidos anormales del motor. Deje de usar la aspiradora inmediatamente si observa estas señales.
- No deje la aspiradora enchufada cuando no se esté utilizando.
- No continúe usando la aspiradora cuando el flotador haya cortado la succión.
- Las chispas generadas dentro del motor pueden incendiar los materiales inflamables suspendidos en el aire. No utilice la aspiradora cerca de líquidos inflamables ni en áreas con gases o vapores inflamables o polvo explosivo/suspendido en el aire. Los líquidos inflamables, gases inflamables y los vapores inflamables incluyen: líquido encendedor, limpiadores tipo solvente, pinturas a base de aceite, gasolina, alcohol y rociadores tipo aerosol. Los polvos explosivos incluyen: carbón, magnesio, aluminio, grano de cereal y pólvora.
- No recoja con la aspiradora polvos explosivos, líquidos inflamables ni cenizas calientes.

⚠ ADVERTENCIA: Para reducir el riesgo de descargas eléctricas o lesiones:

- No exponga la aspiradora a la lluvia ni deje que entre líquido en el compartimiento del motor. Almacene la aspiradora en un lugar interior.
- No maneje el enchufe, el interruptor o la aspiradora con las manos mojadas.
- Desenchufe la aspiradora antes de hacerle servicio de ajustes y reparaciones. Si la aspiradora no está funcionando como debería, le faltan piezas, se ha caído, está dañada, se ha dejado a la intemperie o se ha caído al agua, devuélvala a un centro de servicio independiente o llame a servicio al cliente.
- Cuando utilice un cordón de extensión, utilice únicamente cordones con capacidad nominal para uso a la intemperie que estén en buenas condiciones. No deje que la conexión entre en contacto con líquido.

Después de enchufar el cordón de energía en el tomacorriente, encienda la unidad empujando el interruptor de la posición "O" a la posición "I". Los símbolos utilizados en el accionador del interruptor son los símbolos internacionales de "encendido y apagado". "O" es el símbolo de "APAGADO" y "I" es el símbolo de "ENCENDIDO".

 = APAGADO |  = ENCENDIDO

Familiarícese con los accesorios que se incluyen con la aspiradora. Cada accesorio puede usarse de diversas maneras para aspirar y soplar residuos. A continuación hay una lista de los accesorios y de sus usos.

Cuerpo multiboquilla de 1-7/8" – Sujeta los accesorios para pisos para realizar aplicaciones de limpieza especiales: Inserto de cepillo para pisos, inserto de barredora de goma e inserto para alfombra. Para cambiar los insertos, deslice las lengüetas rojas hasta la posición "abierta" y tire del inserto desde el centro. Instale el inserto nuevo al ras con el cuerpo de la boquilla y deslice las lengüetas hasta la posición de "bloqueo".

Inserto de cepillo para pisos de 1-7/8" – Se utiliza para limpiezas de áreas grandes en superficies lisas.

Inserto de barredora de goma de 1-7/8" – Se utiliza para recoger materiales mojados en superficies lisas, para recoger líquido y secar la superficie en una pasada.

Inserto para alfombra de 1-7/8" – Boquilla para recoger material seco y mojado para la mayoría de limpiezas de tapicería y alfombras.

Boquilla angulada de 1-7/8" – Se utiliza para recoger residuos en lugares difíciles de alcanzar.

Cepillo para polvo de 1-7/8" – Se utiliza para realizar limpieza detallada en espacios pequeños.

Boquilla rinconera – Se utiliza para recoger residuos en lugares difíciles de alcanzar.

Silenciador/Difusor – Se utiliza para dispersar la corriente de aire de escape a la vez que se reduce el ruido. Insértelo en el orificio de soplado.



Funcionamiento (continuación)

Tubos extensores – Estos tubos pueden conectarse entre sí y proporcionan longitud adicional para tener más alcance.

Manguera – Proporciona transferencia de capacidad de aspiración o soplado al lugar de trabajo. Proporciona los medios para acoplar los tubos extensores y las boquillas.

Boquilla utilitaria de 2-1/2" – Boquilla de uso general para la mayoría de aplicaciones de aspiración.

Boquilla para mojado de 2-1/2" – Se utiliza para recoger materiales mojados en superficies lisas, para recoger líquido y secar la superficie en una pasada.

Cepillo para pisos de 2-1/2" – Se utiliza para limpiezas de áreas grandes en superficies lisas.

Recogida de materiales secos con la aspiradora

1. El filtro debe estar siempre en la posición correcta para reducir el riesgo de fugas y posibles daños a la aspiradora.
2. La aspiradora para mojado/seco viene con el filtro VF5000 instalado. Al utilizar la aspiradora para recoger polvo muy fino, será necesario que usted vacíe el tambor y limpie el filtro a intervalos más frecuentes para mantener un rendimiento óptimo.

NOTA: Se necesita un filtro seco para recoger material seco. Si utiliza la aspiradora para recoger polvo cuando el filtro está mojado, éste se atascará rápidamente y será muy difícil limpiarlo.

Recogida de líquidos con la aspiradora

IMPORTANTE:

1. Al recoger pequeñas cantidades de líquido se podrá dejar puesto el filtro.
2. Cuando se recojan grandes cantidades de líquido, se debe quitar el filtro. Con el filtro quitado, el mecanismo del flotador se activa para evitar que el agua entre en la carcasa del soplador del motor. Si no se quita el filtro, podría entrar agua en la carcasa del soplador del motor, lo cual podría sobrecargar y dañar el motor.
3. Después de usar la aspiradora para recoger líquidos, se debe secar el filtro para reducir el riesgo de posible moho y daños al filtro.

4. Cuando el líquido que se encuentre en el tambor alcance un nivel predeterminado, el mecanismo del flotador subirá automáticamente para cortar el flujo de aire. Cuando esto suceda, apague la aspiradora, desenchufe el cordón de energía y vacíe el tambor. Sabrá que el flotador ha subido porque el flujo de aire de la aspiradora cesará y subirá el tono del ruido del motor debido a que se producirá un aumento de la velocidad del mismo.

IMPORTANTE: Para reducir el riesgo de daños a la aspiradora, no tenga en marcha el motor con el flotador en la posición elevada.

Vaciado del tambor

⚠ ADVERTENCIA: Para reducir el riesgo de lesiones debidas a un arranque accidental, desenchufe el cordón de energía antes de vaciar el tambor.

⚠ ADVERTENCIA: Para reducir el riesgo de que se produzcan lesiones en la espalda o caídas, no levante la aspiradora si pesa demasiado debido a que contiene líquido o residuos. Saque o haga salir una cantidad suficiente del contenido para hacer que la aspiradora sea suficientemente liviana como para poder levantarla cómodamente.

1. La aspiradora viene equipada con un drenaje para vaciarla fácilmente de líquidos. Simplemente desenrosque la tapa del drenaje y levante ligeramente el lado opuesto para vaciar el tambor.
2. Otra opción es quitar el ensamblaje del cabezal del motor.
3. Ponga a un lado el ensamblaje del cabezal del motor en un área limpia mientras vacía el tambor.
4. Vierta el contenido del tambor en el recipiente de eliminación de residuos apropiado.

Traslado de la aspiradora para mojado/seco

En caso de que sea necesario levantar la aspiradora para trasladarla, las asas ubicadas en los lados del tambor para polvo se usan para levantar la aspiradora. Para maniobrar la aspiradora, se debe usar el asa de empuje/tracción ubicada en la parte trasera de la unidad.

Funcionamiento (continuación)

Dispositivo de soplado

La aspiradora cuenta con un orificio de soplado. Puede soplar aserrín y otros residuos. Siga los pasos que se indican a continuación para usar la aspiradora como soplador.

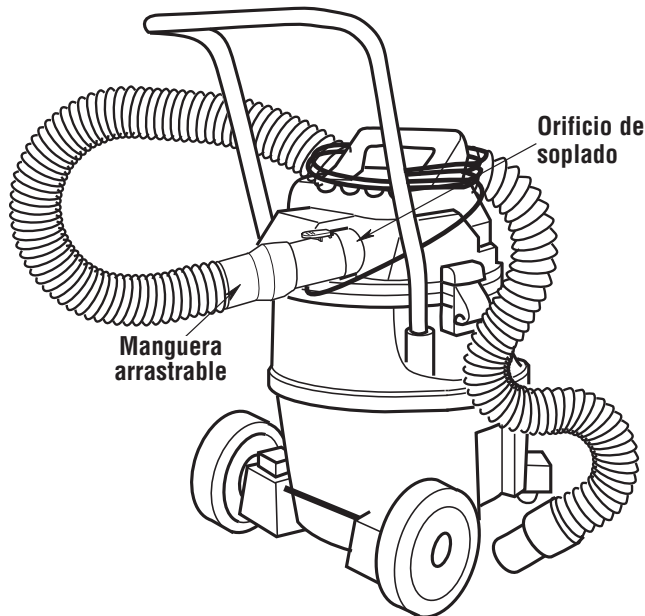
⚠ ADVERTENCIA: Use siempre protectores oculares de seguridad que cumplan con la norma ANSI Z87.1 (o en Canadá, con la norma CSA Z94.3) antes de utilizar la aspiradora como soplador.

⚠ ADVERTENCIA: Para reducir el riesgo de lesiones a las personas que estén presentes, manténgalas alejadas de los residuos soplados.

⚠ PRECAUCIÓN: Use una máscara antipolvo si el soplado genera polvo que podría ser inhalado.

⚠ PRECAUCIÓN: Para reducir el riesgo de daños a la audición, use protectores de oídos cuando utilice la aspiradora/soplador durante muchas horas seguidas o cuando la utilice en un área ruidosa.

1. Localice el orificio de soplado de la aspiradora.
2. Introduzca el extremo de fijación de la manguera arrastrable Tug-A-Long™ en el orificio de soplado de la aspiradora. La manguera debe acoplarse a presión en su sitio. Para quitar la manguera de la aspiradora, oprima el botón de liberación ubicado en el ensamblaje de la manguera y tire de la manguera hasta sacarla de la entrada de la aspiradora.
3. (Opcional) Acople un tubo extensor en el extremo opuesto de la manguera.
4. Encienda la aspiradora y estará lista para utilizarse como soplador.

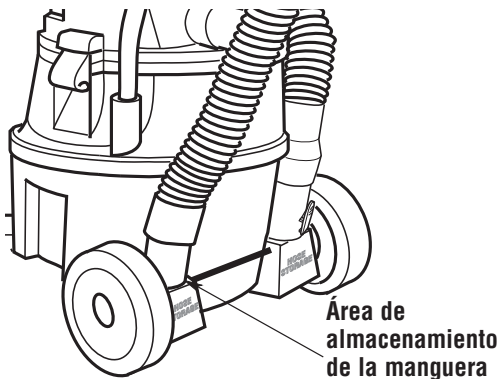


Almacenamiento de accesorios

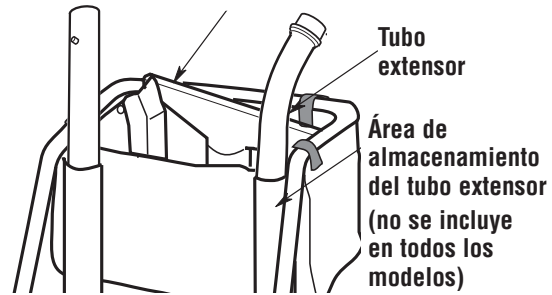
Los accesorios se pueden almacenar en la bolsa desmontable o en las dos ubicaciones que están en la base de soporte derecha/izquierda. La manguera se puede almacenar enrollándola alrededor de la unidad y colocando cada uno de sus extremos en las dos áreas marcadas con las palabras "Hose Storage" (Almacenamiento de la manguera).

NOTA: Introduzca el extremo macho del tubo extensor en el manguito del portador (no se incluye en todos los modelos) de la manera que se muestra en la ilustración.

La manguera se puede almacenar enrollándola alrededor de la unidad e introduciendo el extremo abierto en una de las ubicaciones de almacenamiento que están en el ensamblaje de las bases de soporte.

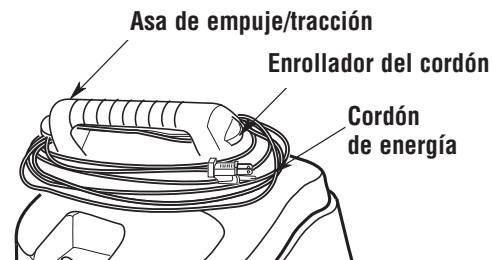


Compartimiento de almacenamiento de accesorios



Enrollado del cordón

Cuando se haya completado la limpieza con la aspiradora, desenchufe el cordón de energía y enróllelo alrededor del ensamblaje del cabezal del motor, de la manera que se muestra en la ilustración. El cordón se debe enrollar debajo del asa de tracción (por encima de la entrada) y alrededor y debajo del enrollador del cordón ubicado en la cubierta del motor.



Mantenimiento

Filtro

Las aspiradoras para seco/mojado RV24000/ RV26000 se suministran con el filtro Qwik Lock™ de tres capas de RIDGID. Los filtros Qwik Lock™ de tres capas de reemplazo están disponibles en el establecimiento donde usted compró su aspiradora. Pida el filtro de Qwik Lock™ de tres capas de RIDGID VF5000.

NOTA: Este filtro está hecho de papel de alta calidad diseñado para detener partículas de polvo muy pequeñas. El filtro se puede usar para recoger material mojado o seco. Maneje el filtro cuidadosamente al quitarlo para limpiarlo o al instalarlo. Es posible que se produzcan arrugas en los pliegues del filtro, pero dichas arrugas no afectarán el funcionamiento del filtro.

Remoción

Consulte la sección "Remoción e instalación del filtro" en la página 30 para obtener instrucciones de remoción del filtro.

⚠ ADVERTENCIA: No utilice la aspiradora sin la jaula del filtro y el flotador, ya que estas piezas evitan que entre líquido en el impulsor y dañe el motor.

IMPORTANTE: Para evitar daños a la rueda del soplador y al motor, vuelva a instalar siempre el filtro antes de usar la aspiradora para recoger material seco.

Limpieza de un filtro seco

NOTA: Para lograr una limpieza óptima con el fin de eliminar el polvo acumulado en el filtro, limpie el filtro en un área abierta. La limpieza del filtro DEBE realizarse al aire libre y no en el interior de una vivienda.

1. Quite el filtro de la aspiradora. Golpee suavemente el filtro contra la pared interior del tambor para polvo. Los residuos se soltarán y caerán.



Mantenimiento (continuación)

- Para una limpieza a fondo del filtro seco con polvo fino (sin residuos), haga pasar agua a través del filtro tal como se describe bajo "Limpieza de un filtro mojado".

Limpieza de un filtro mojado

Después de quitar el filtro, haga pasar agua a través de él usando una manguera o desde una espita. Tenga cuidado de que la presión del agua procedente de la manguera no sea tan fuerte como para dañar el filtro.

IMPORTANTE: Después de limpiar el filtro, compruebe si éste tiene desgarraduras o agujeros pequeños. No use un filtro que tenga agujeros o desgarraduras. Incluso un agujero pequeño puede hacer que se salga mucho polvo de la aspiradora. Si el filtro está dañado, reemplácelo inmediatamente.

Instalación

Consulte la sección de este manual "Remoción e instalación del filtro".

Deje que el filtro se seque antes de volver a instalarlo y de guardar la aspiradora.

Limpieza y desinfección de la aspiradora para mojado/seco

Para mantener el mejor aspecto posible de la aspiradora para mojado/seco, limpie su exterior con un paño humedecido con agua templada y un jabón suave.

Para limpiar el tambor:

- Vacíe de residuos el tambor.
- Lave a fondo el tambor con agua templada y un jabón suave.
- Limpie el tambor con un paño seco.

Antes de un almacenamiento prolongado o según sea necesario (por ejemplo, si se recogen aguas residuales), se debe desinfectar el tambor.

Para desinfectar el tambor:

- Eche 1 galón de agua y 1 cucharadita de blanqueador de cloro en el tambor.
- Deje que la solución repose durante 20 minutos y agítela cuidadosamente cada pocos minutos, asegurándose de mojar todas las superficies interiores del tambor.
- Vacíe el tambor después de 20 minutos. Enjuáguelo con agua hasta que el olor a blanqueador desaparezca. Deje que el tambor se seque completamente antes de sellar el motor sobre el tambor.

Mantenimiento del cordón

Cuando se haya completado la limpieza con la aspiradora, desenchufe el cordón y enróllelo alrededor de la cubierta del motor. Si el cordón de energía está dañado, debe ser reemplazado por el fabricante o su agente de servicio o por personal similarmente calificado, para reducir el riesgo de accidente.

Almacenamiento

Antes de almacenar la aspiradora, se debe vaciar y limpiar el tambor para polvo. El cordón se debe enrollar alrededor de la unidad y la manguera se debe almacenar de la manera descrita en este manual. Los accesorios se deben mantener en la misma área que la aspiradora para que estén al alcance de la mano cuando se necesiten. La aspiradora se debe almacenar en interiores.

Ruedecillas y ruedas

Si el carro rechina o es difícil de hacer rodar, debe poner dos o tres gotas de aceite de uso general en el eje de cada rueda. Si las ruedecillas hacen ruido, puede poner una gota de aceite en el eje del rodillo para que hagan menos ruido.

Armazón y mangos

El mango metálico está pintado para impedir la formación de herrumbre. Sin embargo, los líquidos y los residuos corrosivos deben limpiarse con un paño suave si entran en contacto con el mango.

⚠ ADVERTENCIA: Para garantizar la **SEGURIDAD** y **CONFIABILIDAD** del producto, las **reparaciones y los ajustes deben realizarse por Centros de Servicio autorizados, usando siempre piezas de repuesto RIDGID.**



Notas



Piezas de repuesto

Aspiradora para mojado/seco profesional de 14 y 16 galones Números de existencias RV2400A (modelo RV24000) o RV2600B (modelo RV26000)

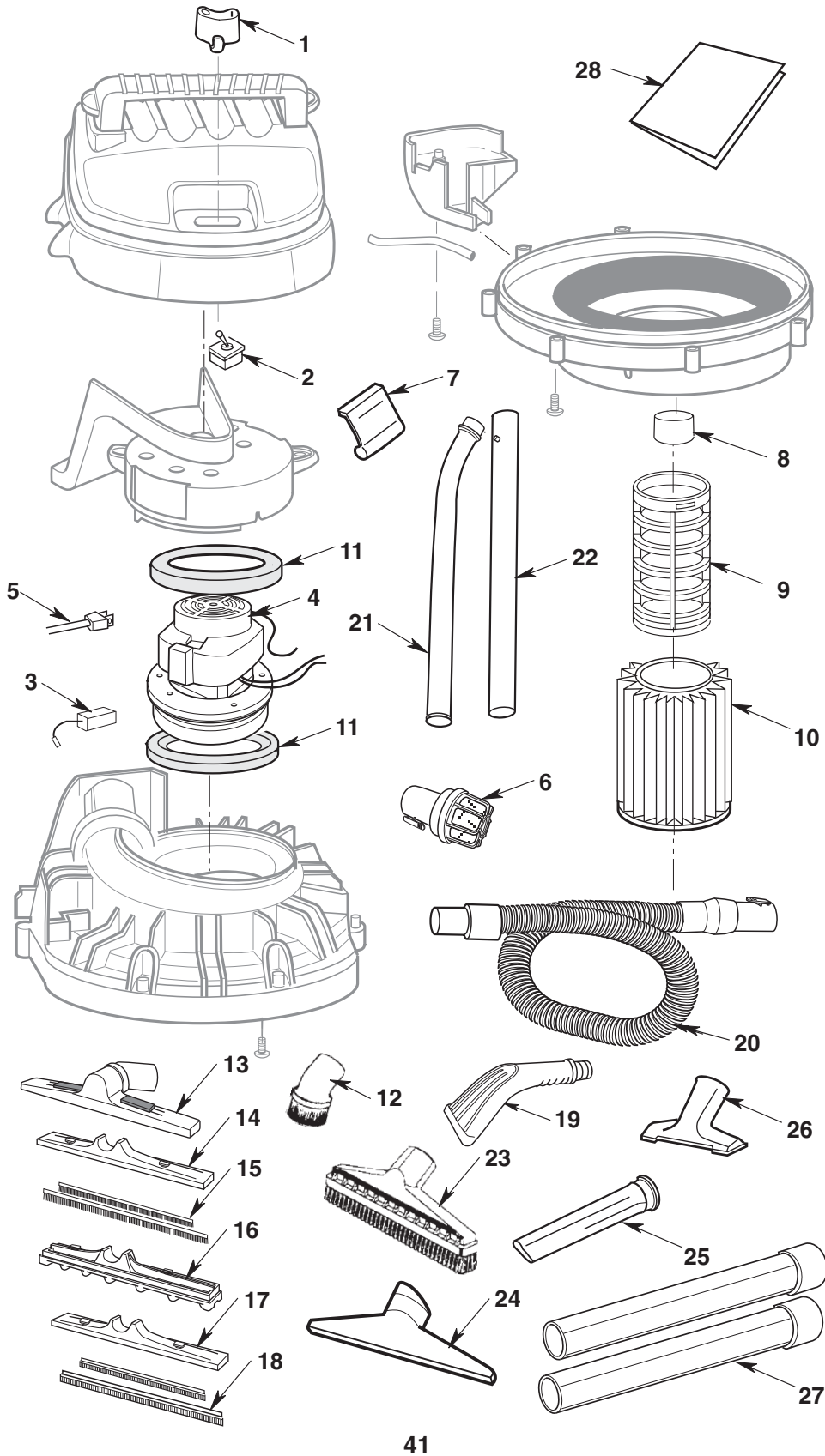
Las piezas RIDGID están disponibles a través del distribuidor RIDGID local.

Pida siempre por número de pieza —no por número de clave

▲ Para reducir el riesgo de lesiones por causa de descargas eléctricas, desenchufe el cordón de energía antes de hacer servicio de ajustes y reparaciones a las piezas eléctricas de la aspiradora para mojado/seco.

No. de clave	RV2400A No. de pieza	RV2600B No. de pieza	Descripción
1	830564	830564	Accionador del interruptor
2	73180	73180	Interruptor de palanca
3	822374-8	822374-8	Escobilla del motor
4	831567	831567	Ensamblaje del motor
5	831657	831657	Ensamblaje del cordón
6	VT2525	VT2525	Silenciador/Difusor
7	826387	826387	Pestillo del tambor
8	509488	509488	Flotador
9	823201-3	823201-3	Jaula del filtro
10	VF5000	VF5000	Filtro Qwik Lock™ de tres capas
11	827415	827415	Empaquetaduras del motor (2)
12	—	VT1785	Cepillo para polvo
13	—	832077	Cuerpo multiboquilla
14	—	832079	Inserto de cepillo para pisos
15	—	832212	Insertos de cepillo para pisos de repuesto (juego de cepillos corto y largo)
16	—	832080	Inserto para alfombra
17	—	832078	Inserto de barredora de goma
18	—	832213	Insertos de barredora de goma de repuesto (juego de barredoras de goma corta y larga)
19	—	831451	Boquilla angulada
20	831337-7	831337-6	Manguera arrastrable
21	—	832068	Tubo extensor superior (metálico)
22	—	832069	Tubo extensor inferior (metálico)
23	VT2514	—	Cepillo para pisos
24	VT2510	—	Boquilla para mojado
25	VT2502	VT1786	Boquilla rinconera
26	VT2509	—	Boquilla utilitaria
27	VT2508	—	Tubos extensores
28	SP6729	SP6729	Manual del usuario

Piezas de repuesto (continuación)



Piezas de repuesto

Aspiradora para mojado/seco profesional de 14 y 16 galones Números de existencias RV2400A (modelo RV24000) o RV2600B (modelo RV26000)

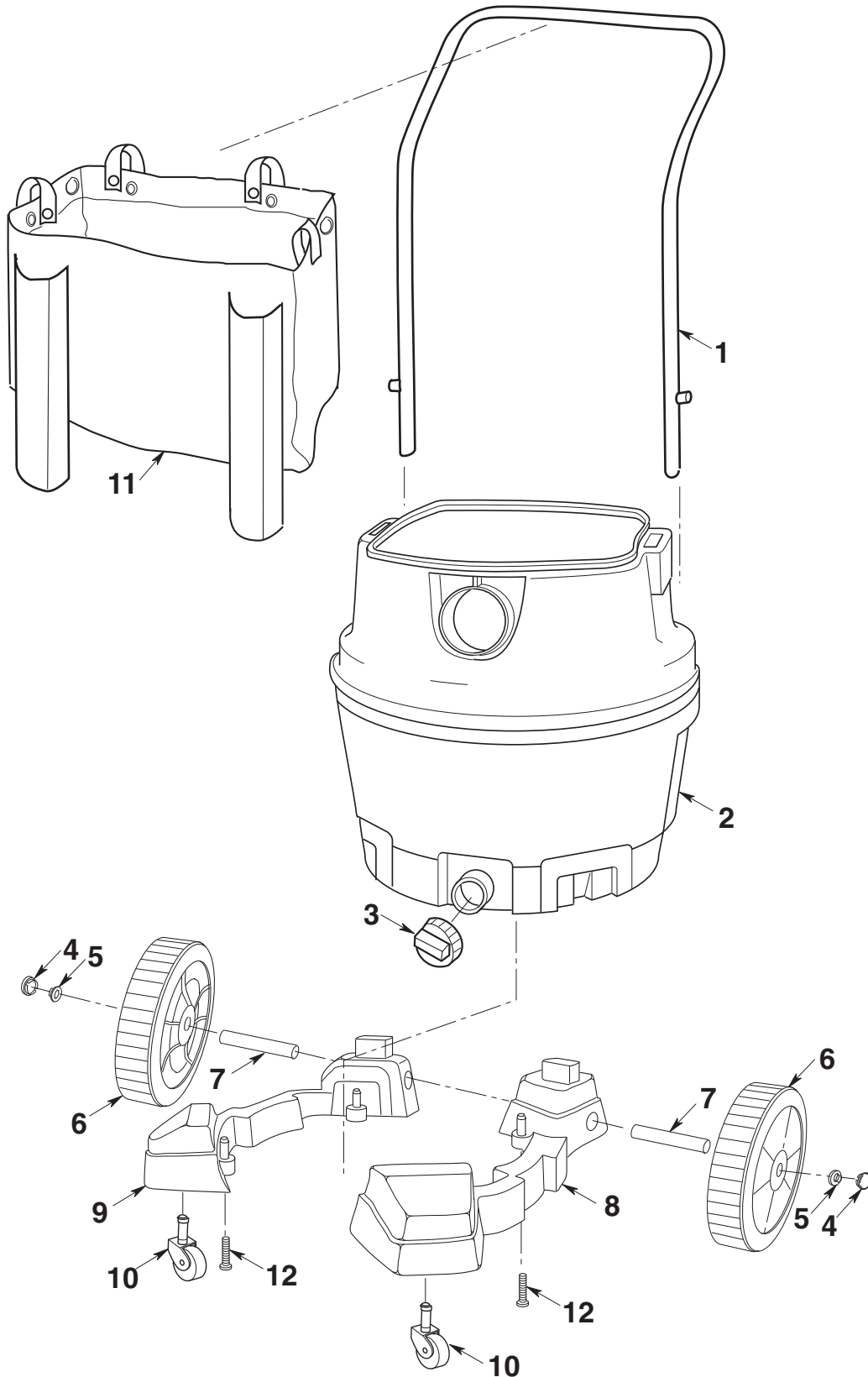
Las piezas RIDGID están disponibles a través del distribuidor RIDGID local.

Pida siempre por número de pieza —no por número de clave

▲ Para reducir el riesgo de lesiones por causa de descargas eléctricas, desenchufe el cordón de energía antes de hacer servicio de ajustes y reparaciones a las piezas eléctricas de la aspiradora para mojado/seco.

No. de clave	RV2400A No. de pieza	RV2600B No. de pieza	Descripción
1	830686	830686	Asa
2	830683-1	830683	Ensamblaje del tambor para polvo
3	73185	73185	Tapa del drenaje
4	830611	830611	Tapa de rueda
5	813836-1	813836-1	Tuerca de tapa de 1/2 pulgada
6	830682	832190	Ensamblaje de rueda de 8 pulgadas (incluye las claves 4 y 5)
7	831024	831024	Eje
8	830576	830576	Base de soporte derecha
9	830577	830577	Base de soporte izquierda
10	832123	832123	Ruedecilla
11	830597-2	831668-1	Bolsa
12	820563-5	820563-5	Tornillo tipo "AB" No. 10 x 1-3/4"
13	509944	509944	Bolsa de piezas sueltas (no ilustrada) (incluye las claves 4, 5, 10 y 12)

Piezas de repuesto (continuación)



RIDGID®



- **Qué está cubierto**

Se garantiza que las aspiradoras para mojado/seco RIDGID® están libres de defectos de fabricación y de materiales.

- **Cuánto dura la cobertura**

Esta garantía dura toda la vida de las aspiradoras para mojado/seco RIDGID®.

- **Cómo puede obtener servicio**

Para obtener el beneficio de esta garantía, envíe el producto completo mediante transporte prepago a RIDGE TOOL COMPANY, Elyria, Ohio, o a cualquier CENTRO DE SERVICIO INDEPENDIENTE RIDGID®. Las llaves para tubos y otras herramientas de mano deben devolverse al establecimiento de compra.

- **Qué haremos para corregir los problemas**

Las aspiradoras para mojado/seco garantizadas serán reparadas o reemplazadas, a opción de Ridge Tool Company, y serán devueltas sin cargo; o si después de tres intentos de reparar o reemplazar la aspiradora para mojado/seco durante el período de garantía ésta aún presenta defectos, usted puede optar por recibir un reembolso completo de su precio de compra.

- **Qué no está cubierto**

Las averías debidas a uso incorrecto, abuso o desgaste por el uso normal no están cubiertas por esta garantía. **RIDGE TOOL NO SERÁ RESPONSABLE DE NINGÚN DAÑO FORTUITO NI EMERGENTE.**

- **Cómo se relaciona la ley local con la garantía**

Algunos estados no permiten la exclusión o limitación de los daños fortuitos o emergentes, por lo que es posible que la limitación o exclusión que antecede no tenga aplicación en su caso. Esta garantía le confiere a usted derechos específicos y es posible que también tenga otros derechos, que varían de un estado a otro, una provincia a otra o un país a otro.

- **Ninguna otra garantía expresa tiene aplicación**

Esta GARANTÍA COMPLETA DE POR VIDA es la garantía única y exclusiva de las aspiradoras para mojado/seco RIDGID®. Ningún empleado, agente, distribuidor u otra persona está autorizado a alterar esta garantía ni a dar ninguna otra garantía en nombre de Ridge Tool Company.

No. de existencias RV2400A o RV2600B

No. de modelo RV24000 o RV26000

El número de modelo y el número de serie se pueden encontrar cerca del orificio de soplado. Debe anotar tanto el número de modelo como el de serie en un lugar seguro para uso futuro.



EMERSON™

Commercial & Residential Solutions

© 2012 Emerson

No. de pieza SP6729

Formulario No. SP6729-1

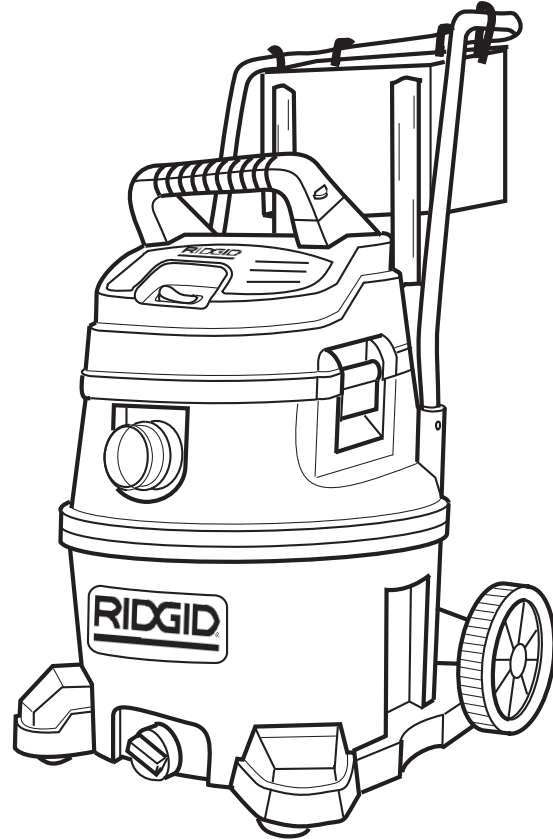
Impreso en México 12/12



MODE D'EMPLOI

ASPIRATEURS DE LIQUIDES ET DE POUSSIÈRES À USAGE COMMERCIAL & RÉSIDENTIEL DE GRANDE CAPACITÉ AVEC MOTEUR BIPHASÉ

RV24000
RV26000



⚠ AVERTISSEMENT :

Pour réduire le risque de blessure, l'utilisateur doit lire et comprendre le mode d'emploi avant d'utiliser ce produit.

Merci d'avoir acheté un produit RIDGID.

CONSERVER CE MANUEL POUR RÉFÉRENCE FUTURE

Pièce N° SP6729

Imprimé au Mexique

Table des matières

Sujet	Page	Sujet	Page
Table des matières	46	Aspiration de liquides	57
Instructions importantes relatives à la sécurité	46	Vidage du tambour	57
Mots de signalisation pour la sécurité	46	Transport de l'aspirateur de liquides	
Instructions relatives à la mise à la terre	48	et de poussières	57
Introduction	49	Fonction de soufflante	58
Déballage et vérification du contenu du carton	49	Rangement des accessoires	59
Retrait et installation du filtre	52	Enroulement du cordon	59
Assemblage du tambour/chariot	53	Entretien	59
Assemblage de l'aspirateur de liquides		Nettoyage et désinfection de l'aspirateur	
et de poussières	55	de liquides et de poussières	60
Fonctionnement	56	Pièces de rechange	62
Aspiration de matériaux secs	57	Garantie	68

INSTRUCTIONS IMPORTANTES RELATIVES À LA SÉCURITÉ

La sécurité est une combinaison de faire preuve de bon sens, rester vigilant et savoir comment votre aspirateur de liquides et de poussières (l'« aspirateur ») fonctionne.

Termes de signalisation de questions de sécurité

⚠ DANGER : indique une situation dangereuse qui, si elle n'est pas évitée, **causera** la mort ou une blessure grave.

⚠ AVERTISSEMENT : indique une situation dangereuse qui, si elle n'est pas évitée, **risque de causer** la mort ou une blessure grave.

⚠ MISE EN GARDE : indique une situation dangereuse qui, si elle n'est pas évitée, **pourrait causer** une blessure légère ou modérée.

Prenez toujours des précautions élémentaires, notamment les précautions suivantes, lorsque vous utilisez votre aspirateur de liquides et de poussières :

⚠ AVERTISSEMENT

– Pour réduire le risque d'incendie, de choc électrique ou de blessure :

- Lisez et comprenez ce manuel et toutes les étiquettes placées sur l'aspirateur avant de mettre celui-ci en marche.
- N'utilisez l'aspirateur que comme cela est décrit dans ce mode d'emploi.
- Ne laissez pas en marche pendant que vous êtes absent – vous vous risqueriez de manquer des signes importants indiquant un fonctionnement anormal, comme une perte de puissance d'aspiration, la sortie de débris ou de liquides par la bouche de soufflage d'air ou des bruits anormaux en provenance du moteur. Cessez immédiatement d'utiliser l'aspirateur si vous constatez de tels signes.
- Ne laissez pas l'aspirateur sans surveillance quand il est branché dans une prise de courant. Débranchez-le de la prise quand il n'est pas utilisé et avant toute opération de maintenance.
- Des étincelles à l'intérieur du moteur risquent de mettre feu à des vapeurs ou poussières

inflammables. Pour réduire le risque d'incendie ou d'explosion : n'utilisez pas à proximité de gaz ou de liquides inflammables ou combustibles, ou de poussières explosives, comme de l'essence automobile ou d'autres fiouls, de l'essence à briquet, des produits de nettoyage, de la peinture à l'huile, du gaz naturel, de l'hydrogène, de la poussière de charbon, de la poussière de magnésium, de la poussière d'aluminium, de la poussière de céréales ou de la poudre.

- N'aspirez jamais de matières en train de brûler ou des matières fumigènes, telles que des cigarettes, des allumettes ou des cendres chaudes.
- N'aspirez jamais de poussières de plaques de plâtre, de suie ou de cendres de cheminée froides lorsqu'un filtre pour aspirateur de liquides et de poussières standard. Il s'agit de poussières très fines qui risqueraient d'être projetées à nouveau dans l'air ambiant. Utilisez un filtre à poussières fines à la place.
- Pour réduire le risque d'inhalation de vapeurs toxiques, n'aspirez pas de matériaux toxiques ou dangereux, et n'utilisez pas à proximité de tels matériaux.
- Pour réduire le risque de choc électrique, n'exposez pas à la pluie et empêchez l'entrée de liquides dans le compartiment du moteur. Rangez à l'intérieur.
- Ne laissez pas les enfants se servir de l'aspirateur comme d'un jouet. Il faut surveiller de très près quand il est utilisé par des enfants ou à proximité d'enfants.
- N'utilisez pas avec un filtre déchiré ou sans avoir installé de filtre, sauf quand vous aspirez des liquides, comme cela est décrit dans ce mode d'emploi. Des débris secs capturés par la roue risquent d'endommager le moteur ou d'être expulsés à nouveau dans l'air ambiant.
- Éteignez l'aspirateur avant de le débrancher.
- Pour réduire le risque de blessure pouvant être causée par une mise en marche accidentelle, débranchez le cordon d'alimentation avant de changer le filtre ou de le nettoyer.



- Ne débranchez pas en tirant sur le cordon. Pour débrancher, saisissez la fiche – pas le cordon.
- N'utilisez pas l'aspirateur avec une fiche, un cordon ou un autre composant endommagé. Si votre aspirateur ne fonctionne pas comme il faut, s'il manque des pièces, s'il quelqu'un l'a laissé tomber, s'il est endommagé, s'il a été laissé à l'extérieur ou s'il est tombé dans de l'eau, téléphonez au service d'assistance à la clientèle.
- Ne tirez pas l'aspirateur et ne le portez pas par son cordon, n'utilisez pas le cordon pour servir de poignée, ne fermez pas une porte sur le cordon et ne laissez pas le cordon tendu passer sur des bords ou des coins tranchants. Ne traînez pas l'aspirateur sur son cordon. Maintenez le cordon à distance des surfaces chauffées.
- Ne touchez pas la fiche, l'interrupteur ou l'aspirateur avec des mains mouillées.
- Utilisez seulement des cordons de rallonge qui sont conçus pour emploi à l'extérieur. Les cordons de rallonge en mauvais état ou trop petits en termes de calibre des fils peuvent poser des risques d'incendie et de choc électrique. Pour réduire le risque de tels dangers, inspectez les cordons pour vous assurer qu'ils sont en bon état et que le liquide n'entre pas en contact avec le raccordement. N'utilisez pas de cordons de rallonge dont les conducteurs ont un calibre inférieur à 16 AWG. Pour réduire la perte d'énergie, utilisez un cordon de rallonge de calibre 14 s'il mesure entre 7,5 et 15 mètres de long, ou de calibre 12 s'il mesure 15 mètres de long ou plus.
- Ne mettez aucun objet dans les orifices de ventilation. N'aspirez pas quand de quelconques orifices de ventilation sont obstrués ; assurez-vous que ces orifices ne sont pas bloqués par de la poussière, de la peluche, des cheveux ou de quelconques objets pouvant réduire la circulation de l'air.
- Gardez les cheveux, les vêtements flottants, les doigts et toutes les parties du corps à distance des orifices et des pièces mobiles.
- Pour réduire le risque de chute, faites très attention lorsque vous utilisez l'aspirateur dans des escaliers.
- Pour réduire le risque de vous faire mal au dos ou de tomber, ne soulevez pas un aspirateur qui est lourd en raison de la présence de liquides ou de débris aspirés. Videz partiellement l'aspirateur en écopant ou en purgeant de façon à l'alléger pour pouvoir le soulever plus facilement.
- Pour réduire le risque de blessure ou le risque d'endommagement de l'aspirateur, n'utilisez que des accessoires recommandés par Ridgid.
- En cas d'utilisation de l'aspirateur comme soufflante :
 - Ne dirigez la décharge d'air que vers la zone de travail.
 - Ne dirigez pas l'air vers des personnes présentes à proximité.
- Gardez les enfants à distance lors du fonctionnement de la soufflante.
- N'utilisez la soufflante que pour souffler des saletés et des débris.
- N'utilisez pas en guise de pulvérisateur.
- Portez des lunettes de sécurité.
- Pour réduire le risque de blessure pour les yeux, portez des lunettes de sécurité. L'utilisation de toute soufflante ou de tout aspirateur utilitaire peut toujours causer la projection de corps étrangers dans les yeux, ce qui risque d'entraîner des blessures graves aux yeux.
- Pour réduire le risque d'être frappé ou entraîné par un aspirateur en train de rouler, bloquez les roulettes lorsque vous utilisez l'aspirateur sur une surface inégale ou inclinée.
- Raccorder à une prise de courant correctement mise à la terre. Voir instructions relatives à la mise à la terre.

▲ MISE EN GARDE :

- Pour réduire le risque de perte auditive, portez des protecteurs d'oreilles lorsque vous vous servez de l'aspirateur pendant plusieurs heures ou quand vous l'utilisez dans un endroit bruyant.
- Portez un masque antipoussières en cas d'utilisation dans un environnement poussiéreux.
- Les décharges statiques sont fréquentes dans les endroits secs ou lorsque l'humidité relative de l'air ambiant est faible. L'aspiration de débris fins avec votre aspirateur peut déposer une charge statique sur le tuyau ou sur l'aspirateur. La meilleure chose à faire pour réduire la fréquence des décharges statiques chez vous ou lorsque vous utilisez cet aspirateur consiste à ajouter de l'humidité dans l'air avec un humidificateur.

Observez les avertissements suivants qui figurent sur le carter du moteur de votre aspirateur :

▲ AVERTISSEMENT: pour votre propre sécurité, lisez et comprenez le manuel de l'opérateur. Ne laissez jamais l'aspirateur en marche sans surveillance. Ne ramassez pas de cendres chaudes, de charbon ou de matières toxiques, inflammables ou dangereuses. N'utilisez pas à proximité de vapeurs ou de liquides explosifs.

▲ AVERTISSEMENT: pour réduire le risque de choc électrique – n'exposez pas à la pluie – rangez à l'intérieur.

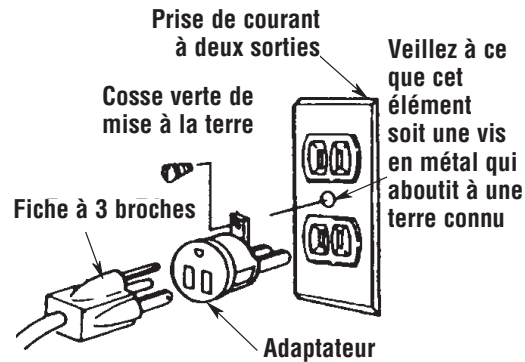
CONSERVER CE MANUEL

Instructions relatives à la mise à la terre

Cet appareil doit être mis à la terre. En cas de problème électrique, la mise à la terre fournit un chemin de moindre résistance pour le courant électrique afin de réduire le risque de choc électrique. Cet appareil est muni d'un cordon ayant un conducteur de mise à la terre de l'équipement et d'une fiche de mise à la terre. La fiche doit être insérée dans une prise appropriée qui est installée correctement et mise à la terre conformément à tous les codes et règlements municipaux.

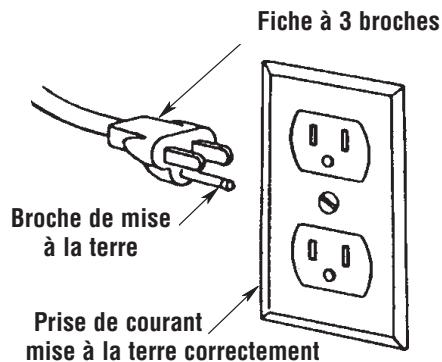
⚠ AVERTISSEMENT— un raccordement inadéquat du conducteur de mise à la terre de l'équipement risque de produire un risque de choc électrique. Consultez un électricien professionnel ou un réparateur compétent en la matière si vous avez le moindre doute quant à la mise à la terre de la prise de courant. Ne modifiez pas la fiche fournie avec cet appareil – si elle ne tient pas dans la prise de courant, demandez à un électricien professionnel d'installer une prise de courant avec mise à la terre conforme aux stipulations du code.

Cet appareil est conçu en vue d'un emploi sur un circuit de 120 volts de valeur nominale, et il a une fiche de mise à la terre qui ressemble à la fiche figurant sur l'illustration. Un adaptateur temporaire ressemblant à celui qui est illustré peut être utilisé pour raccorder cette fiche à une prise à deux broches, telle que celle qui est illustrée. S'il n'existe pas de prise de courant correctement mise à la terre, l'adaptateur temporaire peut être utilisé, mais seulement jusqu'à ce qu'une prise de courant correctement mise à la terre puisse être installée par un électricien professionnel.



La cosse, la saillie ou tout autre élément de couleur verte sortant de l'adaptateur doit être raccordé à une terre permanente telle qu'un cache de coffret de prise de courant correctement mise à la terre. Quand il est utilisé, l'adaptateur doit être maintenu en place par une vis en métal.

REMARQUE : au Canada, le Code national d'électricité interdit l'utilisation d'un adaptateur temporaire.





Introduction

Cet aspirateur peut être utilisé dans un environnement commercial ou résidentiel. Cet aspirateur de liquides et de poussières est fourni avec un filtre triple pour poussières fines. Il peut être utilisé non seulement pour ramasser des matériaux tels que la

sciure et le gravier, mais aussi des matériaux extra-fins tels que de la poussière de cloisons sèches et des cendres de cheminée froides. Ces types de matériaux sont tellement petits qu'ils passeraient au travers de filtres traditionnels.

Déballage et vérification du contenu du carton

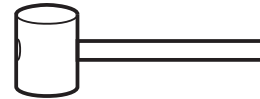
Outils nécessaires



Tournevis à tête cruciforme



Marteau



Maillet

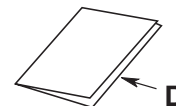
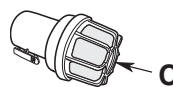
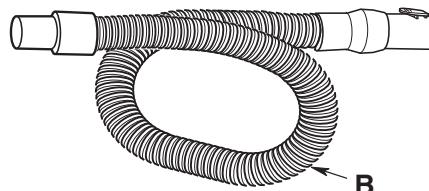
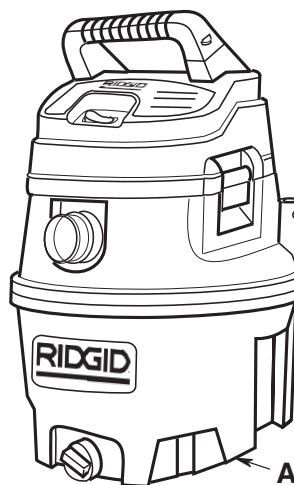
Se référer au croquis d'assemblage pour le positionnement des pièces.



Déballage et vérification du contenu du carton (suite) —

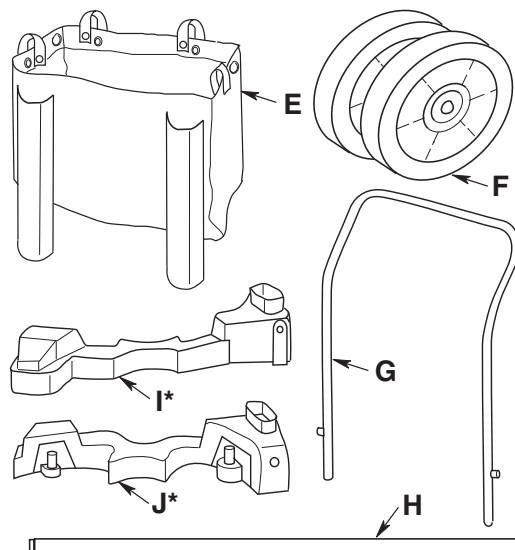
Liste du contenu de la boîte en carton

Légende	Description	Qté
A	Ensemble d'aspirateur de liquides et de poussières.....	1
B	Tuyau de traction Tug-A-Long™.....	1
C	Silencieux/diffuseur.....	1
D	Mode d'emploi.....	1



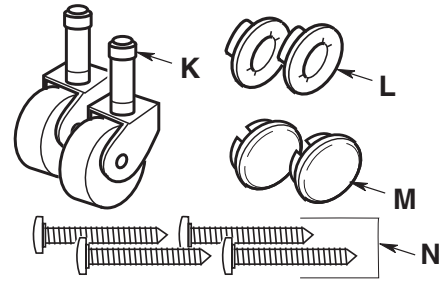
Légende	Description	Qté
Boîte en carton contenant les pièces suivantes :		
E	Sac de rangement.....	1
F	Roue de 8 po.....	2
G	Poignée en métal.....	1
H	Axe.....	1
I*	Chariot, côté droit.....	1
J*	Chariot, côté gauche.....	1

* Ces éléments peuvent avoir été assemblés à l'usine. Si vous ne les trouvez pas dans le carton, inspectez l'ensemble d'aspirateur de liquides et de poussières pour voir s'ils ont été assemblés à l'usine.



Déballage et vérification du contenu du carton (suite)

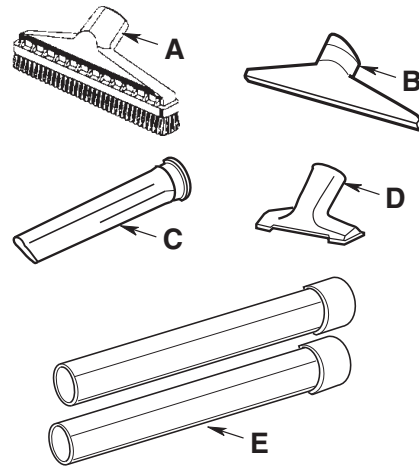
Légende	Description	Qté
Sachet de pièces détachées – Contenant les pièces suivantes :		
K	Roulette de 2 po.....	2
L	Écrou borgne de 1/2 po	2
M	Chapeau de roue	2
N	Vis de type AB N° 10 x 1-3/4	4



Accessoires de 2-1/2 po pour le numéro de référence RV2400A

Liste du contenu de la boîte en carton

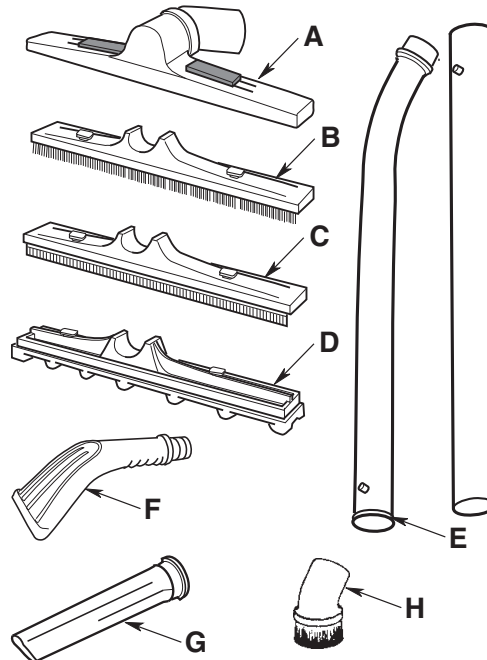
Légende	Description	Qté
A	Balai de 14 po	1
B	Suceur humide.....	1
C	Suceur plat.....	1
D	Suceur à usages multiples	1
E	Baguettes de rallonge.....	2



Accessoires de 1-7/8 po pour le numéro de référence RV2600B

Liste du contenu de la boîte en carton

Légende	Description	Qté
A	Support à suceurs multiples	1
B	Balai accessoire.....	1
C	Racloir accessoire	1
D	Accessoire pour moquettes.....	1
E	Baguettes de rallonge.....	2
F	Suceur à griffes.....	1
G	Suceur plat.....	1
H	Brosse à épousseter.....	1



Retrait et installation du filtre

Retrait et installation du filtre Qwik Lock™

Retrait du filtre :

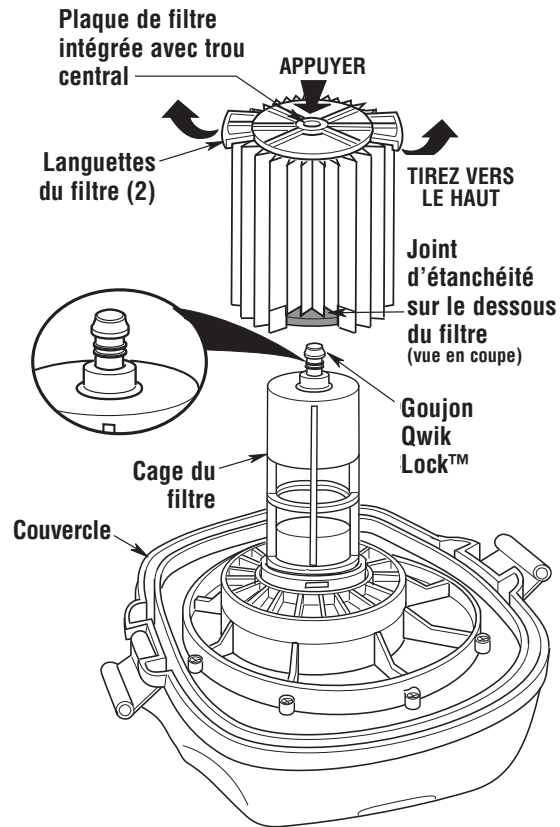
1. Saisissez les deux languettes du filtre Qwik Lock™, une dans chaque main.
2. Placez un pouce sur le goujon Qwik Lock™, qui dépasse de la plaque de filtre intégrée, tirez sur les languettes du filtre et appuyez en même temps sur le goujon.
3. Cette action aura pour effet que le filtre sera relâché de la cage du filtre. Faites glisser le filtre pour le sortir de la cage.

Installation du filtre :

1. Faites glisser délicatement le filtre Qwik Lock™ par-dessus la cage du filtre et appuyez sur le bord extérieur du filtre jusqu'à ce que le joint d'étanchéité en caoutchouc sur le dessous du filtre soit solidement installé autour de la base de la cage du filtre et contre le couvercle.
2. Alignez le petit trou central sur le dessus du filtre au-dessus du goujon Qwik Lock™ sur la cage du filtre. Appuyez fermement sur le dessus du filtre, à proximité du goujon, pour permettre au filtre de s'emboîter sur l'embout sphérique du goujon. Le filtre est maintenant installé.

REMARQUE : si vous n'installez pas correctement le joint d'étanchéité du dessous, il est possible que des débris passent à côté du filtre.

⚠ AVERTISSEMENT : ne faites pas fonctionner sans la cage du filtre et le flotteur étant donné qu'ils empêchent l'entrée de liquide dans la roue et protègent ainsi le moteur contre les dommages pouvant en résulter.



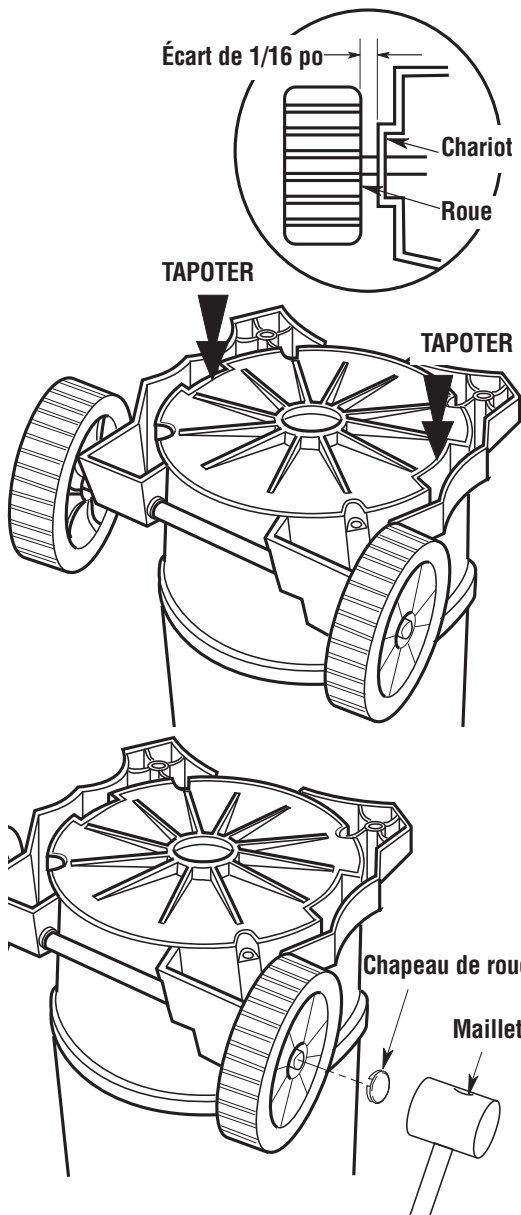
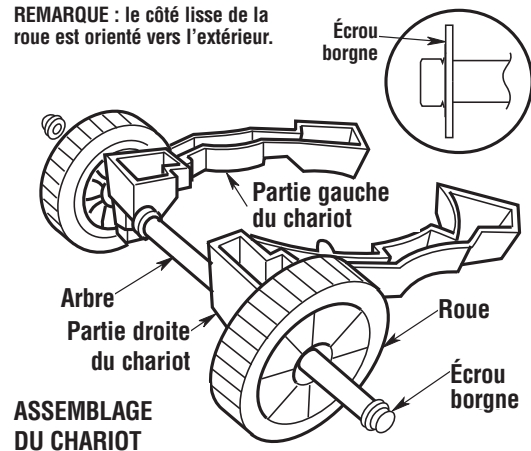
Assemblage du tambour/chariot

Veillez contacter le service clientèle si de quelconques pièces sont endommagées ou manquantes.

Ne commencez pas le montage si vous ne disposez pas de toutes les pièces.

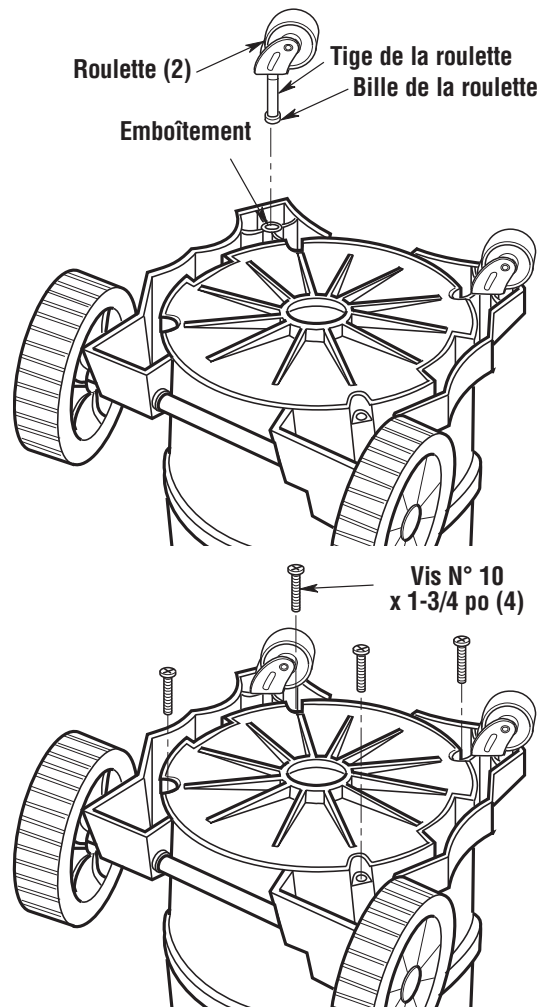
1. Retirez du tambour les supports de droite et de gauche du chariot.
2. Installez l'écrou borgne sur un côté de la tige de l'arbre. Tapotez doucement avec un marteau ou avec un maillet en caoutchouc jusqu'à ce qu'il soit bien en place. Faites glisser l'extrémité de l'arbre à travers la roue (le côté lisse de la roue étant orienté vers l'extérieur).
3. Placez l'ensemble de roue/arbre à travers la partie gauche du chariot et à travers la partie droit du chariot, comme illustré.
4. Placez ensuite la deuxième roue sur l'ensemble de chariot (le côté lisse de la roue étant orienté vers l'extérieur), et installez le deuxième écrou borgne.
5. Mettez le tambour sens dessus dessous pour installer le chariot. Placez l'ensemble de chariot sur le tambour, comme illustré. Assurez-vous que les roues tournent librement et n'entrent pas en contact avec de quelconques parties du chariot.
6. Une fois que les supports du chariot sont alignés sur le tambour, tapotez doucement sur chaque extrémité de chaque support jusqu'à ce que les supports soient solidement installés à leur place. Il est recommandé de taper sur la partie centrale des supports de l'avant du chariot, comme illustré.
7. En utilisant un marteau ou un maillet en caoutchouc, tapotez doucement sur les chapeaux de roue de chaque roue jusqu'à ce que ces chapeaux de roue soient bien en place sur chaque roue. Ceci est nécessaire à la fois du côté gauche et du côté droit du chariot.

REMARQUE : le côté lisse de la roue est orienté vers l'extérieur.



Assemblage du tambour/chariot (suite)

8. Insérez la tige de la roulette dans l'emboîtement du pied de la roulette tel que cela est illustré (roulette avant seulement).
9. Poussez sur la roulette jusqu'à ce que la bille située sur la tige de la roulette soit insérée à fond dans l'emboîtement. Vous pourrez entendre un bruit sec lorsque la bille s'encastrent dans l'emboîtement, et la roulette pivotera facilement une fois que le positionnement aura bien été effectué.
10. Installez (4) vis N° 10 x 1-3/4 po dans les trous correspondants des côtés de droite et de gauche du chariot, en assujettissant les supports au fond du tambour. Serrez les vis, mais pas à fond. Si vous les serriez excessivement, ceci risquerait de déformer le chariot.



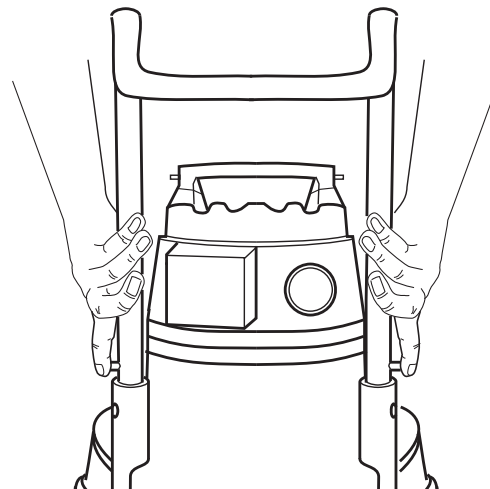
Mise en place de la poignée

Appuyez sur les boutons de déclenchement, et maintenez-les enfoncés, pendant que vous placez la poignée dans les logements de la poignée situés sur le tambour (veuillez vous reporter à l'illustration).

REMARQUE : lorsque vous entendrez un bruit sec provenant des boutons de déclenchement, cela indiquera que la poignée a été correctement engagée.

Retrait de la poignée

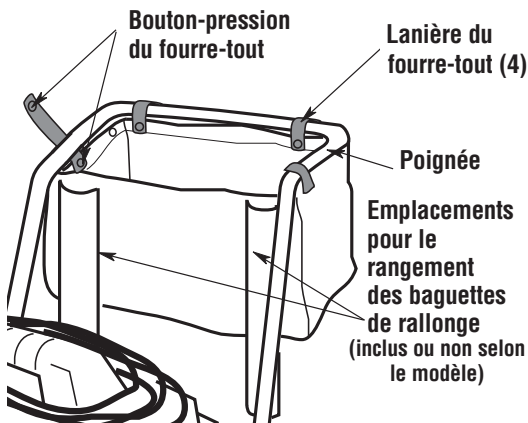
Appuyez sur les boutons de déclenchement, et maintenez-les enfoncés, tel que cela est illustré. Tout en appuyant fermement sur les boutons de déclenchement, tirez la poignée vers le haut afin de la retirer (veuillez vous reporter à l'illustration).



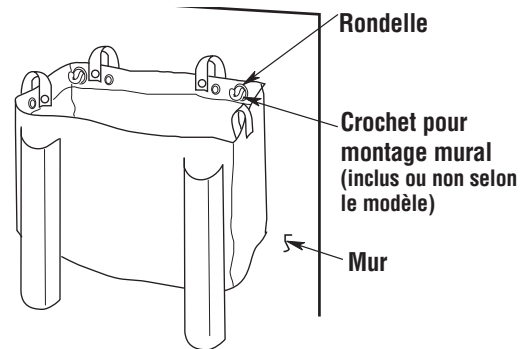
Assemblage du tambour/chariot (suite)

Mise en place du porte-outils

1. Installez le porte-outils de la façon illustrée, les supports des tiges de rallonge (inclus ou non selon le modèle) faisant face à l'appareil.

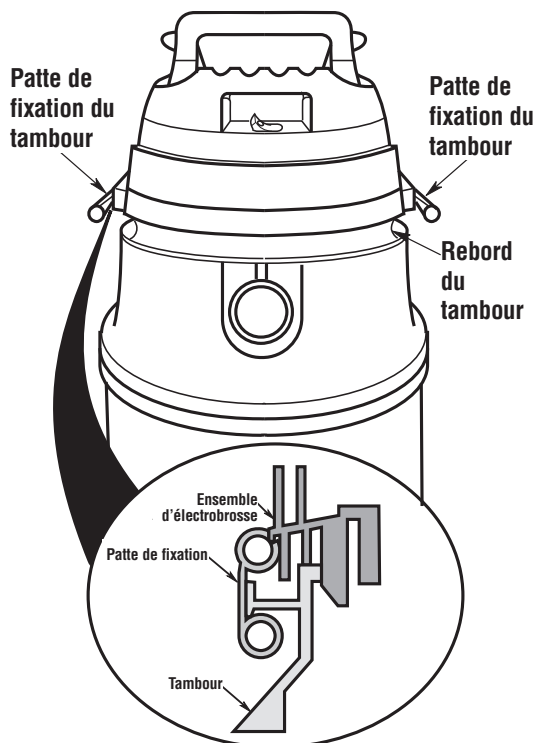


2. Le porte-outil peut être accroché à un mur si vous désirez l'utiliser pour ranger l'appareil. Deux crochets de montage mural (inclus ou non selon le modèle) doivent être assujettis au mur comme illustré (vendus séparément).



Assemblage de l'aspirateur de liquides et de poussières

1. Positionnez l'ensemble d'élément moteur sur l'ensemble de tambour/chariot tel que cela est illustré (déjà assemblé au cours d'une étape précédente).
2. Faites pivoter les deux pattes de fixation vers le bas et appuyez jusqu'à ce qu'elles s'encliquettent sur les rebords du tambour (vous entendrez un bruit sec).



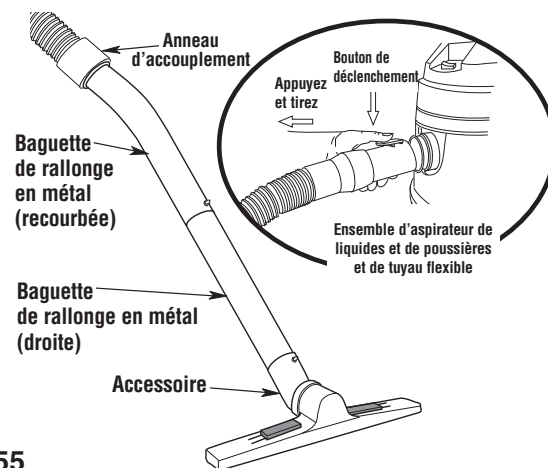
Insertion du tuyau

Insérez l'extrémité du tuyau de remorquage « Tug-A-Long™ » où est situé le bouton de déclenchement à l'intérieur de l'orifice d'aspiration de l'appareil. Le tuyau devrait se mettre en place avec un bruit sec. Pour retirer le tuyau de l'aspirateur, appuyez sur le bouton de déclenchement sur le tuyau et tirez sur le tuyau jusqu'à ce qu'il sorte de l'orifice d'aspiration de l'appareil, tel que cela est illustré.

Sur le modèle RV26000, enfoncez la baguette de rallonge recourbée en métal dans l'anneau d'accouplement du bout du tuyau flexible.

Raccordez les deux baguettes de rallonge en métal l'une avec l'autre, en alignant le bouton et le trou de façon que le bouton entre complètement dans le trou.

Attachez les accessoires en alignant le bouton et le trou de façon que le bouton entre complètement dans le trou.





Fonctionnement

⚠ AVERTISSEMENT : pour réduire le risque d'incendie, d'explosion ou d'endommagement de l'aspirateur :

- Ne laissez pas en marche pendant que vous êtes absent – vous vous risqueriez de manquer des signes importants indiquant un fonctionnement anormal, comme une perte de puissance d'aspiration, la sortie de débris ou de liquides par la bouche de soufflage d'air ou des bruits anormaux en provenance du moteur. Cessez immédiatement d'utiliser l'aspirateur si vous constatez de tels signes.
- Ne laissez pas l'aspirateur branché lorsque vous ne l'utilisez pas.
- Ne continuez pas à utiliser l'aspirateur lorsque le flotteur a coupé l'aspiration.
- Les étincelles à l'intérieur du moteur risqueraient de mettre feu à des matières inflammables en suspension dans l'air. Ne pas utiliser l'aspirateur à proximité de liquides inflammables ou à des endroits où il y a des gaz ou des vapeurs inflammables, ou de la poussière explosive/dans l'air. Les liquides, gaz et vapeurs inflammables comprennent : essence à briquet, produits de nettoyage du type solvant, peinture à base d'huile, essence, alcool et aérosols. Types de poussières explosives : charbon, magnésium, aluminium, céréales et poudre noire.
- N'aspirez pas de poussières explosives, de liquides inflammables ou de cendres chaudes.

⚠ AVERTISSEMENT : pour réduire le risque de choc électrique ou de blessure :

- N'exposez pas à la pluie, et ne laissez pas de liquides pénétrer dans le compartiment du moteur. Rangez à l'intérieur.
- Ne touchez pas la fiche de branchement, l'interrupteur ou l'aspirateur si vous avez les mains mouillées.
- Débrancher l'aspirateur avant d'effectuer une quelconque opération de maintenance. Si votre aspirateur ne fonctionne pas comme il devrait, si des pièces sont manquantes, si vous l'avez laissé tomber, s'il est endommagé, s'il a été laissé à l'extérieur ou s'il a été immergé dans de l'eau, rappez-le dans un centre de réparation indépendant ou téléphonez au service d'assistance à la clientèle.
- Lorsque vous utilisez un cordon de rallonge, n'utilisez qu'un cordon prévu pour emploi à l'extérieur et en bon état. Ne laissez pas la connexion entrer en contact avec des liquides.



Mettez l'appareil sous tension en appuyant sur l'interrupteur pour le faire passer de la position « 0 » à la position « I ». Les deux symboles internationaux qui figurent sur l'interrupteur indiquent, respectivement, la position de marche et la position d'arrêt de votre aspirateur.

○ = ARRÊT | = MARCHÉ

Il faut bien se familiariser avec les accessoires qui ont été inclus avec cet aspirateur. Chaque accessoire peut être utilisé de façons multiples pour l'aspiration ou le soufflage de débris. Voici une liste des accessoires et des divers moyens de les utiliser :

Support à suceurs multiples de 1-7/8 po – Contient des accessoires pour applications de nettoyage spécialisées sur le sol : balai, racloir et accessoire pour moquettes. Pour changer d'accessoire, faites glisser les languettes rouges dans la position ouverte (« open ») et tirez sur l'accessoire pour le dégager du centre. Installez le nouvel accessoire au ras du support de suceur et faites glisser les languettes dans la position verrouillée (« lock »).

Balai accessoire de 1-7/8 po – Utilisé pour le nettoyage de grandes surfaces lisses.

Racloir accessoire de 1-7/8 po – Utilisé pour le ramassage de liquides sur des surfaces lisses, afin de permettre le ramassage de liquides et sécher le sol en même temps.

Accessoire pour moquettes de 1-7/8 po – Suceur pour le ramassage de liquides et de débris secs pour le nettoyage de la plupart des moquettes et des tissus d'ameublement.

Suceur à griffes de 1-7/8 po – Utilisez-le pour ramasser des débris dans des endroits difficiles à atteindre.

Brosse d'époussetage de 1-7/8 po – Utilisée pour un nettoyage de finition dans des espaces restreints.

Suceur plat – Utilisé pour aspirer des débris dans des endroits difficiles à atteindre.

Silencieux/diffuseur – Utilisez-le pour disperser le flux d'air d'échappement tout en réduisant le bruit. Insérez-le dans l'orifice de soufflerie.





Fonctionnement (suite)

Baguettes de rallonge – Ces baguettes peuvent être connectées ensemble et fournir une longueur supplémentaire pour atteindre des endroits plus éloignés.

Tuyau – Permet de transférer la capacité d'aspirer ou de souffler sur le site de travail. Fournit le moyen de connecter des baguettes de rallonge et des suceurs.

Suceur tout usage de 2-1/2 po – Suceur à usage universel pour la plupart des applications d'aspiration.

Suceur humide de 2-1/2 po – Utilisé pour le ramassage de liquides sur des surfaces lisses, pour ramasser des liquides et sécher le sol en même temps.

Balai de 2-1/2 po – Utilisé pour les nettoyages de grandes surfaces lisses.

Aspiration de matériaux secs

1. Le filtre doit toujours être dans la position correcte afin de réduire le risque de fuites et d'endommagement de l'aspirateur.
2. Votre aspirateur de liquides et de poussières est fourni avec un filtre VF5000 installé. Lors de l'utilisation de l'aspirateur pour ramasser des poussières très fines, il sera nécessaire de vider le tambour et de nettoyer le filtre à intervalles plus fréquents afin de continuer à bénéficier de la performance maximale de l'aspirateur.

REMARQUE : un filtre sec est nécessaire pour ramasser des matériaux secs. Si l'aspirateur est employé pour ramasser de la poussière alors que le filtre est humide, le filtre se bouchera très vite et il sera ensuite très difficile à nettoyer.

Aspiration de liquides

IMPORTANT :

1. Lors de l'aspiration de faibles volumes de liquide, le filtre peut être laissé à sa place.
2. Il faut enlever le filtre avant d'aspirer de grands volumes de liquides. Lorsque le filtre a été enlevé, le mécanisme de flotteur s'active pour empêcher l'eau de pénétrer dans le logement du ventilateur du moteur, car cela risquerait de surcharger le moteur et de l'endommager.
3. Après que l'aspirateur aura été utilisé pour aspirer des liquides, il faudra sécher le filtre pour réduire le risque de la formation possible de moisissures et pour ne pas endommager le filtre.

4. Lorsque le liquide aspiré atteint un niveau prédéterminé dans le tambour, le flotteur s'élèvera automatiquement afin de couper la circulation de l'air. Lorsque ceci se produit, fermer l'aspirateur, débrancher le cordon électrique et vider le tambour. L'élévation du niveau du flotteur se remarque parce qu'elle correspond à l'arrêt de la circulation de l'air à l'intérieur de l'aspirateur et parce que le bruit du moteur devient alors plus aigu en raison de l'accélération de sa vitesse.

IMPORTANT : pour réduire le risque d'endommager l'aspirateur, il ne faut pas faire fonctionner le moteur pendant que le flotteur est en position élevée.

Vidage du tambour

⚠ AVERTISSEMENT : pour réduire le risque de blessure en raison d'une mise en marche accidentelle, débrancher le cordon électrique avant de vider le tambour.

⚠ AVERTISSEMENT : pour réduire le risque de chute ou de blessure au dos il ne faut pas soulever un aspirateur plein de liquide ou de débris. Ramasser ou drainer suffisamment du contenu hors de l'aspirateur afin de rendre l'aspirateur assez léger pour le soulever confortablement.

1. Cet aspirateur est équipé d'un drain permettant d'évacuer facilement les liquides. Il suffit de dévisser le capuchon du drain et de soulever le côté opposé de l'aspirateur pour l'incliner légèrement afin de vider le tambour.
2. Une autre option possible consiste à retirer l'ensemble d'élément moteur.
3. Posez l'ensemble d'élément moteur sur le côté sur une surface propre tout en vidant le tambour.
4. Jetez le contenu du tambour dans une poubelle appropriée.

Transport de l'aspirateur de liquides et de poussières

Si vous avez besoin de soulever l'aspirateur pour le déplacer, vous pouvez utiliser les poignées situées sur les côtés du tambour à poussière qui ont été conçues à cet effet. Il faut utiliser la poignée de traction située au-dessus de l'orifice d'entrée, ou la poignée métallique du chariot à accessoires, pour manœuvrer l'aspirateur.

Fonctionnement (suite)

Fonction de soufflante

Votre aspirateur est muni d'un orifice de soufflante qui permet de chasser de la sciure ou d'autres débris. Veuillez réaliser les étapes suivantes pour utiliser votre aspirateur comme une soufflante.

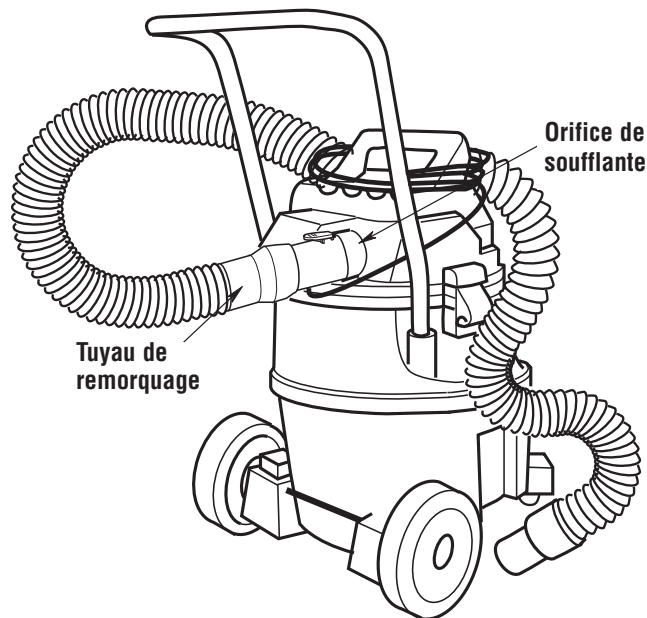
⚠ AVERTISSEMENT : il faut toujours porter des lunettes de protection conformes à la norme ANSI Z87.1 (ou, au Canada, CSA Z94.3) avant de se servir de l'aspirateur comme une soufflerie.

⚠ AVERTISSEMENT : pour ne pas risquer de causer des blessures à d'autres personnes, il est recommandé de leur demander de rester à distance suffisante des débris soufflés.

⚠ MISE EN GARDE : portez un masque anti-poussière si votre soufflage crée de la poussière qui pourrait être aspirée.

⚠ MISE EN GARDE : pour réduire le risque d'endommagement de l'ouïe, portez des protecteurs d'oreilles quand vous utilisez l'aspirateur/la souffleuse pendant de longues périodes ou quand vous l'utilisez dans un environnement bruyant.

1. Localisez l'orifice de soufflante sur votre aspirateur.
2. Insérez l'extrémité verrouillable du tuyau de remorquage à l'intérieur de l'orifice de soufflante de l'aspirateur. Le tuyau devrait se mettre en place d'un coup sec. Pour retirer le tuyau de l'aspirateur, appuyez sur le bouton de déclenchement sur l'ensemble de tuyau et sortez le tuyau de l'entrée d'aspiration en tirant.
3. (Optionnel) Fixez la bague de rallonge sur l'extrémité opposée du tuyau.
4. Après avoir mis l'aspirateur sous tension, vous serez prêt à l'utiliser comme une soufflante.

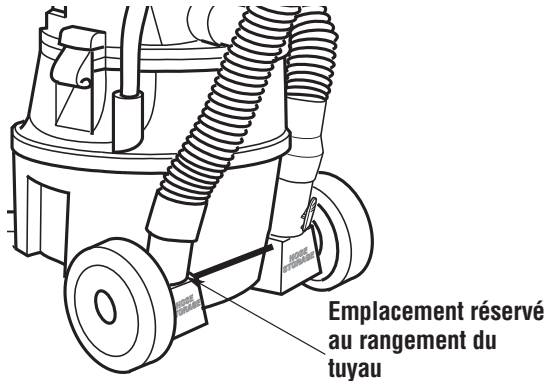


Rangement des accessoires

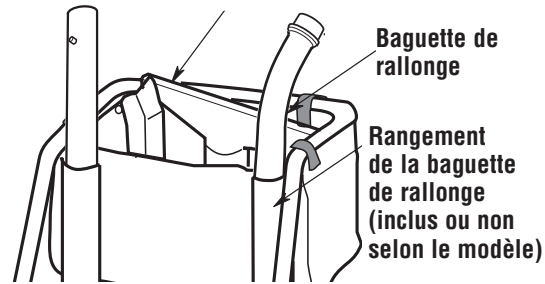
Vous pouvez ranger vos accessoires dans le fourre-tout amovible, ou dans les deux compartiments du chariot (droit ou gauche). Vous pouvez ranger le tuyau en l'enroulant autour de l'appareil et en plaçant chaque extrémité dans l'un des deux emplacements réservés au rangement du tuyau et identifiés par les mots « Hose Storage ».

REMARQUE : insérez l'extrémité mâle de la baguette de rallonge dans le manchon de support (inclus ou non selon le modèle) tel que cela est illustré.

Vous pouvez ranger le tuyau en l'enroulant autour de l'appareil et en plaçant son extrémité libre dans l'un des deux emplacements réservés au rangement sur l'ensemble de chariot.

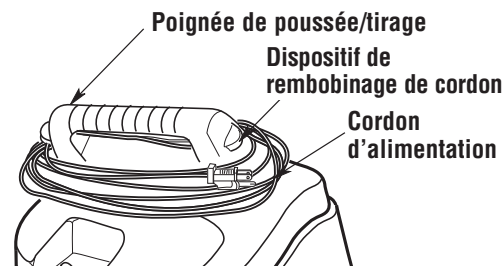


Compartiment de rangement des accessoires



Enroulement du cordon

Après avoir passé l'aspirateur, débranchez le cordon et enroulez-le autour de l'élément moteur, tel que cela est illustré. Le cordon doit s'enrouler sous la poignée de tirage (au dessus de la rainure), et autour et en dessous du dispositif de rembobinage de cordon situé sur le capot du moteur.



Entretien

Filtre

Les aspirateurs de liquides et de poussières RV24000 et RV26000 sont fournis avec le filtre triple Qwik Lock™ de RIDGID. Des filtres triples Qwik Lock™ de rechange sont disponibles à l'endroit où vous avez acheté votre aspirateur. Demandez le filtre triple Qwik Lock™ de RIDGID VF5000.

REMARQUE : le filtre est fait de papier de qualité élevée conçu pour intercepter les très petites particules de poussière. Le filtre peut être utilisé pour le ramassage de liquides ou de débris secs. Manipuler le filtre avec précaution lors de son nettoyage ou de son installation. Les plis du filtre peuvent être froissés pendant l'installation, mais cela n'aura aucune influence sur la performance du filtre.

Retrait du filtre

Référez-vous à la section de la page 52, « Retrait et installation du filtre » pour des instructions sur le retrait du filtre.

⚠ AVERTISSEMENT : ne faites pas fonctionner sans la cage du filtre et le flotteur étant donné qu'ils empêchent l'entrée de liquide dans la roue et protègent ainsi le moteur contre les dommages pouvant en résulter.

IMPORTANT : pour éviter d'endommager le moteur et la roue de la soufflerie, toujours réinstaller le filtre avant d'utiliser l'aspirateur pour ramasser des matériaux secs.

Nettoyage d'un filtre sec

REMARQUE : pour obtenir les meilleurs résultats lors du nettoyage après l'accumulation de poussière, nettoyer le filtre dans un endroit non clos. Le nettoyage DOIT être effectué à l'extérieur – pas dans des locaux d'habitation.



Entretien (suite)

1. Retirer le filtre de l'aspirateur. Tapoter doucement le filtre contre la paroi intérieure du tambour à poussière. Les débris se détacheront et tomberont.
2. Pour effectuer un nettoyage complet du filtre sec lorsqu'il est couvert de particules très fines (pas de débris), faire couler de l'eau à travers le filtre comme indiqué sous la rubrique « Nettoyage d'un filtre humide ».

Nettoyage d'un filtre humide

Une fois le filtre retiré, faites couler de l'eau au travers du filtre à l'aide d'un tuyau d'arrosage ou d'un robinet. Veillez à ce que la pression de l'eau sortant du tuyau d'arrosage ne soit pas si forte qu'elle pourrait endommager le filtre.

IMPORTANT : inspecter le filtre après le nettoyage pour s'assurer qu'il n'est pas déchiré ou troué. Ne pas utiliser un filtre déchiré ou troué. Même un petit trou peut permettre à beaucoup de poussière de sortir de l'aspirateur. Remplacez votre filtre immédiatement s'il est endommagé.

Installation

Référez-vous à la section « Retrait et installation du filtre » de ce mode d'emploi.

Laisser sécher le filtre avant de le réinstaller et de ranger l'aspirateur.

Nettoyage et désinfection de l'aspirateur de liquides et de poussières

Pour conserver l'esthétique optimale de votre aspirateur de poussières et de liquides, nettoyez la surface extérieure de l'aspirateur à l'aide d'un chiffon imbibé d'eau tiède savonneuse.

Procédure de nettoyage du tambour :

1. Vider les débris.
2. Nettoyez soigneusement le tambour à poussière à l'aide d'un savon doux et d'eau tiède.
3. Essuyer avec un chiffon sec.

Avant de ranger l'aspirateur pour une période prolongée, ou dans les cas nécessaires (par exemple après l'aspiration d'eaux usées), vous devez désinfecter le tambour.

Pour désinfecter le tambour :

1. Versez un gallon (presque 4 litres) d'eau et une cuillerée à thé de produit à blanchir à l'eau de javel dans le tambour.
2. Laissez la solution agir pendant 20 minutes, en remuant doucement de temps à autre pour vous assurer que toutes les surfaces du tambour restent humides.

3. Videz le tambour au bout de 20 minutes. Rincez à l'eau jusqu'à ce que l'odeur d'eau de javel ait disparu. Laissez sécher le tambour complètement avant de sceller le moteur sur le tambour.

Entretien du cordon d'alimentation

Une fois votre travail d'aspiration terminé, débranchez le cordon d'alimentation et enroulez-le autour du couvercle du moteur. Si le cordon est endommagé, il doit être remplacé par le fabricant ou son représentant, ou par une autre personne ayant les compétences techniques nécessaires, afin de réduire le risque d'accident.

Rangement

Avant de ranger votre aspirateur, vous devez vider et nettoyer le tambour à poussières. Vous devez également enrouler le cordon d'alimentation autour de l'appareil et ranger le tuyau tel que cela décrit dans le présent mode d'emploi. Vous devez garder les accessoires au même endroit que l'aspirateur de façon à pouvoir y accéder facilement. Vous devez ranger l'aspirateur à l'intérieur d'un bâtiment.

Roulettes et roues

Si le chariot commence à grincer ou s'il devient difficile de le faire rouler, appliquer deux ou trois gouttes d'huile universelle sur chaque roue au niveau de l'essieu. Si les roulettes font du bruit, appliquer une goutte d'huile sur l'arbre pour les rendre silencieuses.

Cadre et poignées

La poignée en métal est peinte pour la protéger contre la rouille. Toutefois, il faut en retirer les liquides et les débris corrosifs en contact avec la poignée avec un chiffon non abrasif.

⚠ AVERTISSEMENT : pour assurer la **SÉCURITÉ** et la **FIABILITÉ** du produit, les **réparations et réglages doivent être effectués par des centres agréés de service après-vente en utilisant toujours des pièces de rechange RIDGID.**



Pièces de rechange

Aspirateur de liquides et de poussières professionnel de 14 et 16 gallons Numéros de stocks RV2400A (Modèle RV24000) ou RV2600B (Modèle RV26000)

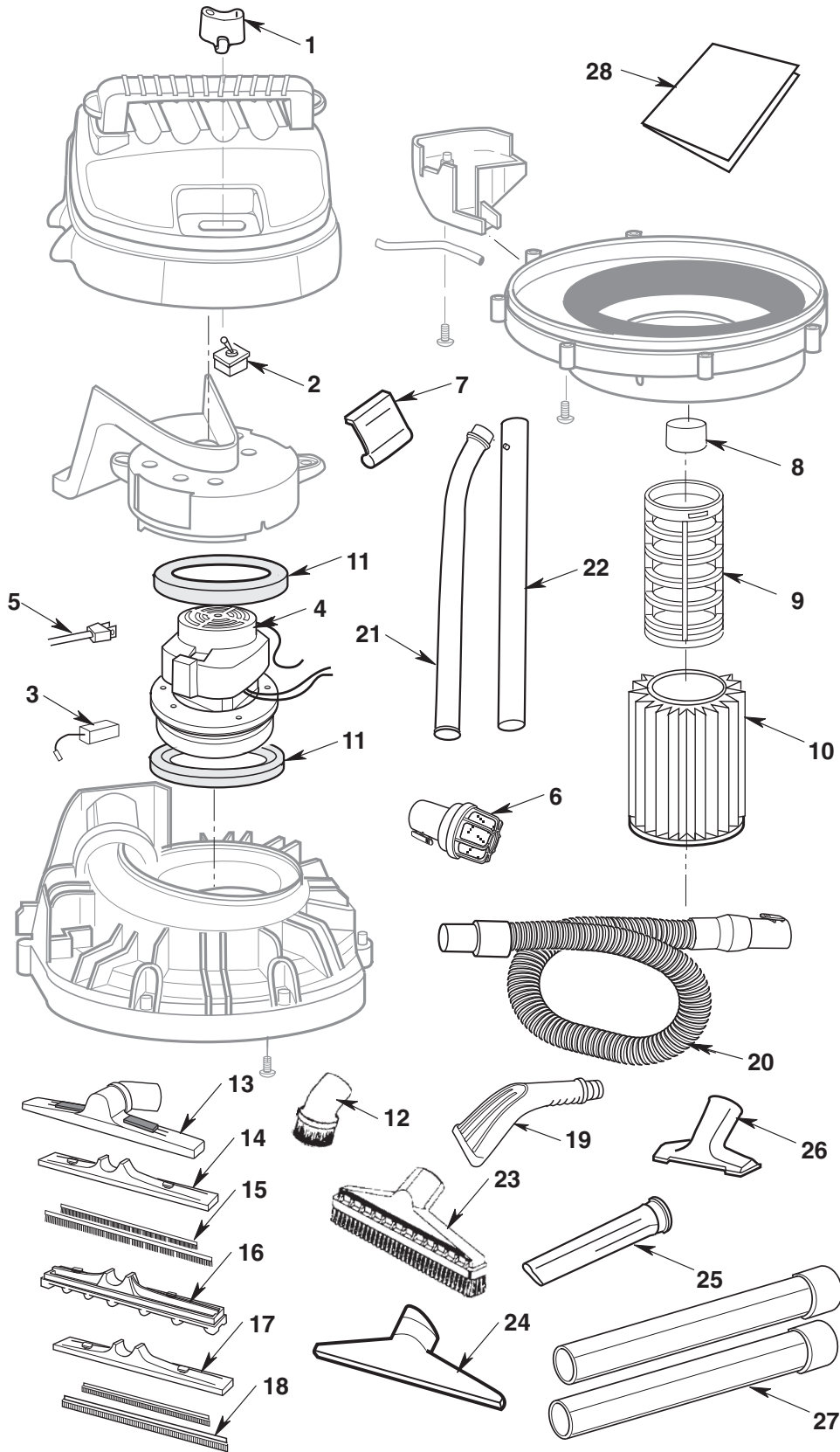
**Vous pouvez vous procurer des pièces de rechange RIDGID
en vous adressant à votre distributeur local RIDGID.**

Pour commander, utiliser toujours le numéro de pièce – pas le numéro de légende

▲ AVERTISSEMENT : pour réduire le risque de blessures causées par les chocs électriques, débranchez le cordon d'alimentation avant de réparer les éléments électriques de l'aspirateur de liquides et de poussières.

Légende N°	RV2400A Pièce N°	RV2600B Pièce N°	Description
1	830564	830564	Actionneur d'interrupteur
2	73180	73180	Interrupteur à bascule
3	822374-8	822374-8	Balai de moteur
4	831567	831567	Ensemble du moteur
5	831657	831657	Ensemble de cordon
6	VT2525	VT2525	Silencieux/diffuseur
7	826387	826387	Verrou de tambour
8	509488	509488	Flotteur
9	823201-3	823201-3	Cage du filtre
10	VF5000	VF5000	Filtre triple Qwik Lock™
11	827415	827415	Joints étanches pour le moteur (2)
12	—	VT1785	Brosse à épousseter
13	—	832077	Support à suceurs multiples
14	—	832079	Balai accessoire
15	—	832212	Balais accessoires de rechange (jeu de balais longs & courts)
16	—	832080	Accessoire pour moquettes
17	—	832078	Racloir accessoire
18	—	832213	Racloirs de rechange (jeu de racloirs longs & courts en caoutchouc)
19	—	831451	Suceur à griffes
20	831337-7	831337-6	Tuyau flexible Tug-A-Long
21	—	832068	Baguette de rallonge supérieure (en métal)
22	—	832069	Baguette de rallonge inférieure (en métal)
23	VT2514	—	Balai
24	VT2510	—	Suceur humide
25	VT2502	VT1786	Suceur plat
26	VT2509	—	Suceur à usages multiples
27	VT2508	—	Baguettes de rallonge
28	SP6729	SP6729	Mode d'emploi

Pièces de rechange (suite)



Pièces de rechange

Aspirateur de liquides et de poussières professionnel de 14 et 16 gallons Numéros de stocks RV2400A (Modèle RV24000) ou RV2600B (Modèle RV26000)

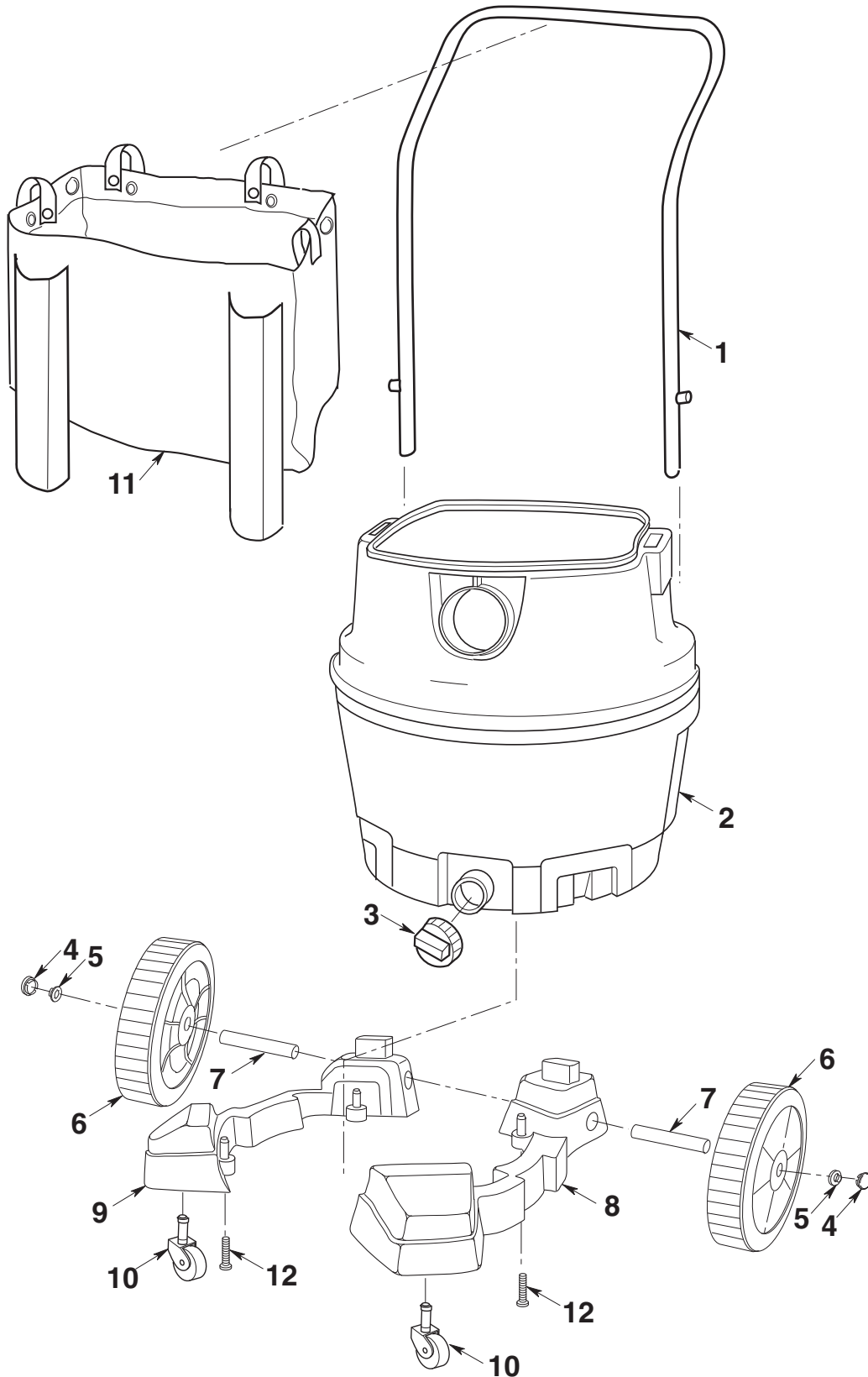
**Vous pouvez vous procurer des pièces de rechange RIDGID
en vous adressant à votre distributeur local RIDGID.**

Pour commander, utiliser toujours le numéro de pièce – pas le numéro de légende

⚠ AVERTISSEMENT : pour réduire le risque de blessures causées par les chocs électriques, débranchez le cordon d'alimentation avant de réparer les éléments électriques de l'aspirateur de liquides et de poussières.

Légende N°	RV2400A Pièce N°	RV2600B Pièce N°	Description
1	830686	830686	Poignée
2	830683-1	830683	Ensemble de tambour à poussière
3	73185	73185	Capuchon de drain
4	830611	830611	Chapeau de roue
5	813836-1	813836-1	Écrou borgne de 1/2 po
6	830682	832190	Ensemble de roue de 8 po (comprend les légendes n° 4 et 5)
7	831024	831024	Arbre
8	830576	830576	Chariot, côté droit
9	830577	830577	Chariot, côté gauche
10	832123	832123	Roulette
11	830597-2	831668-1	Fourre-tout
12	820563-5	820563-5	Vis de type « AB », n° 10 x 1-3/4 po
13	509944	509944	Sachet de pièces détachées (n'est pas illustré) (comprend les légendes n° 4, 5, 10 et 12)

Pièces de rechange (suite)



RIDGID®



- **Ce qui est couvert par la garantie**

Les aspirateurs de liquides et de poussières RIDGID® sont garantis sans défauts de matériau ou de façon.

- **Durée de la garantie**

Cette garantie est valable pendant toute la durée de vie de l'aspirateur de liquides et de poussières RIDGID®.

- **Le service après-vente**

Pour tirer parti de cette garantie, le produit complet doit être renvoyé en port payé à RIDGE TOOL COMPANY, Elyria, Ohio ou bien à un quelconque CENTRE DE SERVICE APRÈS-VENTE RIDGID® AGRÉÉ. Les clés à tube et autres outils à main devront être renvoyés au point de vente où ils ont été achetés.

- **Les mesures de rectification des problèmes**

Les aspirateurs de liquides et de poussières sous garantie seront réparés ou remplacés, au choix de Ridge Tool Company, et ils vous seront renvoyés gratuitement; ou, si au bout de trois tentatives de réparation ou de remplacement pendant la période de garantie, l'aspirateur de liquides et de poussières est toujours défectueux, vous pourrez demander à obtenir un remboursement intégral de votre prix d'achat.

- **Ce qui n'est pas couvert par la garantie**

Les défaillances causées par une utilisation abusive ou non conforme aux instructions, ou par l'usure ordinaire, ne sont pas couvertes par cette garantie. **RIDGE TOOL COMPANY N'EST RESPONSABLE D'AUCUN DOMMAGE SECONDAIRE OU INDIRECT.**

- **Effet des lois locales sur cette garantie**

Au Canada, certaines provinces ne permettent peut-être pas l'exclusion ou la limitation des dommages secondaires ou indirects; par conséquent, il est possible que l'exclusion ou la limitation susmentionnée ne s'applique pas à vous. Cette garantie vous confère des droits contractuels spécifiques, et vous disposez peut-être d'autres droits qui peuvent varier d'une province à l'autre.

- **Aucune autre garantie expresse ne s'applique**

La présente GARANTIE À VIE COMPLÈTE est la garantie unique et exclusive concernant les produits RIDGID®. Aucun salarié, agent, distributeur ou autre n'est autorisé à modifier cette garantie ou à offrir une quelconque autre garantie de la part de Ridge Tool Company.

Stock N° RV2400A ou RV2600B

Modèle N° RV24000 ou RV26000

Le numéro de modèle et le numéro de série sont indiqués près de l'orifice de soufflerie. Il est recommandé d'inscrire ces deux numéros en lieu sûr pour référence future.



EMERSON™

Commercial & Residential Solutions

© 2012 Emerson

Pièce N° SP6729

Imprimé N° SP6729-1

Imprimé au Mexique 12/12