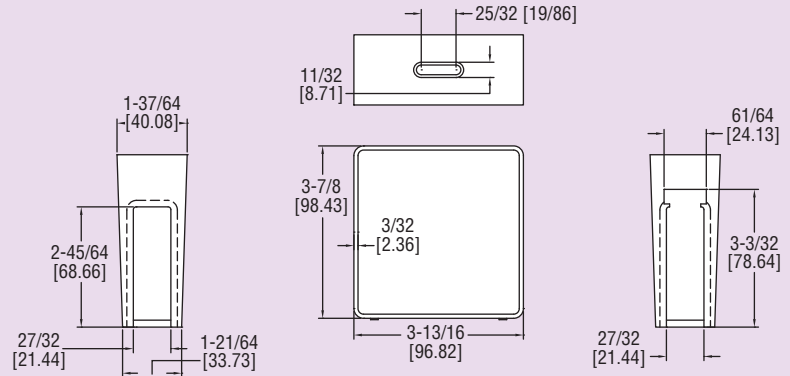




Model
480

Vaneometer™ Swing Vane Anemometer

Use This Sensitive Dwyer Unit to Measure Low Air Velocities — at Low Cost*



The 480 Vaneometer™ Swing Vane Anemometer is a durable low-priced instrument specifically designed to simplify the measurement of low air velocities from 25 to 400 FPM. OSHA, EPA and other safety ventilation requirements for spray booths and at fume, smoke and dust exhaust hoods can now be quickly checked, even by untrained personnel. Its small size and light weight – only four ounces make it ideal to carry from one work station to another. A versatile steel mounting bracket for continuous monitoring is also included. The Vaneometer™ Swing Anemometer is accurate to $\pm 5\%$ of full-scale to 100 FPM and $\pm 10\%$ from 100 FPM to top of scale. It has a spirit level to ensure accurate readings and the large scales are easy to read and visible from both sides. The housing is molded from tough ABS plastic and easy to clean with soap and water. The polyester vane can be cleaned with lacquer thinner. A spare vane is provided.

Model	Description
480	25 to 400 FPM
M480	0 to 2.0 m/s
A-390	Extra vanes, pkg. of 2
A-406	Molded carrying case
A-407	Plastic carrying pouch



Use a Vaneometer™ Swing Vane Anemometer to measure velocity of air flow into laboratory fume hoods and at paint spray booths to determine when to change filters. Or wherever needed to meet OSHA standards of ventilation for smoke, dust or fume removal.