

**K-75A/B**  
**K-1500A/B**  
**K-1500SP**

**OPERATOR'S  
MANUAL**

- Français – 15
- Castellano – pág. 31

# Drain Cleaning Machines



**⚠ WARNING!**

Read this Operator's Manual carefully before using this tool. Failure to understand and follow the contents of this manual may result in electrical shock, fire and/or serious personal injury.

**RIDGID**<sup>®</sup>

## Table of Contents

<b>Recording Form for Machine Model and Serial Number</b> .....	1
<b>General Safety</b>	
Work Area Safety .....	2
Electrical Safety.....	2
Personal Safety .....	2
Tool Use and Care .....	3
Service .....	3
<b>Specific Safety Information</b>	
Drain Cleaner Safety .....	3
<b>Description, Specifications and Standard Equipment</b>	
Description .....	4
Specifications .....	4
Standard Equipment.....	4
<b>Machine Inspection</b> .....	5
<b>Machine Set-Up</b> .....	6
<b>Operating Instructions</b> .....	7
<b>Special Procedures</b>	
Reverse Operation .....	8
Cable Applications.....	8
Storing and Transporting Cable (“A” Frame Models) .....	9
<b>Accessories</b>	
Cable Selection .....	9
Accessories and Tools Available For Cables .....	10
<b>Maintenance Instructions</b>	
Lubrication .....	11
Cables .....	11
Clutch Jaws Replacement .....	11
Removing Clutch End Play.....	11
V-Belt Adjustment.....	12
<b>Machine Storage</b> .....	12
<b>Service and Repair</b> .....	12
<b>Wiring Diagram</b> .....	13-14
<b>Lifetime Warranty</b> .....	Back Cover



# K-75A/B, K-1500A/B & K-1500SP Drain Cleaning Machines



<b>Drain Cleaning Machines</b>	
Record Serial Number below and retain product serial number which is located on nameplate.	
Serial No.	

## General Safety Information

**WARNING!** Read and understand all instructions. Failure to follow all instructions listed below may result in electric shock, fire, and/or serious personal injury.

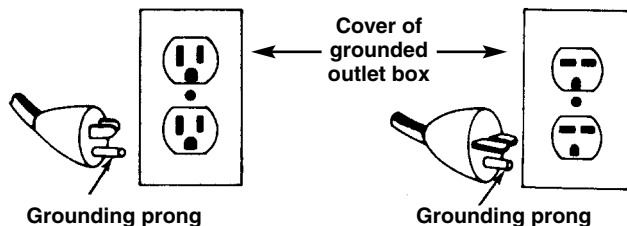
### SAVE THESE INSTRUCTIONS!

### Work Area Safety

- **Keep your work area clean and well lit.** Cluttered benches and dark areas invite accidents.
- **Do not operate tools in explosive atmospheres, such as in the presence of flammable liquids, gases, or dust.** Tools create sparks which may ignite the dust or fumes.
- **Keep bystanders, children, and visitors away while operating a tool.** Distractions can cause you to lose control.

### Electrical Safety

- **Grounded tools must be plugged into an outlet, properly installed and grounded in accordance with all codes and ordinances. Never remove the grounding prong or modify the plug in any way. Do not use any adapter plugs. Check with a qualified electrician if you are in doubt as to whether the outlet is properly grounded.** If the tools should electrically malfunction or break down, grounding provides a low resistance path to carry electricity away from the user.



- **Avoid body contact with grounded surfaces such as pipes, radiators, ranges and refrigerators.** There is an increased risk of electrical shock if your body is grounded.
- **Don't expose electrical tools to rain or wet conditions.** Water entering a power tool will increase the risk of electrical shock.
- **Do not abuse cord. Never use the cord to carry the tools or pull the plug from an outlet. Keep cord away from heat, oil, sharp edges or moving parts. Replace damaged cords immediately.** Damaged cords increase the risk of electrical shock.

- **When operating a power tool outside, use an outdoor extension cord marked "W-A" or "W".** These cords are rated for outdoor use and reduce the risk of electrical shock.
- **Use only three-wire extension cords which have three-prong grounding plugs and three-pole receptacles which accept the machine's plug.** Use of other extension cords will not ground the tool and increase the risk of electrical shock.
- **Use proper extension cords.** (See chart.) Insufficient conductor size will cause excessive voltage drop and loss of power.

Minimum Wire Gauge for Extension Cord			
Nameplate Amps	Total Length (in feet)		
	0 – 25	26 – 50	51 – 100
0 – 6	18 AWG	16 AWG	16 AWG
6 – 10	18 AWG	16 AWG	14 AWG
10 – 12	16 AWG	16 AWG	14 AWG
12 – 16	14 AWG	12 AWG	NOT RECOMMENDED

- **Before using, test the Ground Fault Circuit Interrupter (GFCI) provided with the power cord to insure it is operating correctly.** GFCI reduces the risk of electrical shock.
- **Extension cords are not recommended unless they are plugged into a Ground Fault Circuit Interrupter (GFCI) found in circuit boxes or receptacles.** The GFCI on the machine power cord will not prevent electrical shock from the extension cords.
- **Keep all electrical connections dry and off the ground. Do not touch plug with wet hands.** Reduces the risk of electrical shock.

### Personal Safety

- **Stay alert, watch what you are doing and use common sense when operating a power tool. Do not use tool while tired or under the influence of drugs, alcohol, or medications.** A moment of inattention while operating power tools may result in serious personal injury.
- **Dress properly. Do not wear loose clothing or jewelry. Contain long hair. Keep your hair, clothing, and gloves away from moving parts.** Loose clothes, jewelry, or long hair can be caught in moving parts.
- **Avoid accidental starting. Be sure switch is OFF before plugging in.** Carrying tools with your finger on the switch or plugging tools in that have the switch ON invites accidents.

- **Remove adjusting keys or wrenches before turning the tool ON.** A wrench or a key that is left attached to a rotating part of the tool may result in personal injury.
- **Do not over-reach. Keep proper footing and balance at all times.** Proper footing and balance enables better control of the tool in unexpected situations.
- **Use safety equipment. Always wear eye protection.** Dust mask, non-skid safety shoes, hard hat, or hearing protection must be used for appropriate conditions.

### Tool Use and Care

- **Use clamp or other practical way to secure and support the workpiece to a stable platform.** Holding the work by hand or against your body is unstable and may lead to loss of control.
- **Do not force tool. Use the correct tool for your application.** The correct tool will do the job better and safer at the rate for which it is designed.
- **Do not use tool if switch does not turn it ON or OFF.** Any tool that cannot be controlled with the switch is dangerous and must be repaired.
- **Disconnect the plug from the power source before making any adjustments, changing accessories, or storing the tool.** Such preventive safety measures reduce the risk of starting the tool accidentally.
- **Store idle tools out of the reach of children and other untrained persons.** Tools are dangerous in the hands of untrained users.
- **Maintain tools with care. Keep cutting tools sharp and clean.** Properly maintained tools with sharp cutting edges are less likely to bind and are easier to control.
- **Check for misalignment or binding of moving parts, breakage of parts, and any other condition that may affect the tool's operation. If damaged, have the tool serviced before using.** Many accidents are caused by poorly maintained tools.
- **Use only accessories that are recommended by the manufacturer for your model.** Accessories that may be suitable for one tool may become hazardous when used on another tool.
- **Keep handles dry and clean; free from oil and grease.** Allows for better control of the tool.

### Service

- **Tool service must be performed only by qualified repair personnel.** Service or maintenance performed by unqualified repair personnel could result in injury.

- **When servicing a tool, use only identical replacement parts. Follow instructions in the Maintenance Section of this manual.** Use of unauthorized parts or failure to follow maintenance instructions may create a risk of electrical shock or injury.

## Specific Safety Information

### ▲ WARNING

**Read this operator's manual carefully before using the K-75/K-1500 Drain Cleaners. Failure to understand and follow the contents of this manual may result in electrical shock, fire and/or serious personal injury.**

### Drain Cleaner Safety

- **Wear leather mitt provided with the machine. Never grasp a rotating cable with a rag or loose fitting cloth glove.** It could get wrapped around the cable and cause serious injury.
- **Do not overstress cables. Keep one hand on the cable for control when the machine is running.** Overstressing cables because of obstruction may cause twisting or kinking or breaking of the cable and result in serious injury.
- **Position machine within two feet of inlet. Use Front End Guide Hose when it is difficult to locate the machine near the access or clean out.** Greater distances can result in cable twisting or kinking.
- **Do not operate machine in (REV) reverse.** Operating machine in reverse can result in cable damage and is used only to back tool out of an obstruction.
- **Operate machine from the side with the FOR/OFF/-REV Switch.** Allows for better control of the machine.
- **Use Rear Guide Hose.** Prevents cable from whipping and picking up debris.
- **Never operate machine with belt guard removed.** Fingers can be caught between the belt and pulley.
- **Be careful when cleaning drains where cleaning compounds have been used. Avoid direct contact with skin and eyes.** Serious burns can result from some drain cleaning compounds.
- **Do not operate machine if operator or machine is standing in water.** Will increase the risk of electrical shock.

- **Wear safety glasses and rubber soled, non-slip shoes.** Use of this safety equipment may prevent serious injury.
- **Only use the K-75 to clean drain lines up to 4" in diameter and the K-1500 machine up to 10" in diameter. Follow instructions on the use of the machine.** Other uses or modifying the drain cleaner for other applications may increase the risk of injury.

**Description, Specifications and Standard Equipment**

**Description**

The RIDGID K-75A/B, K-1500A/B & K-1500SP Drain Cleaning Machines are for cleaning 1 1/4" through 10" lines. These machines are driven by induction motors that have a grounded electrical system. An integral Ground Fault Interrupter (GFCI) is built into the line cord. A toggle or rotary switch provides FORWARD/OFF/REVERSE control of the motor.

Machines are designed to use sectional-type cable that has a quick coupling system for disconnecting tools. The cable is manually fed in and out of the machine and rotates at a cable speed of 600 to 700 RPM. The rotation of the cable is controlled by a clutch handle. The cable stops instantly when the clutch handle is released.

K-75 machines come equipped to run 7/8" cable to clean 2" – 4" lines through 175'. They can be adapted to use 5/8" cable to clean 1 1/4" to 3" lines.

K-1500 machines come equipped to run 1 1/4" cable to clean 3" – 10" lines through 200' – the 1500SP through 300'. They can be easily adapted to use 7/8" cable to clean 2" – 4" lines.

**Specifications**

Line Capacity .....Depends on choice of cable. Refer to the chart for recommendations

**Motor:**

**K-75A/B**

Type.....115V/60Hz, Reversible  
 Rating .....1/2 HP  
 Amps.....7.2

**K-1500A/B**

Type.....115V/60Hz, Reversible, 230V-240V/50Hz Versions Available Upon Request  
 Rating .....3/4 HP  
 Amps.....10.4

**K-1500A/B-SP**

Type.....115V/240V/50-60Hz, Reversible, Total Enclosed Fan Cooled  
 Rating .....1 HP  
 Amps.....15

**Frame:**

A Style.....2 Wheels In Rear w/Upright Handle On Frame Assembly and Cable Storage Capacity  
 B Style .....2 Wheels In Front On Frame Assembly.

See the RIDGID RT Catalog for machine model options and accessories. Every machine model includes as standard equipment:

- A-1 Operator's Mitt
- A-12 Pin Key
- A-34-12 Rear Guide Hose

**Chart 1**

Model No.	Frame Style	Cable Size	Capacity		Horsepower	Overall Height	Width	Length	Machine Wt. Lbs.
			Line	Reach					
K-75A K-75A-SE	A	5/8"	1 1/4" - 3"	125'	1/2 HP at 640 RPM	41 1/2"	20 3/4"	16"	88
K-75B K-75B-SE	B	7/8"							
K-1500A K-1500A-SE	A	7/8"	3" - 10"	200'	3/4 HP at 710 RPM	41 1/2"	20 3/4"	16"	92
K-1500B K-1500B-SE	B	1 1/4"							
K-1500SP K-1500SPA	B A	7/8" 1 1/4"	2" - 4" 3" - 10"	175' 300'	1HP at 600 RPM	27 3/4" 41 1/2"	20 3/4" 20 3/4"	40 5/8" 16"	110 138



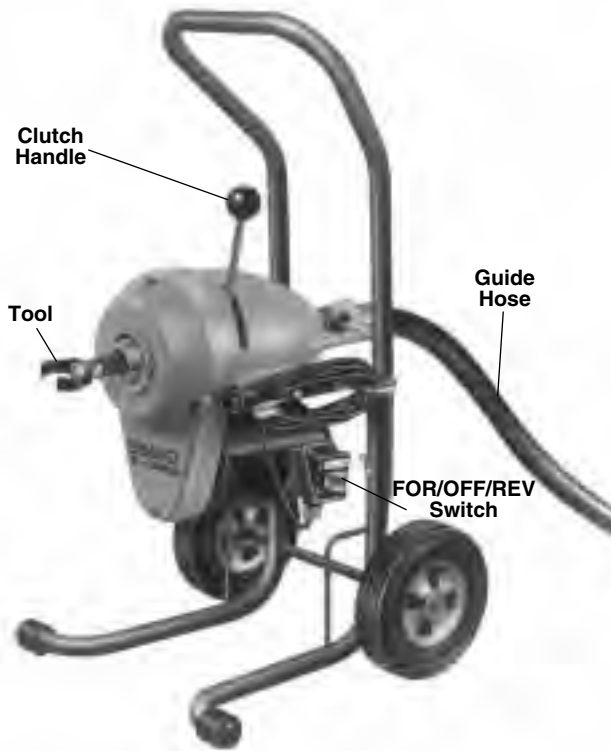


Figure 1 – K-75A, K-1500A and K-1500SPA Drain Cleaners

are present, do not use the Drain Cleaning Machine until any problem has been repaired.

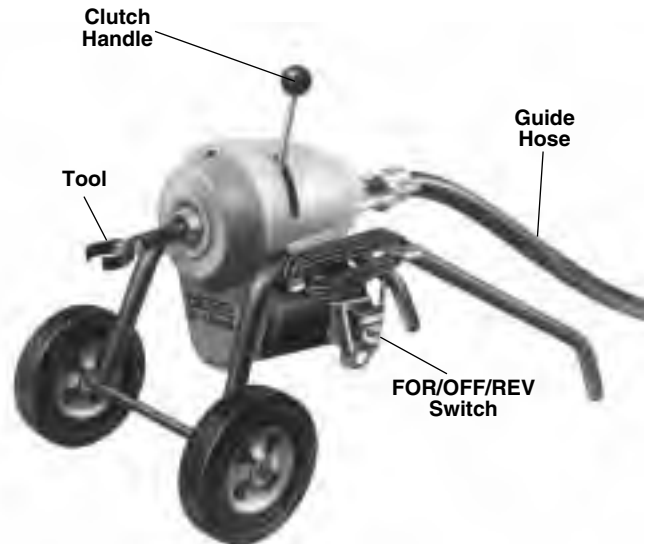
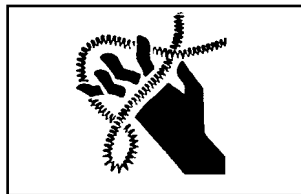


Figure 2 – K-75B, K-1500B and K-1500SP Drain Cleaning Machines

## Machine Inspection

**▲ WARNING**



**To prevent serious injury, inspect your Drain Cleaning Machine. The following inspection procedures should be performed before each use.**

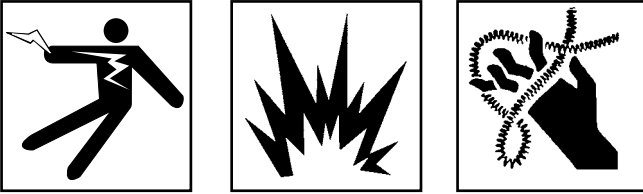
1. Make sure the Drain Cleaning Machine is unplugged and the directional switch is set to the **OFF** position (Figures 1 and 2).
2. Inspect the power cord, Ground Fault Circuit Interrupter (GFCI) and plug for damage. If the plug has been modified, is missing the grounding prong or if the cord is damaged, do not use the Drain Cleaning Machine until the cord has been replaced.
3. Inspect the Drain Cleaning Machine for any broken, missing, misaligned or binding parts as well as any other conditions which may affect the safe and normal operation of the machine. If any of these conditions

4. Lubricate the Drain Cleaning Machine, if necessary, according to the Maintenance Instructions.
5. Use tools and accessories that are designed for your drain cleaner and meet the needs of your application. The correct tools and accessories allow you to do the job successfully and safely. Accessories suitable for use with other equipment may be hazardous when used with this drain cleaner.
6. Clean any oil, grease or dirt from all equipment handles and controls. This reduces the risk of injury due to a tool or control slipping from your grip.
7. Inspect the cutting edges of your tools. If necessary, have them sharpened or replaced prior to using the Drain Cleaning Machine. Dull or damaged cutting tools can lead to binding and cable breakage.
8. Inspect cables and couplings for wear and damage. Cables should be replaced when they become severely worn or corroded. A worn cable can be identified when the outside coils become flat.

**▲ WARNING** Worn or damaged cables can break causing serious injury.

## Machine Set-Up

**⚠ WARNING**



**Do not place machine in water. Water entering the motor can result in electrical shock.**

**To prevent serious injury, proper set-up of the machine and work area is required. The following procedures should be followed to set-up the machine:**

1. Check work area for:
  - Adequate lighting
  - Grounded electrical outlet
  - Clear path to the electrical outlet that does not contain any sources of heat or oil, sharp edges or moving parts that may damage electrical cord.
  - Dry place for machine and operator. Do not place the machine in water.
  - Flammable liquids, vapors or dust that may ignite.
2. Position the Drain Cleaning Machine within 2' of sewer inlet. Greater distance can result in cable twisting or kinking.
3. Make sure FOR/OFF/REV switch is in the **OFF** position.



**Figure 3 – Rear Guide Hose Attachment**

4. Attach the rear guide hose by sliding guide hose adapter onto the guide hose pins (*Figure 3*).

**⚠ WARNING** Do not use machine without rear guide hose attached. Prevents cable whipping, possible entanglement and a cleaner jobsite.

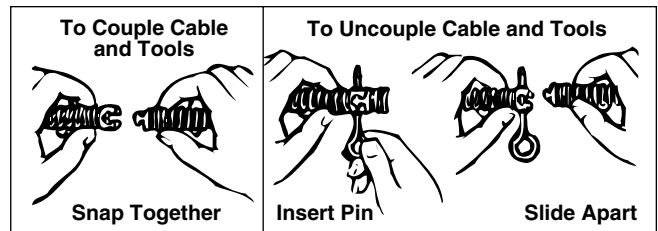
5. Insert first cable into front of machine (female end first) and push through guide hose until approximately one foot remains out the front of the machine (*Figure 4*).



**Figure 4 – Inserting Cable Into Front Of Machine**

**⚠ WARNING** Never couple more than one cable at a time. Cable will extend behind rear guide tube.

6. Select and install the proper tool to the end of the cable. The T-Slot Coupler allows the tool to be snapped into the cable coupler (*Figure 5*). To remove tool, use the pin key to depress the plunger and slide the coupling apart.



**Figure 5 – Coupling and Uncoupling Tools**

**NOTE! Proper Tool Selection**

A good rule of thumb is to use a tool at least 1" smaller than the line to be cleaned. The style of the tool is determined by the nature of the job and is left up to the operator.

7. Plug the Drain Cleaning Machine into the electrical outlet, making sure to position the power cord along the clear path selected earlier. If the power cord does not reach the outlet, use an extension cord in good condition.

**⚠ WARNING** To avoid electric shock and electrical fires, never use an extension cord that is damaged or does not meet the following requirements:

- The cord has a three-prong plug similar to shown in Electrical Safety section.

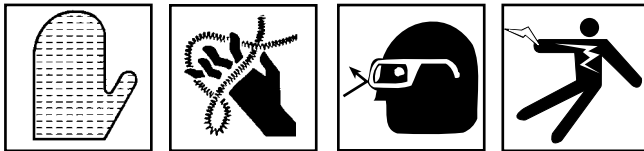


- The cord is rated as “W” or “W-A” if being used outdoors.
- The cord has sufficient wire thickness (14 AWG - 50'). If the wire thickness is too small, the cord may overheat, melting the cord’s insulation or causing nearby objects to ignite.

**▲ WARNING** To reduce risk of electrical shock, keep all electrical connections dry and off the ground. Do not touch plug with wet hands. Test the Ground Fault Circuit Interrupter (GFCI) provided with the electric cord to insure it is operating correctly. When test button is pushed in, the indicator light should go off. Reactivate by pushing the reset button in. If indicator light goes on, the machine is ready to use. If the GFCI does not function correctly, do not use the machine.

## Operating Instructions

**▲ WARNING**



**Wear mitts with rivets provided with machine. Never grasp a rotating cable with a rag, loose fitting cloth or leather glove that may become wrapped around the cable causing serious injury.**

**Always wear eye protection to protect your eyes against dirt and other foreign objects. Wear rubber soled, non-slip shoes.**

**Be very careful when cleaning drains where cleaning compounds have been used. Wear gloves when handling cable and avoid direct contact to the skin and especially the eyes and facial area as serious burns can result.**

**Do not operate if clutch handle is damaged or does not function properly. Clutch is a safety feature designed to stop rotation of cable when released.**

**CAUTION** It is important to know approximate distance from inlet to main sewer or septic tank. Over-running cable too far into main sewer or septic tank can cause cables to knot up and prevent their return through small lines. If main is 12 inches or larger and standard 1 1/4" cable is being used, do not allow more than 10 to 15 feet of overrun. When working into a septic tank do not allow more than 3 to 5 feet overrun.

1. Assume the correct operating posture in order to maintain proper balance (Figure 6).

**▲ WARNING** Should an unexpected situation arise, this posture provides you with the opportunity to safely keep control of the machine and cable.

- Be sure you can quickly release the clutch handle.

- Hand must be on the cable to control its twisting action when it hits an obstruction.
- Must have access to FOR/OFF/REVERSE switch.



Figure 6 – Proper Operating Position

2. Pull sufficient cable out of the machine to start tool and cable into the sewer inlet. Push cable into inlet as far as it will go.
3. Pull enough extra cable through machine to form almost a half circle between machine and line opening.
4. Hold cable loosely in mitted hand. Put FOR/OFF/REVERSE/ switch in FOR (forward) position.

NOTE! The motor will start but cable will not rotate.

5. With mitted hand on cable, push down on clutch handle with opposite hand to engage cable. Push down on top of the cable loop with a definite snap to advance the cable.

NOTE! A slow or gradual engaging of the clutch handle causes excessive wear of the jaw set. The clutch is instant-acting and returning clutch handle to its original position frees cable instantly.

6. As soon as excess cable has gone into line, release clutch handle and pull six to ten inches of cable out of machine with mitted hand.
7. Continue to feed the cable into the line until resistance or obstruction is encountered. This will become apparent to operator as it will be difficult to feed additional cable into line and/or the cable will have a tendency to twist sideways in operator’s hands.

8. If cable loads down in the obstruction, relieve load by pulling back on cable with short, quick jerks to free cutter. Slowly advance cable back into the obstruction. Repeat this process until the obstruction is clear. Remember, make sure the cutter is rotating at all times and never force the cable. At this point, progress depends upon the sharpness of the tool and nature of the obstruction.

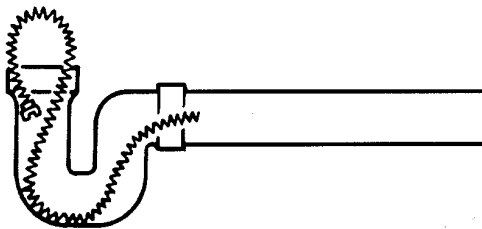
**▲ WARNING**

**Do not allow tension to build up in the cable. This will happen if the cutting tool hits a snag and stops turning, but the motor and cable continue to rotate. Torque builds until the cable suddenly twists, potentially wrapping around your hand or arm. This can happen quickly and without warning, so proceed slowly and carefully as you feed the cable into the drain. Releasing clutch handle will stop the cable rotating and releases the torque. If tool gets hung up in an obstruction, refer to Reverse Operating Instructions in the “Special Procedures” section.**

9. Once obstruction is cleared, it is recommended that operator flush debris from line with running water. Repeat Step 8 several times if necessary for thorough cleaning job and then work cable through additional stoppages as required.

10. To add cable, the following procedure should be followed:

- After reaching the end of each cable section, turn the machine OFF.
- Secure the cable by looping it in the line (Figure 7). This procedure is especially useful when cleaning a line with a steep grade.



**Figure 7 – Looping Cable In Line**

- With line secured, insert another section of cable in through the front of the machine (female end first) until approximately one foot remains out the front of the machine.
  - Attach cable to cable in line and resume operation.
11. To retrieve cable from drain line, the following procedure should be followed:
- Leave FOR/OFF/REV switch in FOR (forward) position.

- Push down on clutch handle to engage cable. With mitted hand pull cable out of line (if possible) or hold cable against edge of inlet to thread the cable out until loop forms in front of the machine.

**NOTE!** By holding the cable against the edge of the inlet, the rotation will rapidly “thread” the cable out of the line.

- When loop forms, release clutch handle and push excess cable back through machine. Disconnect one section at a time.

**▲ WARNING** When disconnecting sections, remember to turn unit off and secure cable in line.

- Once section of cable is removed, insert the secured cable in through the front of the machine and continue removing sections until tool on last section of cable is just inside sewer inlet.

**HINT!** When placing removed cables back into cable carrier, reconnect all cables. This assures easy removal at next job.

**▲ WARNING** Never retract tool from sewer inlet while cable is rotating. Tool can whip causing serious injury.

12. Turn FOR/OFF/REV Switch to OFF position.
13. Pull remaining cable and tool from sewer.
14. Unplug power cord and remove guide hose.

**CAUTION** After using, thoroughly flush and drain cables, couplings and tools with water due to damaging effects of some drain cleaning compounds.

**Special Procedures**

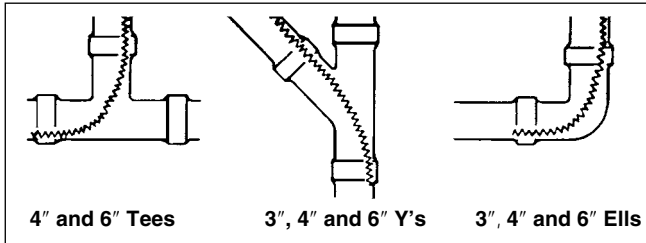
**Reverse Operation**

Running machine in reverse will cause premature failure of cable. Use reverse only to free a tool or cable caught in an obstruction. If this should occur, immediately release clutch handle and place FOR/OFF/REV switch to OFF position. After motor comes to a complete stop, place FOR/OFF/REV switch in the REV (reverse) direction. Engage clutch handle only until cable or tool is free of obstruction. Once it is free, release clutch handle immediately. Turn unit OFF. Run unit in FOR (forward) direction and follow normal operating procedure.

**▲ WARNING** Never operate this machine in REV (reverse) for any other purpose. Operating in reverse can damage a cable and cause serious injury.

**Cable Applications**

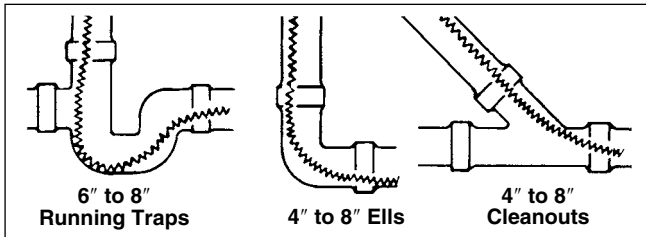
**Standard Cable** Standard 7/8" or 1 1/4" cable can be used in straight lines from 3" through 6" and through fittings. (Figure 8)



**Figure 8 – Standard Cable Application**

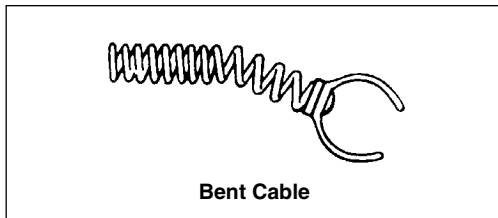
**Heavy-Duty Cable** Where conditions allow, heavy-duty 1¼ inch cable, such as C-14, should be used for faster results and longer cable life. The heavy-duty cables work effectively in 4" through 8" straight lines. (Figure 9)

**NOTE!** This type cable should not be used in areas where 4" "P" traps or 4" running traps are currently in use.



**Figure 9 – Heavy Duty Cable Application**

**Faster Cleaning** Obstructions of grease or fats can be cleaned faster and more effectively by bending the cable some 6" or 8" behind the cutter. (Figure 10)



**Figure 10 – Bending Cable for Faster Cleaning**

**Storing And Transporting Cable**

("A" Frame Models Only)

Cables can be stored and transported on "A" frame models as shown in Figure 11.



**Figure 11 – Storing Cables On "A" Frame Models**

**Accessories**

**⚠ WARNING** Only the following RIDGID products have been designed to function with the Sectional Drain Cleaning Machines. Other accessories suitable for use with other tools may become hazardous when used on the machines. To prevent serious injury, use only the recommended accessories.

**K-75A/B Machines**

**Cables and Leaders**

Catalog No.	Model No.	Description
62275	C-10	15' All-Purpose Wind (4.6m)
30007	T-127	7/8" Trap Leader

**5/8" Cables**

Catalog No.	Model No.	Description
51317	C-9	10' Heavy-Duty (3m)
62270	C-8	7 1/2' All-Purpose Wind (2.3m)
62265	C-7	7 1/2' Tight-Wind (2.3m)

**Accessories**

Catalog No.	Model No.	Description
59360	A-3	Tool Box
59205	A-1	Left-Hand Mitt
59295	A-2	Right-Hand Mitt
59225	A-12	Pin Key, 7/8" Cable
59230	A-13	Pin Key, 5/8" Cable
59470	A-8	Cable Carrier (Five Sections/C-10)
59210	A-10	Cable Carrier (Three Sections/C-10)
59425	A-36	Cable Caddy
59330	A-376X	Jawset Adapts K-75 to 5/8" Cable
59325	A-368X	7/8" Replacement Jawset
84315	A-34-8	8' Rear Guide Hose
59415	A-34-10	10' Rear Guide Hose
59395	A-34-12	12' Rear Guide Hose

**Tools for C-10 Cable - 7/8"**

Catalog No.	Model No.	Description	Replacement Blade(s)
62850	T-101	Straight Auger	—
62855	T-102	Funnel Auger	—
27642	T-125	Retrieving Auger	—
62860	T-103	Sawtooth Cutter, 2 1/2"	98070
62865	T-104	"H" Cutter, 2 1/2"	97800
62870	T-105	Grease Cutter, 2 1/2"	97920
62875	T-106	Grease Cutter, 3 1/2"	97925
62880	T-107	Spade Cutter, 1 3/4"	92850
62915	T-109	Spiral Sawtooth Cutter, 1 3/4"	97930
62920	T-110	Spiral Sawtooth Cutter, 2 1/4"	97935
62925	T-111	Spiral Sawtooth Cutter, 3"	92890
62930	T-112	4-Blade Cutter, 1 3/4"	97915
62935	T-113	4-Blade Cutter, 3"	97940
98050	T-150	Sharktooth Cutter, 3" and 4"	See Below
98055	T-150-1	Sharktooth Cutter, 3" Blade	98005
98060	T-150-2	Sharktooth Cutter, 4" Blade	98010
62940	T-114	Chain Knocker	97985

**K-1500A/B Machines**
**Cables and Leaders**

Catalog No.	Model No.	Description
92280	C-11	15' Standard All-Purpose Wind, 3/8" Pitch. Good for 4" Traps, 3" - 8" Lines.
62285	C-12	15' Extra-Heavy-Duty Wind, 3/8" Pitch. 4" - 10" Long Runs, No 4" Traps.
62295	C-14	15' Heavy-Duty Wind, 1/2" Pitch. 3" - 10" Lines Through Cleanout, No 4" Traps.
62300	C-15	15' Extra-Flexible Wind, 1/2" Pitch. 3" - 6" Lines Good for Traps.
63090	T-27	1 1/4" x 25' Leader
62275	C-10	15' Standard All-Purpose Wind, Requires A-368X Jawset 7/8" Tools

**Accessories**

Catalog No.	Model No.	Description
59470	A-8	Cable Carrier, 60' Capacity (1 1/4")
59210	A-10	Cable Carrier, 150' Capacity (1 1/4")
59415	A-34-10	10' Rear Guide Hose
59395	A-34-12	12' Rear Guide Hose
59400	A-34-16	16' Rear Guide Hose
59300	A-20	8' Front Guide Hose Assembly
59205	A-1	Left-Hand Mitt
59295	A-2	Right-Hand Mitt
59360	A-3	Tool Box
59225	A-12	Coupling Pin Key
59440	A-4	Trap Spoon (30")
59240	A-17	Manhole Guide Pipe
59320	A-369X	1 1/4" Replacement Jawset

**Tools for C-11, C-12, C-14 and C-15 Cables 1 1/4"**

Catalog No.	Model No.	Description
62840	T-1	Straight Auger
61800	T-2	Heavy-Duty Straight Auger
63105	T-3	Funnel Auger
61790	T-4	Heavy-Duty Funnel Auger
63190	T-5	Straight Retrieving Auger
63195	T-6	Funnel Retrieving Auger
63200	T-7	Hook Auger
63205	T-8	Grease Cutter, 2 1/2"
63210	T-9	Grease Cutter, 3 1/2"
62845	T-10	Grease Cutter, 4 1/2"
59480	T-11	"H" Cutter, 2 1/2"
59485	T-12	"H" Cutter, 3 1/2"
61970	T-13	Sawtooth Cutter, 2 1/2"
61975	T-14	Sawtooth Cutter, 3 1/2"
61770	T-15A	Expanding Cutter, 4" - 6"
61825	T-15B	Expanding Cutter, 6" - 8"
61960	T-16	Spiral Bar Cutter, 4"
61850	T-17	Spiral Bar Cutter, 6"
61855	T-18	Spiral Bar Cutter, 8"
59625	T-21	Spiral Sawtooth Cutter, 3 1/2"
63075	T-22	Spiral Sawtooth Cutter, 3"
63085	T-23	Spiral Sawtooth Cutter, 4"
59765	T-24	4-Blade Cutter, 2 1/2"
59770	T-25	4-Blade Cutter, 3 1/2"
59775	T-26	4-Blade Cutter, 4 1/2"
59780	T-26A	4-Blade Cutter, 5 1/2"
98030	T-50	Three Blade, 3" - 4" - 5"
98035	T-50-1	Sharktooth Cutter, 3"
98040	T-50-2	Sharktooth Cutter, 4"
98045	T-50-3	Sharktooth Cutter, 6"
63110	T-31	Chain Knocker, 3" - 4" Pipe
63115	T-32	Chain Knocker, 6" Pipe
63120	T-33	Chain Knocker, 8" Pipe
63145	T-38	Flue Brush, 1 1/2"
63150	T-39	Flue Brush, 2"
63155	T-40	Flue Brush, 2 1/2"
63160	T-41	Flue Brush, 3"
63165	T-42	Flue Brush, 3 1/2"
63170	T-43	Flue Brush, 4"
63175	T-44	Flue Brush, 4 1/2"
63240	T-45	Flue Brush, 5"
63180	T-46	Flue Brush, 5 1/2"
63185	T-47	Flue Brush, 6"

NOTE! See Ridge Tool Catalog for complete list of tools and accessories.



## Maintenance Instructions

### **▲ WARNING**

**Make sure machine is unplugged from power source before performing maintenance or making any adjustment.**

### Moving Parts Lubrication

Grease all exposed moving parts such as rocker arms and main bearing approximately every three months. Make sure to grease main bearing thru grease fitting inside clutch handle slot.

### Clutch Jaws Lubrication

Clean and lubricate clutch driver jaws with oil after each use.

### Cables

Cables should be thoroughly flushed with water to prevent damaging effects of sediment and drain cleaning compounds. Periodically lubricate cables and couplings with RIDGID Cable Rust Inhibitor.

When not in use, store cables indoors to prevent deterioration by the elements.

Cables should be replaced when they become severely corroded or worn. A worn cable can be identified when outside coils of cable become flat.

### Clutch Jaws Replacement

1. Remove four screws holding the front guard to the housing.
2. Remove screws from the nose piece assembly (Figure 12).



Figure 12 – Replacing Clutch Jaws

3. Slide out clutch driver jaws and replace with desired size jaws.



Figure 13 – Replacing Clutch Jaws

4. Replace nose piece assembly, screws and guard.

**▲ WARNING** Never operate machine with belt guard removed. Fingers can be caught between the belt and pulley.

### Removing Clutch End Play

1. To remove end play from clutch, loosen screw in Adjusting Nut. (Figure 14).
2. Turn lock and adjusting nut clockwise until snug against housing, then *back off* one half turn.
3. Tighten screw in lock and adjusting nut.



Figure 14 – Removing Clutch End Play

**V-Belt Adjustment**

Check V-Belt periodically for loosening. V-Belt should be kept tight at all times.

1. To tighten V-Belt remove Guard.
2. Loosen locknut, turn adjusting bolt slowly until V-Belt stiffens, tighten locknut. (Figure 15).

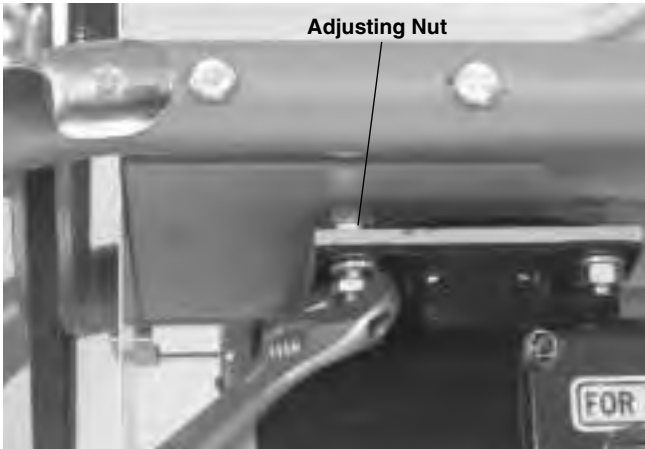


Figure 15 – Adjusting V-Belt Tension

**Machine Storage**

**⚠ WARNING** Motor-driven equipment must be kept indoors or well covered in rainy weather. Store the machine in a locked area that is out of reach of children and people unfamiliar with drain cleaners. This machine can cause serious injury in the hands of untrained users.

If machine has been exposed to freezing weather, unit must be run for ten (10) to twenty (20) minutes without load to warm up. Failing to do this will result in frozen bearings. If machine is exposed to weather for a period of time, moisture will form across motor windings causing motor to burn out.

**Service and Repair**

**⚠ WARNING**



The “Maintenance Instructions” will take care of most of the service needs of this machine. Any problems not addressed by this section should only be handled by an authorized RIDGID service technician.

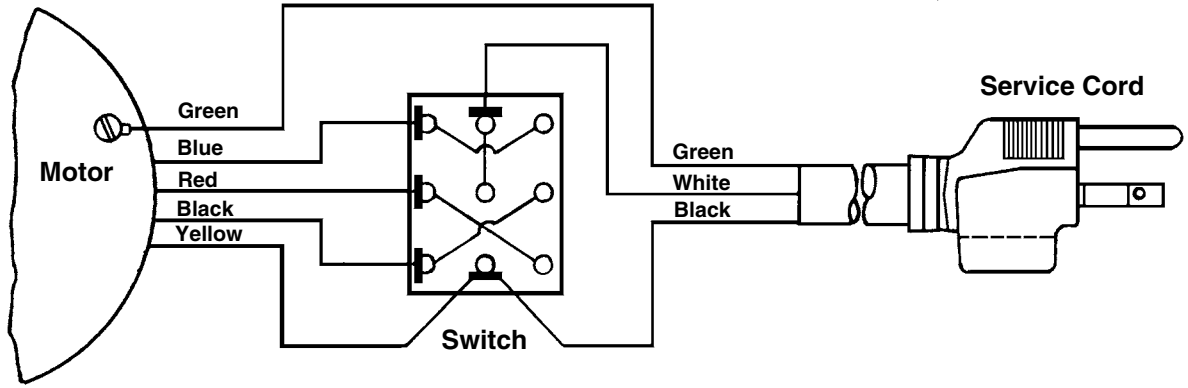
Tool should be taken to a RIDGID Independent Authorized Service Center or returned to the factory. All repairs made by Ridge service facilities are warranted against defects in material and workmanship.

**⚠ WARNING** When servicing this machine, only identical replacement parts should be used. Failure to follow these instructions may create a risk of electrical shock or other serious injury.



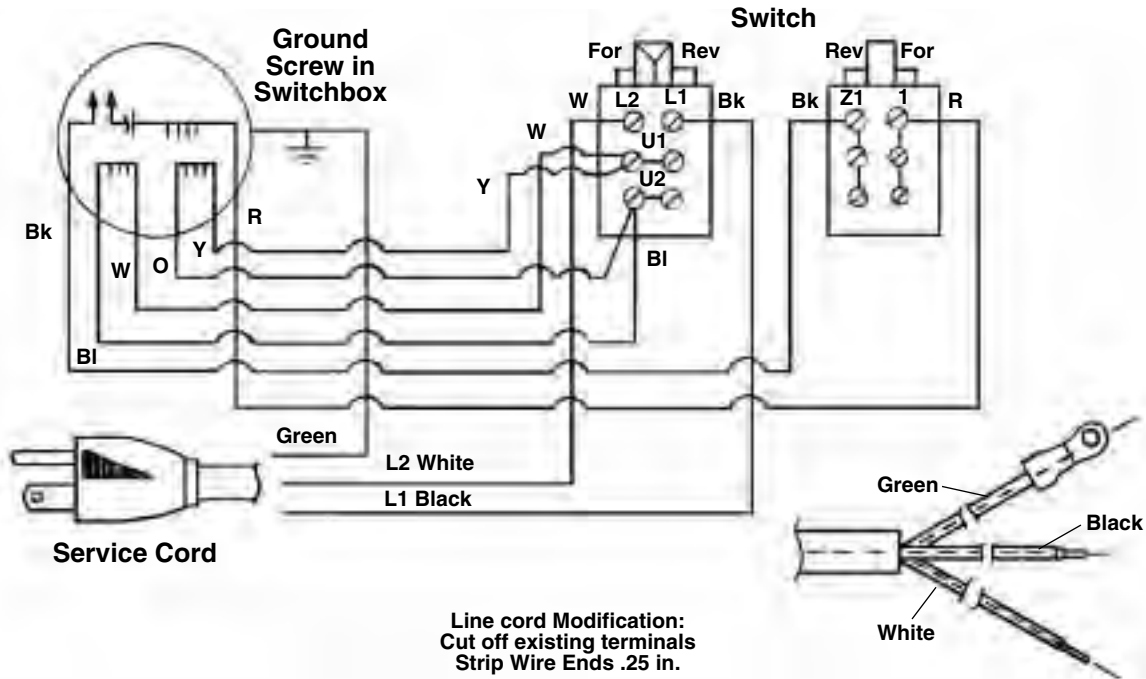
**K-75A/B & K-1500A/B Wiring Diagram**

**115V**



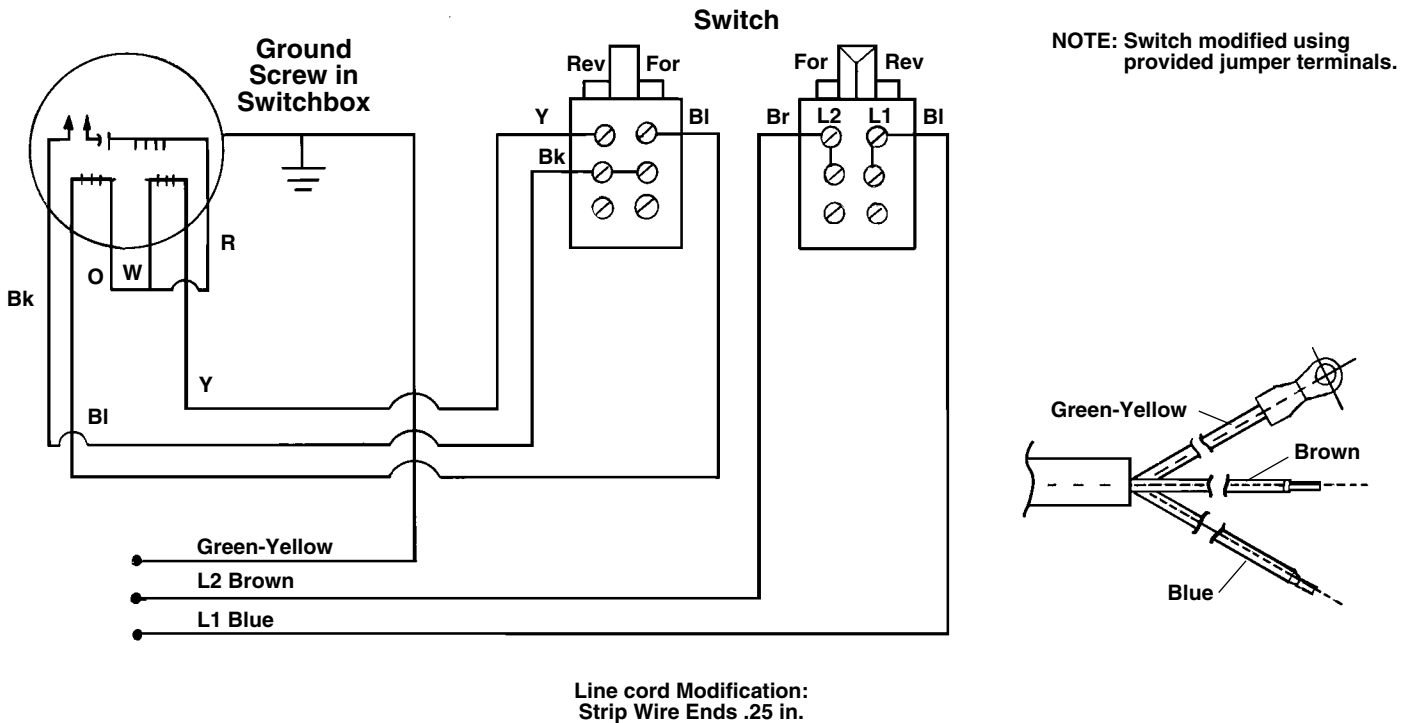
## K-1500SP Wiring Diagram

120V/60 Hz



## K-1500SP Wiring Diagram

220-240V/50 Hz





# Dégorgeoirs électriques K-75A/B, K-1500A/B et K-1500SP



<b>Dégorgeoir électriques</b>	
Inscrivez ci-dessous le numéro de série de la plaque signalétique l'appareil pour future référence.	
N° de série :	

**Table des matières**

Fiche d'enregistrement du numéro de série de la machine ..... 15

**Consignes générales de sécurité**

    Sécurité du chantier .....17

    Sécurité électrique.....17

    Sécurité individuelle .....17

    Utilisation et entretien de l'appareil .....18

    Service après-vente .....18

**Consignes de sécurité particulières**

    Sécurité du dégorgeoir ..... 19

**Description, spécifications et équipements de base**

    Description .....19

    Spécifications .....19

    Équipements de base.....20

**Inspection de la machine** ..... 20

**Préparation de la machine** ..... 21

**Utilisation de la machine** ..... 23

**Procédés spéciaux**

    Utilisation de la marche arrière.....24

    Câbles – types d'application.....25

    Stockage et transport des câbles (modèles à cadre type 'A') .....25

**Accessoires**

    Sélection des câbles .....26

    Accessoires et outils disponibles par type de câble .....27

**Entretien**

    Lubrification .....27

    Câbles .....27

    Remplacement des mâchoires d'embrayage .....27

    Élimination du jeu de l'embrayage .....28

    Réglage de la courroie d'entraînement .....28

**Stockage de la machine** .....28

**Service après-vente et réparations** .....29

**Schéma électrique**.....29-30

**Garantie à Vie** .....Page de garde

## Consignes générales de sécurité

**MISE EN GARDE !** Familiarisez-vous complètement avec l'ensemble des instructions. Le non-respect de ces consignes augmenterait les risques de choc électrique, d'incendie et/ou de graves blessures corporelles.

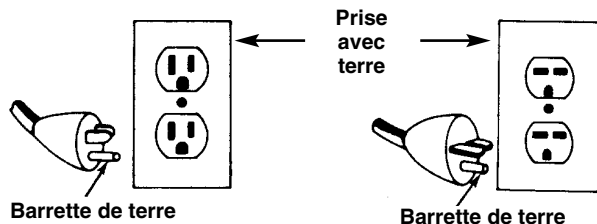
### **CONSERVEZ CES INSTRUCTIONS !**

### Sécurité du chantier

- **Maintenez le chantier propre et bien éclairé.** Les établis encombrés et le manque d'éclairage sont à l'origine de nombreux accidents.
- **N'utilisez pas d'appareils électriques en présence de combustibles tels que les liquides, gaz ou poussières inflammables.** Les appareils électriques produisent des étincelles capables d'enflammer les poussières et les émanations combustibles.
- **Ecartez les curieux, les enfants et les visiteurs lorsque vous utilisez un appareil électrique.** Les distractions éventuelles peuvent vous faire perdre le contrôle de l'appareil.

### Sécurité électrique

- **Les appareils électriques avec terre doivent être branchés sur une prise avec terre appropriée et conforme aux normes en vigueur. Ne jamais enlever la barrette de terre ou tenter de modifier la fiche d'aucune manière. Ne jamais utiliser d'adaptateurs de prise.** Consultez un électricien qualifié en cas de doute sur la bonne mise à la terre de la prise. En cas de panne ou de défaillance électrique de l'appareil, la mise à la terre assure un passage de faible résistance qui éloigne le courant électrique de l'opérateur.



- **Évitez tout contact avec les masses telles que tuyaux, radiateurs, cuisinières ou réfrigérateurs.** Les risques de choc électrique augmentent lorsque votre corps est en contact avec une masse.
- **N'exposez pas les appareils électriques à la pluie ou aux intempéries.** Toute pénétration d'eau à l'intérieur d'un appareil électrique augmente les risques de choc électrique.

- **Ne maltraitez pas le cordon électrique de l'appareil. Ne jamais porter l'appareil par son cordon électrique, ni tirer sur celui-ci pour débrancher l'appareil. Gardez le cordon à l'abri des sources de chaleur, de l'huile, des angles tranchants et des pièces mobiles. Remplacez immédiatement tout cordon endommagé.** Les cordons endommagés augmentent les risques de choc électrique.
- **Lorsque vous utilisez l'appareil à l'extérieur, utilisez une rallonge électrique portant la désignation "W-A" ou "W".** Ce type de rallonge est prévu pour être utilisé à l'extérieur et réduit les risques de choc électrique.
- **Utilisez uniquement des rallonges à trois fils équipées d'une fiche bipolaire plus terre à trois barrettes et d'une prise bipolaire plus terre qui correspond à la fiche de l'appareil.** L'utilisation d'autres types de rallonge électrique n'assurera pas la mise à la terre de l'appareil et augmentera les risques de choc électrique.
- **Utilisez la section de rallonge appropriée (voir le tableau).** Une section de conducteurs insuffisante provoquerait une perte de tension excessive, d'où un manque de puissance.

Section minimale des fils conducteurs des rallonges			
Ampères indiqués sur la plaque signalétique	Longueur totale (en pieds)		
	0 à 25	26 à 50	51 à 100
0 à 6	18 AWG	16 AWG	16 AWG
6 à 10	18 AWG	16 AWG	14 AWG
10 à 12	16 AWG	16 AWG	14 AWG
12 à 16	14 AWG	12 AWG	Déconseillé

- **Vérifiez le bon fonctionnement du disjoncteur différentiel du cordon d'alimentation avant d'utiliser l'appareil.** Le disjoncteur différentiel réduit les risques de choc électrique.
- **L'utilisation de rallonges électriques est déconseillée sauf si celles-ci sont branchées sur une boîte de dérivation ou une prise équipée d'un disjoncteur différentiel.** Le disjoncteur différentiel du cordon d'alimentation de la machine n'assure aucune protection contre les décharges électriques venant des rallonges.
- **Gardez les connexions électriques au sec et surélevées. Ne touchez pas la fiche avec les mains mouillées.** Cela réduit les risques de choc électrique.

### Sécurité individuelle

1. **Soyez attentif, concentrez-vous sur ce que vous faites et faites preuve de bon sens lorsque vous**

utilisez un appareil électrique. **N'utilisez pas ce type d'appareil lorsque vous êtes fatigués ou lorsque vous prenez des médicaments, de l'alcool ou des produits pharmaceutiques.** Un instant d'inattention peut entraîner de graves blessures lorsque l'on utilise un appareil électrique.

- **Habillez-vous de manière appropriée. Ne portez pas de vêtements amples ou de bijoux. Attachez les cheveux longs. Gardez vos cheveux, vos vêtements et vos gants à l'écart du mécanisme.** Les vêtements amples, les bijoux et les cheveux longs peuvent s'entraver dans le mécanisme.
- **Évitez les risques de démarrage accidentel. Assurez-vous que l'interrupteur marche/arrêt est en position OFF avant de brancher l'appareil.** Le fait de porter l'appareil avec un doigt sur la gâchette ou le brancher lorsque son interrupteur est en position de marche (ON) est une invitation aux accidents.
- **Enlevez les clés de réglage et autres outils avant de mettre l'appareil en marche.** Une clé laissée sur une partie rotative de l'appareil peut entraîner des blessures corporelles.
- **Ne vous mettez pas en porte-à-faux. Gardez une bonne assise et un bon équilibre à tous moments.** Une bonne assise et un bon équilibre vous permettent de mieux contrôler l'appareil en cas d'imprévu.
- **Utilisez les équipements de sécurité appropriés. Portez systématiquement des lunettes de sécurité.** Un masque à poussière, des chaussures de sécurité, le casque et/ou une protection auditive doivent être portés selon les conditions d'utilisation.

### Utilisation et entretien de l'appareil

- **Utilisez un serre-joint ou autre moyen approprié pour arrimer l'ouvrage sur une plate-forme stable.** Tenir l'ouvrage à la main ou contre le corps peut vous mettre en position d'instabilité et vous faire perdre le contrôle de l'appareil.
- **Ne forcez pas l'appareil. Utilisez un appareil qui soit adapté au travail prévu.** L'outil approprié assurera un meilleur travail et une meilleure sécurité s'il est utilisé au régime prévu.
- **N'utilisez pas un appareil si son interrupteur ne permet pas de le mettre en marche ou de l'arrêter.** Tout appareil qui ne peut pas être contrôlé par son interrupteur est dangereux et doit être réparé.
- **Débranchez l'appareil avant tout réglage ou changement d'accessoires, et avant de le ranger.** De telles mesures préventives réduisent le risque de démarrage accidentel de l'appareil.

- **Rangez les appareils non utilisés hors de la portée des enfants et des personnes non initiées.** Ces appareils sont dangereux entre les mains de personnes non initiées.
- **Entretenez les appareils consciencieusement. Maintenez les outils de coupe bien affûtés et en bon état de propreté.** Les outils bien entretenus et affûtés réduisent les risques de grippage et sont plus faciles à contrôler.
- **Assurez-vous qu'il n'y a pas de mauvais alignement ou de grippage au niveau du mécanisme ou d'autres conditions qui pourraient entraver le bon fonctionnement de l'appareil. Le cas échéant, faire réparer l'appareil avant de vous en servir.** De nombreux accidents sont le résultat d'un appareil mal entretenu.
- **Utilisez exclusivement les accessoires recommandés par le fabricant pour votre appareil particulier.** Des accessoires prévus pour un certain type d'appareil peuvent être dangereux lorsqu'ils sont montés sur un autre.
- **Gardez les poignées de la machine propres, sèches et dépourvues d'huile ou de graisse.** Cela vous permettra de mieux contrôler l'appareil.

### Service après-vente

- **Toutes réparations de l'appareil doivent être confiées à un réparateur qualifié.** La réparation ou l'entretien de l'appareil par du personnel non qualifié peut entraîner des blessures.
- **Lors de la réparation de l'appareil, utilisez exclusivement des pièces de rechange identiques à celles d'origine. Suivez les instructions de la section "Entretien" du mode d'emploi.** L'utilisation de pièces de rechange non homologuées et le non-respect des consignes d'entretien peut créer un risque de choc électrique ou de blessure corporelle.

### Consignes de sécurité particulières

#### **▲ MISE EN GARDE**

**Lisez soigneusement ce manuel avant d'utiliser les dégorgeoirs RIDGID K-75 ou K-1500. Le non-respect des consignes ci-devant augmenterait les risques de choc électrique, d'incendie et/ou de graves blessures corporelles.**



**Sécurité du dégorgeoir**

- **Portez les mitaines en cuir fournies avec la machine. Ne jamais tenter d'attraper un câble tournant avec un chiffon ou un gant en tissu mal ajusté.** Ceux-ci pourraient s'entortiller autour du câble et provoquer de graves blessures.
- **Ne forcez pas les câbles. Gardez votre main sur le câble afin de le contrôler durant sa rotation.** Forcer les câbles à la rencontre d'un obstacle risque de provoquer leur bouclage ou leur pincement et entraîner de graves blessures.
- **Positionnez la machine à moins de deux pieds (50cm) de l'entrée de la canalisation. Utilisez le guide-câble avant lorsqu'il est nécessaire de l'éloigner du point d'accès.** Un écartement supérieur risque de provoquer le bouclage ou le plissage du câble.
- **Ne faites pas tourner la machine en marche arrière (REV).** L'utilisation de la marche arrière risque d'endommager le câble et ne doit servir qu'à retirer l'outil d'un obstacle.
- **Ne faites pas tourner la machine en marche arrière (REV).**
- **Tenez-vous du côté interrupteur FOR/OFF/REV lorsque vous utilisez la machine.** Cela permet de mieux la contrôler.
- **Utilisez le guide-câble arrière.** Celui-ci empêche le câble de fouetter et de s'encrasser.
- **Ne jamais utiliser ce type de machine sans son carter de courroie.** Vos doigts risqueraient d'être pris entre la courroie et sa poulie.
- **Faites attention lors du curage des canalisations qui ont été préalablement traitées avec des produits chimiques. Évitez tout contact direct avec la peau et les yeux.** Certains produits de nettoyage peuvent provoquer de graves brûlures.
- **N'utilisez pas cette machine lorsque l'opérateur et/ou la machine ont les pieds dans l'eau.** Cela augmenterait les risques de choc électrique.
- **Portez des lunettes de sécurité et des chaussures antidérapantes à semelle en caoutchouc.** Ces équipements de sécurité peuvent éviter de graves blessures corporelles.
- **Utilisez le K-75 exclusivement pour le curage des canalisations d'évacuation d'un diamètre maximal de 4 po, et le K-1500 pour ceux allant jusqu'à 10 po de diamètre. Respectez les consignes d'utilisation de l'appareil.** Toute autre utilisation, ainsi

que la modification du dégorgeoir pour d'autres applications augmente les risques d'accident.

**Description, spécifications et équipements de base**

**Description**

Les dégorgeoirs RIDGID K-75A/B, K-1500A/B et K-1500SP sont prévus pour le curage des canalisations allant de 1¼ à 10 po de diamètre. Ces machines sont entraînées par un moteur à induction équipé d'un système électrique avec terre. Un disjoncteur différentiel est incorporé au cordon d'alimentation de l'appareil. Un interrupteur à bascule (ou bouton rotatif) contrôle les fonctions 'marche avant', 'arrêt' et 'marche arrière' du moteur.

Ces machines utilisent des câbles et outils à raccord rapide. Le câble est introduit et retiré manuellement de la machine et tourne à un régime de 600 à 700 t/min. La rotation du câble est contrôlée par un levier d'embrayage. Le câble s'arrête instantanément dès que l'on lâche le levier d'embrayage.

Les machines du type K-75 sont livrées équipées pour câble de 7/8 po, ce qui permet de curer les canalisations de 2 à 4 po sur une distance maximale de 175 pieds. Un câble de 5/8 po peut y être adapté pour permettre le curage des canalisations de 1¼ à 3 po de diamètre.

Les machines du type K-1500 sont livrées équipées pour câble de 1¼ po, ce qui permet de curer les canalisations de 3 à 10 po sur une distance maximale de 200 pieds. Un câble de 7/8 po peut y être facilement adapté pour permettre le curage des canalisations de 2 à 4 po de diamètre.

**Spécifications**

Capacité de curage.....Selon le choix de câble. Se reporter au tableau pour les sections recommandées

**Moteur :**

**K-75A/B**

Type.....Réversible, 115V/60Hz  
 Puissance .....1/2 CV  
 Intensité .....7,2 A

**K-1500A/B**

Type.....Réversible, 115V/60Hz, version 230V-240V/50Hz disponible sur demande  
 Puissance .....3/4 CV  
 Intensité .....10,4 A

**K-1500A/B-SP**

Type.....Réversible, 115V/60Hz, système de ventilation électrique caréné  
 Puissance .....1 CV  
 Intensité .....15 A

**Cadre :**

Style A .....2 roues à l'arrière avec poignée verticale sur cadre et logement pour câble

Style B .....2 roues à l'avant du cadre

Se reporter au Catalogue RIDGID RT pour les options et accessoires disponibles par type de machine. Chaque modèle de machine comprend les équipements standards suivants :

- Mitaine d'utilisateur A-1
- Clé à broche A-12
- Guide-câble arrière A-34-12

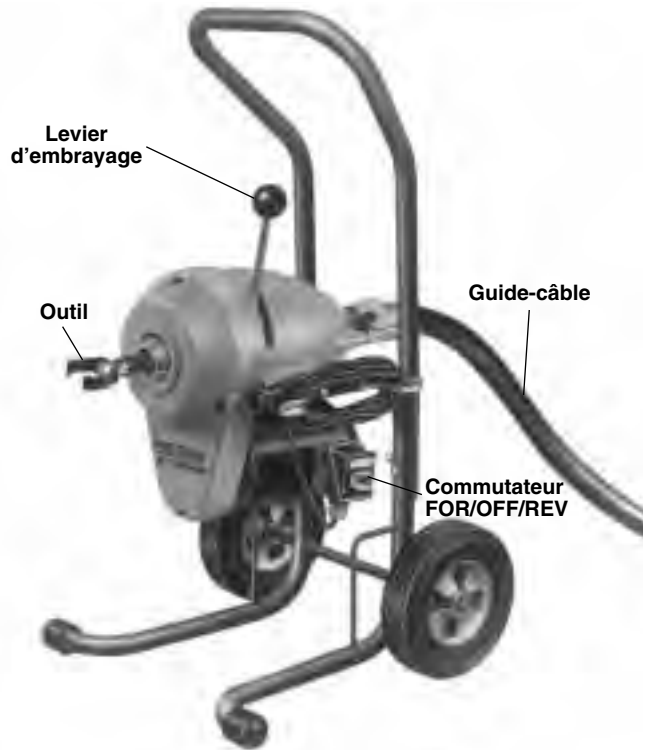


Figure 1 – Dégorgeoirs K-75A, K-1500A et K-1500SP

**Inspection de la machine**

**▲ MISE EN GARDE**

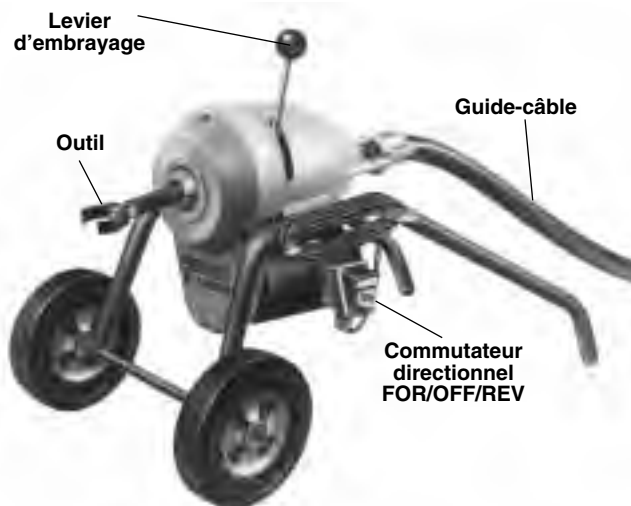


**L'inspection du dégorgeoir vous permettra de limiter les risques d'accident. Le processus d'inspection suivant devrait précéder chaque utilisation de la machine.**

Tableau 1

Modèle	Style de cadre	Section de câble	Capacités		Puissance	Hauteur hors tout	Largeur	Longueur	Poids machine (lb.)
			Ø	Distance					
K-75A K-75A-SE	A	5/8" ou 7/8"	1 1/4" - 3"	125'	1/2 CV à 640 t/min.	41 1/2"	20 3/4"	16"	88
K-75B K-75B-SE	B		2" - 4"	175'		27 3/4"	20 3/4"	40 5/8"	76
K-1500A K-1500A-SE	A	7/8" ou 1 1/4"	2" - 4"	175'	3/4 CV à 710 t/min.	41 1/2"	20 3/4"	16"	92
K-1500B K-1500B-SE	B		3" - 10"	200'		27 3/4"	20 3/4"	40 5/8"	80
K-1500SP	B	7/8"	2" - 4"	175'	1CV à 600 t/min.	27 3/4"	20 3/4"	40 5/8"	110
K-1500SPA	A	1 1/4"	3" - 10"	300'		41 1/2"	20 3/4"	16"	138

1. Assurez-vous que le dégorgeoir est débranché et que son commutateur directionnel se trouve en position **OFF** (arrêt) (Figures 1 and 2).
2. Examinez le cordon d'alimentation, le disjoncteur différentiel et la fiche du cordon pour signes de détérioration. Si la fiche a été modifiée, qui lui manque sa barrette de terre ou que le cordon d'alimentation est endommagé, n'utilisez pas le dégorgeoir avant que le cordon ait été remplacé.
3. Examinez le dégorgeoir pour signes de pièces endommagées, manquantes, désalignées ou grippées, ainsi que pour toute autre anomalie qui pourrait nuire au bon fonctionnement et à la sécurité de la machine. Le cas échéant, n'utilisez pas le dégorgeoir avant que toute anomalie ait été réparée.



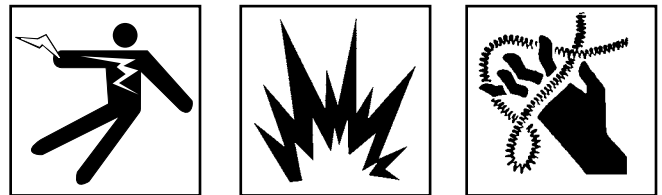
**Figure 2 – Dégorgeoirs K-75B, K-1500B et K-1500SP**

4. Si nécessaire, lubrifiez la machine selon les consignes de la section Entretien.
5. Utilisez les outils et accessoires prévus pour cet appareil et adaptés au chantier en question. Les outils et accessoires appropriés vous permettront de faire le travail correctement et en toute sécurité. Les accessoires prévus pour d'autres types d'appareil peuvent être dangereux lorsqu'ils sont utilisés avec ce type de dégorgeoir.
6. Éliminez toutes traces d'huile de graisse ou de crasse des commandes et poignées du matériel. Cela réduira les risques de blessure lorsqu'un outil ou une commande s'échappe de votre main.
7. Examinez le tranchant des outils utilisés. Si nécessaire, faites-les affûter ou remplacer avant d'utiliser le dégorgeoir. Des outils émoussés ou endommagés peuvent éventuellement provoquer le grippage et le bris des câbles.
8. Examinez les câbles et les raccords pour signes d'usure et de détérioration. Les câbles doivent être remplacés dès qu'ils deviennent excessivement usés ou corrodés. Un câble est considéré usé lorsque les brins extérieurs s'aplatissent.

**▲ MISE EN GARDE** Les câbles usés ou endommagés risquent de rompre et de provoquer de graves blessures corporelles.

## Préparation de la machine

### ▲ MISE EN GARDE



**N'installez pas la machine dans l'eau. Toute pénétration d'eau à l'intérieur du moteur risque de provoquer des chocs électriques.**

**Une bonne préparation de la machine et du chantier permettra de limiter les risques d'accident. Le processus de préparation suivant doit être respecté lors de l'installation de la machine :**

1. Examinez le chantier pour :
  - Un éclairage suffisant.
  - Une prise de courant avec terre.
  - Un passage dégagé jusqu'à la prise de courant, dépourvu de sources de chaleur, d'huile, d'arêtes vives et de mécanismes qui risquent d'endommager le cordon électrique.
  - Un endroit sec pour la machine et son utilisateur. N'utilisez pas la machine lorsque vous avez les pieds dans l'eau.
  - La présence de liquides, de gaz ou de poussières inflammables qui risquent de s'enflammer.
2. Positionnez le dégorgeoir à moins de 2 pieds du point d'entrée. Une distance supérieure risque de provoquer le bouclage ou le pincement du câble.
3. Assurez-vous que l'interrupteur/commutateur directionnel se trouve en position **OFF** (arrêt).



Figure 3 – Montage du guide-câble arrière

4. Attachez le guide-câble arrière en enfilant l'adaptateur du guide-câble sur les broches prévues (Figure 3).

**▲ MISE EN GARDE** N'utilisez pas la machine sans guide-câble arrière. Celui-ci empêche le câble de fouetter, éventuellement s'emmêler, et salir les lieux.

5. Introduisez la première longueur de câble par l'avant de la machine (raccord femelle en premier) et à travers le guide-câble jusqu'à ce qu'il ne reste qu'environ 1 pied de câble à l'avant de la machine (Figure 4).



Figure 4 – Introduction du câble via l'avant de la machine

**▲ MISE EN GARDE** Ne jamais raccorder plus d'un câble à la fois. Le câble s'étendrait au-delà du guide-câble arrière.

6. Sélectionnez et montez l'outil approprié en bout du câble. Son raccord rapide s'emboîte directement sur celui du câble (Figure 5). Pour démonter l'outil du bout du câble, enfoncez le piston de verrouillage du raccord à l'aide de la broche fournie, puis séparez les raccords.

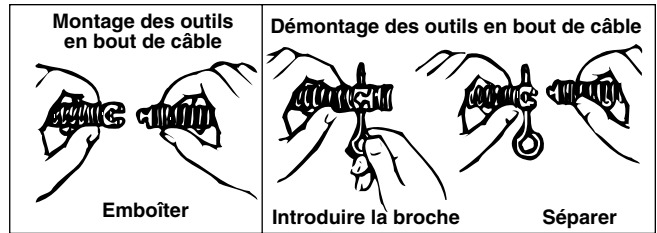


Figure 5 – Montage et démontage des outils

**NOTA ! Sélection de l'outil approprié**

De manière générale, il est préférable d'utiliser un outil dont le diamètre est d'au moins 1 pouce inférieur à celui de la canalisation à curer. Dans la mesure où le type d'outil utilisé dépend de la nature du curage, son choix est laissé à la discrétion de l'utilisateur.

7. Après vous être assuré qu'il suit le passage dégagé prévu, branchez le cordon d'alimentation du dégorgeoir. Si le cordon d'alimentation n'arrive pas jusqu'à la prise de courant, utilisez une rallonge électrique en bon état.

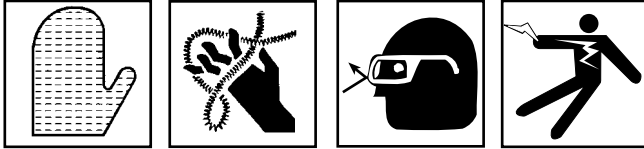
**▲ MISE EN GARDE** Afin d'éviter les risques de choc et d'incendie électrique, ne jamais utiliser une rallonge électrique endommagée ou qui ne répond pas aux critères suivants :

- Toute rallonge électrique doit être équipée d'une fiche à trois barrettes, semblable à celle indiquée à la section Sécurité électrique.
- Toute rallonge électrique utilisée à l'extérieur doit être du type "W" ou "W-A".
- La rallonge électrique utilisée doit avoir des conducteurs de section suffisante (14 AWG jusqu'à 50 pieds de longueur). Une section de conducteurs insuffisante risque de provoquer la surchauffe de la rallonge au point de fondre son isolation et enflammer les objets à proximité.

**▲ MISE EN GARDE** Afin de limiter les risques de choc électrique, gardez toutes connexions électriques au sec et surélevées. Ne touchez pas les fiches avec les mains mouillées. Testez le disjoncteur différentiel fourni avec le cordon d'alimentation afin de vous assurer de son bon fonctionnement. Lorsque la touche d'essai est enfoncée, le témoin lumineux doit s'éteindre. Réactivez-le en appuyant sur la touche de réarmement. Si le témoin lumineux s'allume, c'est que la machine est prête à fonctionner. Si le disjoncteur différentiel ne fonctionne pas correctement, n'utilisez pas la machine.

## Utilisation de la machine

### ▲ MISE EN GARDE



Portez les mitaines à rivets fournies avec la machine. Ne jamais tenter d'attraper un câble en rotation avec un chiffon ou des gants en tissu mal ajustés qui risqueraient de s'entortiller autour du câble et provoquer de graves blessures.

Portez systématiquement des lunettes de sécurité afin de protéger vos yeux contre la projection de débris ou autres objets divers. Portez des chaussures antidérapantes avec semelles en caoutchouc.

Faites particulièrement attention lors du curage de canalisations qui ont été préalablement traités aux produits chimiques. Portez des gants lors de la manipulation des câbles, et évitez tout contact direct avec la peau et surtout avec les yeux et le visage, car de graves brûlures pourraient en résulter.

Ne pas utiliser l'appareil si le levier d'embrayage est endommagé ou ne fonctionne pas correctement. Le levier d'embrayage est un dispositif de sécurité qui arrête la rotation du câble dès qu'il est lâché.

**AVERTISSEMENT** Il est important de connaître la distance approximative entre le point d'entrée et l'égout ou la fosse septique à l'autre bout. Un débordement excessif du câble dans l'égout ou la fosse en question risque de le laisser s'entortiller au point d'empêcher son retrait via une canalisation de diamètre inférieur. Lors de l'utilisation d'un câble de 1 1/4 po en présence d'un égout de 12 po ou plus, ne laissez pas le câble déborder de plus de 10 ou 15 pieds. Lorsqu'il s'agit d'une fosse septique, limitez ce débordement à 3 ou 5 pieds au maximum.

1. Mettez-vous en position appropriée afin de maintenir votre équilibre (Figure 6).

**▲ MISE EN GARDE** En cas d'imprévu, cette position vous permettra de garder le contrôle de la machine et du câble en toute sécurité.

- Assurez-vous de pouvoir lâcher le levier d'embrayage instantanément.
- Vous devez garder une main sur le câble pour l'empêcher de fouetter lorsqu'il rencontre un obstacle.
- Vous devez pouvoir accéder au commutateur FOR/OFF/REV.



Figure 6 – Position de travail appropriée

2. Tirez une longueur suffisante de câble de la machine pour introduire l'outil et le câble dans la canalisation. Enfoncez le câble dans la canalisation aussi loin que possible.
3. Retirez une longueur supplémentaire de câble suffisante pour pouvoir presque former un demi-cercle entre la machine et le point d'entrée.
4. Tenez le câble librement dans votre main gantée. Mettez le commutateur FOR/OFF/REV en position FOR (marche avant).

NOTA ! Le moteur se mettra alors en marche, mais sans entraîner le câble.

5. Avec votre main gantée sur le câble, ramenez le levier d'embrayage avec l'autre main afin d'engager le câble. Appuyez sèchement sur le sommet de la boucle du câble pour le faire avancer.

NOTA ! L'engagement trop lent ou progressif du levier d'embrayage provoquera l'usure prématurée des mâchoires du système d'engagement. Il s'agit d'un système d'engagement direct, et le retour du levier d'embrayage à sa position d'origine assure la libération instantanée du câble.

6. Dès que le câble supplémentaire s'est engagé dans la canalisation, lâchez le levier d'embrayage et retirez une longueur de six à dix pouces de câble de la machine avec votre main gantée.
7. Continuez à faire avancer le câble dans la canalisation jusqu'à ce que vous rencontriez une résistance ou un obstacle. Une telle rencontre se traduira par la résistance à l'avancement du câble et/ou sa tendance à se tortiller latéralement dans la main de l'utilisateur.



8. Si le câble se met en charge à la rencontre d'un obstacle, soulagez-le en y tirant dessus sèchement à plusieurs reprises afin de dégager le couteau. Faites à nouveau avancer le câble lentement vers l'obstacle. Répétez ce processus jusqu'à l'élimination de l'obstacle. N'oubliez pas qu'il faut que le couteau tourne sans interruption et qu'il ne faut jamais forcer le câble. A ce point, le progrès effectué dépendra de l'affûtage de l'outil et la nature de l'obstacle.

**▲ MISE EN GARDE**

**Ne jamais permettre au câble de se mettre en charge. Cela arrivera lorsque l'outil de coupe s'accroche et s'immobilise, tandis que le moteur et le câble continuent à tourner. La torsion du câble augmente jusqu'à ce que le câble se boucle, éventuellement autour de votre bras ou de votre main. Cela peut arriver soudainement et sans préavis, d'où l'importance de procéder lentement et précautionneusement lorsque vous faites avancer le câble dans la canalisation. Le fait de lâcher le levier d'embrayage arrêtera la rotation du câble et le soulagera. Lorsqu'un outil s'entrave dans un obstacle, reportez-vous au chapitre 'Utilisation de la marche arrière' de la section 'Procédés spéciaux'.**

9. Une fois l'obstacle dégagé, il est conseillé de rincer la canalisation à grande eau pour en dégager les débris. Si nécessaire, répétez l'étape n° 8 à plusieurs reprises afin d'assurer le nettoyage complet de cette section de la canalisation avant de procéder au dégagement des obstacles suivants.

10. Procédez comme suit pour ajouter des sections de câble supplémentaires :

- Arrêtez la machine (position OFF) dès que vous arrivez à la fin de la section de câble en cours.
- Arrimez le câble en le bouclant dans le point d'entrée (Figure 7). Cela peut s'avérer particulièrement utile lorsqu'il s'agit d'une canalisation à forte pente.

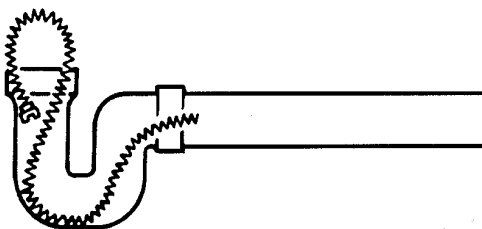


Figure 7 – Bouclage du câble au point d'entrée

- Une fois le câble arrimé, introduisez une nouvelle section de câble (raccord femelle en premier) via l'avant de la machine jusqu'à ce qu'il n'en dépasse qu'environ 1 pied à l'avant de la machine.
- Raccordez ce câble à celui resté en attente dans la canalisation, puis reprenez l'opération.

11. Utilisez la méthode suivante pour retirer le câble de la canalisation d'évacuation :

- Laissez le commutateur FOR/OFF/REV en position FOR (marche avant).
- Engagez le câble en rabattant le levier d'embrayage. Si possible, retirez le câble de la canalisation avec votre main gantée, sinon, appuyez-le contre le rebord du point d'entrée pour le 'dévisser' jusqu'à ce qu'une boucle se forme devant la machine.

NOTA ! En appuyant le câble contre le rebord du point d'entrée, sa rotation le 'dévissera' rapidement de la canalisation.

- Une fois la boucle formée, lâchez le levier d'embrayage et repoussez le câble excédentaire vers l'arrière de la machine. Déconnectez une seule section de câble à la fois.

**▲ MISE EN GARDE** N'oubliez pas d'arrêter la machine et arrimer le câble suivant avant de déconnecter cette longueur de câble.

- Après avoir retiré la longueur de câble déconnectée, introduisez les sections de câble suivantes via l'avant de la machine et continuez à les retirer jusqu'à ce que l'outil en tête de la dernière longueur de câble se trouve à proximité du point d'entrée.

CONSEIL : Raccordez les câbles lorsque vous les rangez dans le porte-câbles. Cela facilitera leur déploiement lors du prochain chantier.

**▲ MISE EN GARDE** Ne jamais tenter de retirer l'outil de la canalisation pendant que le câble tourne. L'outil risque de fouetter et provoquer de graves blessures corporelles.

- 12. Mettez le commutateur FOR/OFF/REV en position OFF.
- 13. Retirez le restant du câble et l'outil de la canalisation.
- 14. Débranchez le cordon d'alimentation, puis enlevez les guide-câble.

**AVERTISSEMENT** En fin de chantier, rincez soigneusement les câbles, raccords et outils à l'eau avant de les essorer, afin de les protéger contre les effets nocifs des produits chimiques.

**Procédés spéciaux**

**Utilisation de la marche arrière**

L'utilisation de la marche arrière entraînera la défaillance prématurée du câble. N'utilisez la marche arrière que pour déloger un outil entravé dans un obstacle. Le cas échéant, retirez immédiatement votre pied de la pédale de commande pneumatique et laissez la machine s'arrêter complètement. Mettez le commutateur FOR/OFF/REV en position REV (marche arrière). Desserrez la molette



d'embrayage. Prenez le câble dans vos mains gantées et tirez-le, tout en tapotant sur la pédale de commande. Une fois que l'outil a été délogé et que le tambour a cessé de tourner, mettez le commutateur FOR/OFF/REV en position FOR (marche avant), puis reprenez le processus opérationnel normal.

**▲ MISE EN GARDE** Ne jamais utiliser la position REV (marche arrière) pour d'autres raisons quelconques. L'utilisation de la marche arrière risque d'endommager le câble et provoquer de graves blessures.

**Câbles – types d'application**

Les câbles standard de 7/8 et 1 1/4 po peuvent servir au curage des canalisations et raccords allant de 3 à 6 po de diamètre (Figure 8).

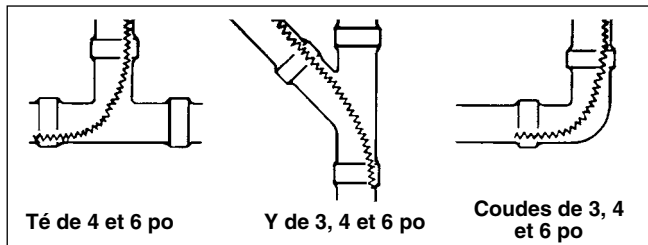


Figure 8 – Applications de câble standard

**Câbles industriels** Lorsque les conditions le permettent, les câbles industriels de 1 1/4 po, tel que le câble C-14, devraient être utilisés afin accélérer le travail et accroître la longévité des câbles. Les câbles industriels sont plus spécifiquement désignés pour les canalisations rectilignes de 4 à 8 po de diamètre (Figure 9).

NOTA ! Ce type de câble ne doit pas être utilisé en présence de siphons en 'P' ou siphons courants de 4 po opérationnels.

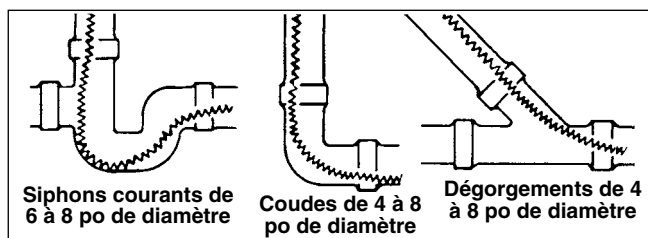


Figure 9 – Applications de câble standard

**Curage rapide** Les amas de matières grasses peuvent être délogés plus rapidement et plus efficacement en tordant le câble à 6 ou 8 pouces derrière l'outil (Figure 10).

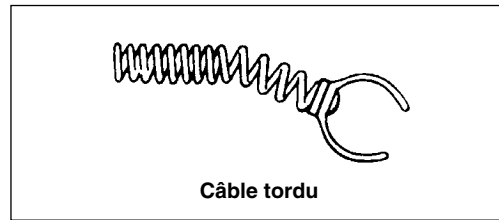


Figure 10 – Tordre le câble pour accélérer le nettoyage

**Stockage et transport des câbles**

(Modèles à cadre type 'A' uniquement)

Les câbles peuvent être stockés et transportés sur les modèles à cadre type 'A' comme indiqué à la Figure 11.



Figure 11 – Stockage des câbles sur les modèles à cadre type 'A'

**Accessoires**

**▲ MISE EN GARDE** Seuls les produits RIDGID suivants sont adaptés aux dégorgeoirs à câble à raccord rapide. Toute tentative d'adaptation d'accessoires prévus pour d'autres types d'appareils peut s'avérer dangereuse. Afin d'éviter les risques de blessure grave, n'utilisez que les accessoires recommandés.

## Machines type K-75A/B

### Câbles et câbles de guidage

Réf. Catalogue	Modèle	Désignation
62275	C-10	Câble universel de 15 pieds (4,60 m)
30007	T-127	Câble de guidage de 7/8 po

### Câbles de 5/8 po

Réf. Catalogue	Modèle	Désignation
51317	C-9	Câble industriel de 10 pieds (3 m)
62270	C-8	Câble universel de 7 1/2 pieds (2,30m)
62265	C-7	Câble serré de 7 1/2 pieds (2,30 m)

### Accessoires

Réf. Catalogue	Modèle	Désignation
59360	A-3	Boîte à outils
59205	A-1	Mitaine main gauche
59295	A-2	Mitaine main droite
59225	A-12	Clé à broche pour câble de 7/8 po
59230	A-13	Clé à broche pour câble de 5/8 po
59470	A-8	Porte-câble (Cinq longueurs C-10)
59210	A-10	Porte-câble (Trois longueurs C-10)
59425	A-36	Chariot à câbles
59330	A-376X	Mâchoires d'adaptation de câble de 5/8 po pour K-75
59325	A-368X	Jeu de mâchoires de rechange de 7/8 po
84315	A-34-8	Guide-câble arrière de 8 po
59415	A-34-10	Guide-câble arrière de 10 po
59395	A-34-12	Guide-câble arrière de 12 po

### Outils pour câble C-10 de 7/8 po

Réf. Catalogue	Modèle	Désignation	Lame(s) de rechange
62850	T-101	Tarière droite	—
62855	T-102	Tarière conique	—
27642	T-125	Tarière de récupération	—
62860	T-103	Couteau denté de 2 1/2 po	98070
62865	T-104	Couteau 'H' Ø 2 1/2 po	97800
62870	T-105	Couteau à graisse Ø 2 1/2 po	97920
62875	T-106	Couteau à graisse Ø 3 po	97925
62880	T-107	Aspic de 1 3/4 po	92850
62915	T-109	Couteau hélicoïdal dents de scie Ø 1 3/4 po	97930
62920	T-110	Couteau hélicoïdal dents de scie Ø 2 1/4 po	97935
62925	T-111	Couteau hélicoïdal dents de scie Ø 3 po	92890
62930	T-112	Couteau 4-lames Ø 1 3/4 po	97915
62935	T-113	Couteau 4-lames Ø 3 po	97940
98050	T-150	Couteaux dents de requin Ø 3 et 4 po	Voir ci dessous
98055	T-150-1	Couteau dents de requin Ø 3 po	98005
98060	T-150-2	Couteau dents de requin Ø 4 po	98010
62940	T-114	Frappoir à chaîne	97985

## Machines type K-1500A/B

Réf. Catalogue	Modèle	Désignation
92280	C-11	Câble universel de 15 pieds, pas de 3/8 po. Pour siphons Ø 4 po et canalisations Ø 3 à 8 po.
62285	C-12	Câble industriel renforcé de 15 pieds, pas de 3/8 po. Pour tuyaux Ø 4 à 10 po de grande longueur, pas de siphons Ø 4 po.
62295	C-14	Câble industriel de 15 pieds, pas de 1/2 po. Pour canalisations Ø 3 à 10 po via trappe de dégorgeement. Pas de siphons Ø 4 po.
62300	C-15	Câble extra souple de 15 pieds, pas de 1/2 po. Pour canalisations Ø 3 à 6 po et siphons.
63090	T-27	Câble de guidage Ø 1 1/4 po de 25 pieds
62275	C-10	Câble universel standard de 15 pieds. Nécessite jeu de mâchoires réf. A-368X et outils de 7/8 po.

### Accessoires

Réf. Catalogue	Modèle	Désignation
59470	A-8	Porte-câble, capacité 60 pieds Ø 1 1/4 po
59210	A-10	Porte-câble, capacité 150 pieds Ø 1 1/4 po
59415	A-34-10	Guide-câble arrière de 10 pieds
59395	A-34-12	Guide-câble arrière de 12 pieds
59400	A-34-16	Guide-câble arrière de 16 pieds
59300	A-20	Guide-câble avant de 8 pieds
59205	A-1	Mitaine (main gauche)
59295	A-2	Mitaine (main droite)
59360	A-3	Boîte à outils
59225	A-12	Clé à broche p/raccord rapide
59440	A-4	Cuillère à siphons de 30 po
59240	A-17	Tuyau de guidage pour trou d'homme
59320	A-369X	Jeu de mâchoires de rechange Ø 1 1/4 po

**Outils pour câbles C-11, C-12, C-14 et C-15 (Ø 1 1/4 po)**

Réf. Catalogue	Modèle	Désignation
62840	T-1	Mèche droite
61800	T-2	Mèche droite industrielle
63105	T-3	Mèche conique
61790	T-4	Mèche conique industrielle
63190	T-5	Mèche de récupération droite
63195	T-6	Mèche de récupération conique
63200	T-7	Mèche à crochet
63205	T-8	Couteau à graisse Ø 2 1/2 po
63210	T-9	Couteau à graisse Ø 3 1/2 po
62845	T-10	Couteau à graisse Ø 4 1/2 po
59480	T-11	Couteau "H" Ø 2 1/2 po
59485	T-12	Couteau "H" Ø 3 1/2 po
61970	T-13	Couteau denté Ø 2 1/2 po
61975	T-14	Couteau denté Ø 3 1/2 po
61770	T-15A	Couteau expansif Ø 4 à 6 po
61825	T-15B	Couteau expansif Ø 6 à 8 po
61960	T-16	Couteau hélicoïdal à barre Ø 4 po
61850	T-17	Couteau hélicoïdal à barre Ø 6 po
61855	T-18	Couteau hélicoïdal à barre Ø 8 po
59625	T-21	Couteau denté hélicoïdal Ø 3 1/2 po
63075	T-22	Couteau denté hélicoïdal Ø 3 po
63085	T-23	Couteau denté hélicoïdal Ø 4 po
59765	T-24	Couteau 4 lames Ø 2 1/2 po
59770	T-25	Couteau 4 lames Ø 3 1/2 po
59775	T-26	Couteau 4 lames Ø 4 1/2 po
59780	T-26A	Couteau 4 lames Ø 5 1/2 po
98030	T-50	Triple lames (3, 4 et 5 po)
98035	T-50-1	Couteau denté Ø 3 po
98040	T-50-2	Couteau denté Ø 4 po
98045	T-50-3	Couteau denté Ø 6 po
63110	T-31	Chaîne de dégorgement pour Ø 3 à 4 po
63115	T-32	Chaîne de dégorgement pour Ø 6 po
63120	T-33	Chaîne de dégorgement pour Ø 8 po
63145	T-38	Ecouvillon Ø 1 1/2 po
63150	T-39	Ecouvillon Ø 2 po
63155	T-40	Ecouvillon Ø 2 1/2 po
63160	T-41	Ecouvillon Ø 3 po
63165	T-42	Ecouvillon Ø 3 1/2 po
63170	T-43	Ecouvillon Ø 4 po
63175	T-44	Ecouvillon Ø 4 1/2 po
63240	T-45	Ecouvillon Ø 5 po
63180	T-46	Ecouvillon Ø 5 1/2 po
63185	T-47	Ecouvillon Ø 6 po

NOTA ! Consulter le catalogue Ridge Tool Catalog pour une liste complète d'outils et d'accessoires.

## Entretien

### ▲ MISE EN GARDE

**S'assurer que la machine est débranchée avant tout entretien ou réglage.**

### Lubrification des mécanismes

Graissez tous les mécanismes apparents, tels que culbuteurs et le palier principal, à trois mois d'intervalle environ. N'oubliez pas de graisser le palier principal via le graisseur qui se trouve à l'intérieur du logement de levier d'embrayage.

### Lubrification des mâchoires d'embrayage

Nettoyez et lubrifiez les mâchoires d'entraînement à l'huile après chaque utilisation.

### Câbles

Les câbles doivent être soigneusement rincés à l'eau afin d'empêcher leur détérioration en présence de produits de nettoyage. Lubrifiez les câbles et raccords régulièrement avec du RIDGID Cable Rust Inhibitor.

Protégez les câbles non utilisés contre les intempéries en les rangeant à l'intérieur.

Les câbles doivent être remplacés dès qu'ils deviennent excessivement usés ou corrodés. Un câble est considéré usé lorsque les brins extérieurs s'aplatissent ou qu'ils perdent leur rigidité.

### Remplacement des mâchoires d'embrayage

1. Enlevez les trois vis de fixation du carter avant.
2. Enlevez les vis du nez de l'appareil (*Figure 12*).



Figure 12 – Remplacement des mâchoires d'embrayage

3. Retirez les mâchoires d'entraînement et remplacez-les avec les mâchoires de section appropriée.



Figure 13 – Remplacement des mâchoires d'embrayage

4. Réinstallez le nez de l'appareil, les vis et le carter.

**▲ MISE EN GARDE** Ne jamais utiliser la machine sans son carter de courroie. Vos doigts risqueraient d'être pris entre la courroie et la poulie.

### Élimination du jeu de l'embrayage

1. Pour éliminer le jeu de l'embrayage, desserrez la vis de l'écrou de verrouillage/réglage (Figure 14).
2. Tournez l'écrou de verrouillage/réglage à droite jusqu'à ce qu'il bute contre le carter, puis ramenez-le d'un demi-tour.
3. Serrez la vis de l'écrou de verrouillage/réglage.



Figure 14 – Élimination du jeu de l'embrayage

### Réglage de la courroie d'entraînement

Examinez la courroie d'entraînement régulièrement pour vous assurer qu'elle n'est pas détendue. La courroie doit toujours être suffisamment tendue.

1. Enlevez le carter pour tendre la courroie d'entraînement.
2. Desserrez l'écrou de blocage, tournez le boulon de réglage lentement jusqu'à ce que la courroie se tende, puis serrez l'écrou de blocage (Figure 15).



Figure 15 – Réglage de la courroie d'entraînement

### Stockage de la machine

**▲ MISE EN GARDE** Tout matériel électrique doit être stocké à l'intérieur ou convenablement protégé contre la pluie. Stockez la machine dans un endroit clos, hors de la portée des enfants et des personnes non familiarisés avec les dégorgeoirs. Cette machine peut être très dangereuse entre les mains d'un novice.

Lorsque la machine a été exposée au gel, elle doit tourner à vide pendant dix (10) ou vingt (20) minutes afin de se réchauffer. Ne pas le faire aurait pour résultat le grippage des paliers. Si la machine est exposée aux intempéries pendant un certain temps, le moteur grillera en raison de l'humidité restée autour de son bobinage.

## Entretien et réparations

**▲ MISE EN GARDE !**

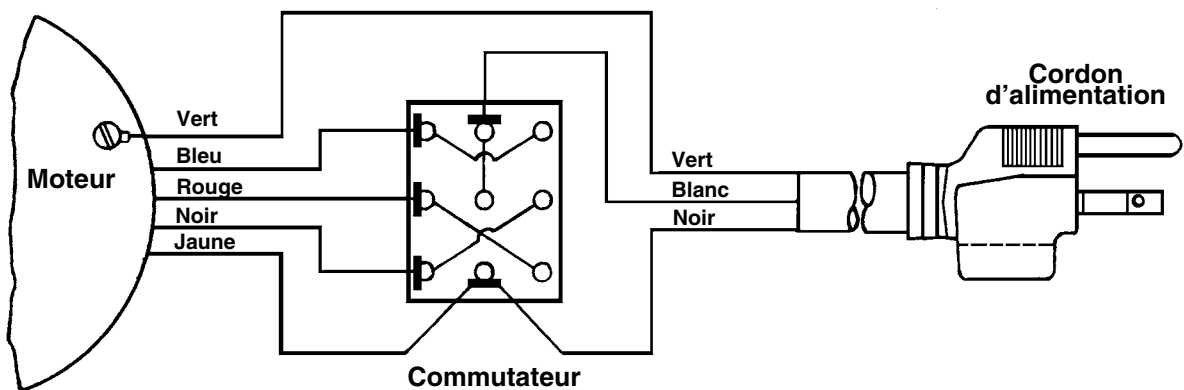


Les consignes d'entretien couvrent la majorité des besoins d'entretien de la machine. Tous problèmes qui ne sont pas couverts dans cette section doivent être adressés à un réparateur RIDGID autorisé.

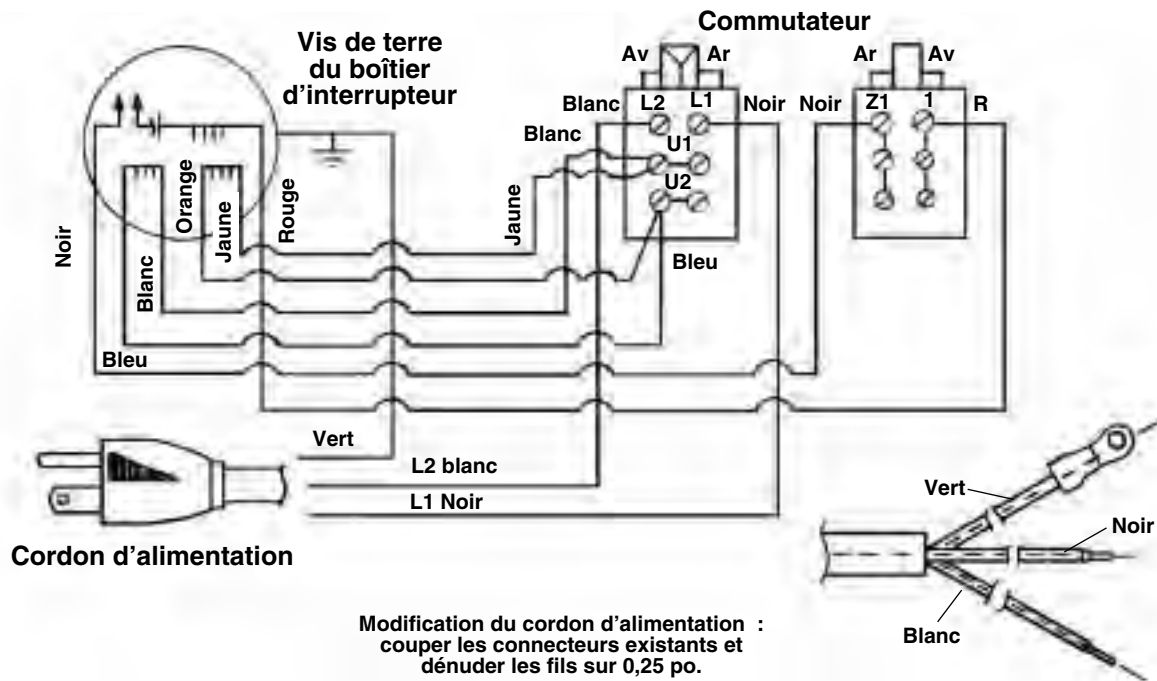
L'appareil doit être alors confié à un réparateur RIDGID autorisé ou renvoyé à l'usine. Toutes réparations effectuées par l'usine Ridge sont garanties contre les vices de matériel ou de main d'œuvre éventuels.

**▲ MISE EN GARDE** Utilisez exclusivement des pièces de rechange d'origine lors de la réparation de cette machine. Des chocs électriques ou de graves blessures corporelles peuvent résulter du non-respect de cette consigne.

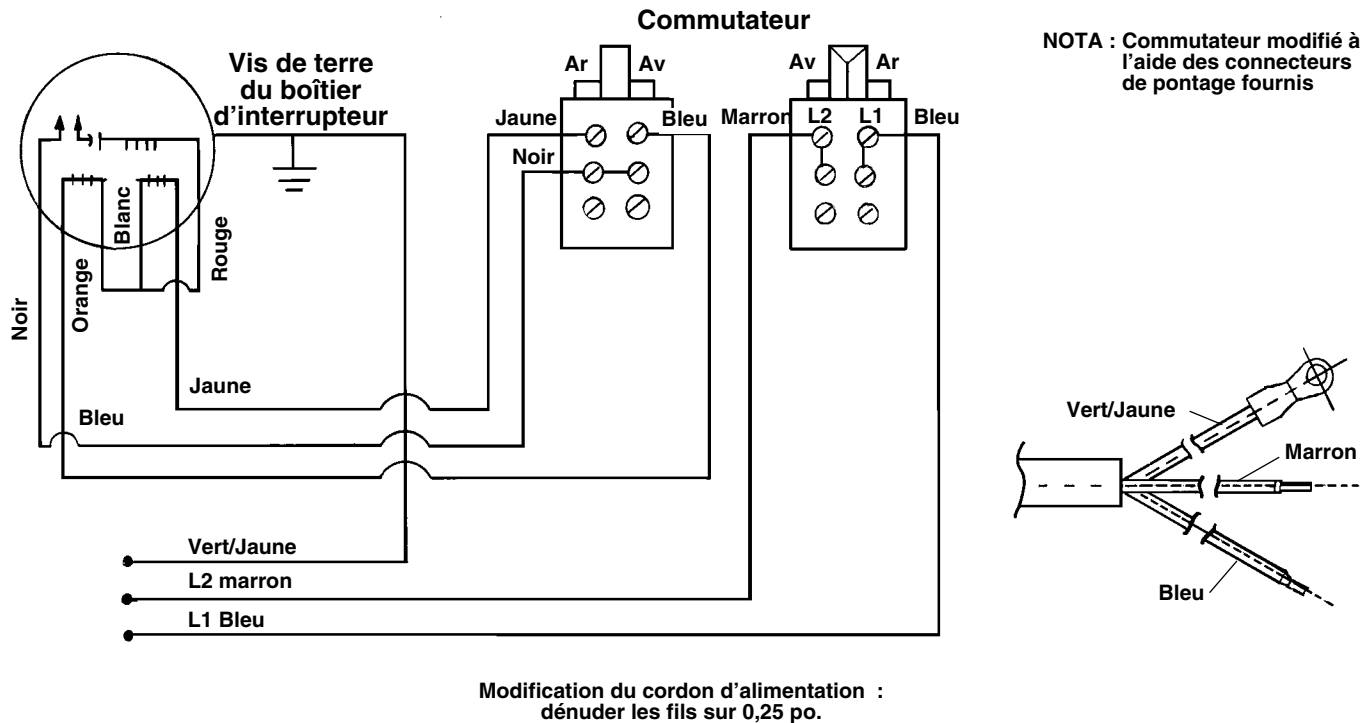
### Schéma électrique des K-75A/B et K-1500A/B en 115V



### Schéma électrique du K-1500SP en 120V/60 Hz



### Schéma électrique du K-1500SP en 220-240V/50 Hz







# Máquinas limpiadoras de desagües K-75A/B, K-1500A/B y K-1500SP



<b>Máquinas limpiadoras de desagües</b>	
A continuación apunte y retenga el número de serie de la máquina, que se encuentra en su placa de características.	
No. de serie	

**Índice**

**Ficha para apuntar el Modelo y Número de Serie de la máquina** .....31

**Información general de seguridad**

    Seguridad en la zona de trabajo .....33

    Seguridad eléctrica.....33

    Seguridad personal .....34

    Uso y cuidado de la máquina .....34

    Servicio.....34

**Información específica de seguridad**

    Seguridad de la limpiadora de desagües .....35

**Descripción, especificaciones y equipo estándar**

    Descripción.....35

    Especificaciones.....36

    Equipo estándar .....36

**Inspección de la máquina** .....36

**Preparación de la máquina** .....37

**Instrucciones de funcionamiento** .....39

**Procedimientos para usos especiales**

    Funcionamiento en reversa.....41

    Cables para distintos usos .....41

    Almacenamiento y transporte del cable (modelos con bastidor “A”).....42

**Accesorios**

    Selección de cables .....42

    Accesorios y herramientas disponibles para cables .....43

**Instrucciones de mantenimiento**

    Lubricación .....43

    Cables .....43

    Recambio de las mordazas del embrague.....43

    Eliminación del juego (holgura) del embrague .....44

    Regulación de la correa trapezoidal.....44

**Almacenaje de la máquina**.....44

**Mantenimiento y reparaciones**.....45

**Diagrama de cableado** .....45-46

**Garantía vitalicia** .....carátula posterior

## Información general de seguridad

**¡ADVERTENCIA!** Lea y comprenda todas las instrucciones. Pueden ocurrir golpes eléctricos, incendios y/o lesiones corporales graves si no se siguen todas las instrucciones detalladas a continuación.

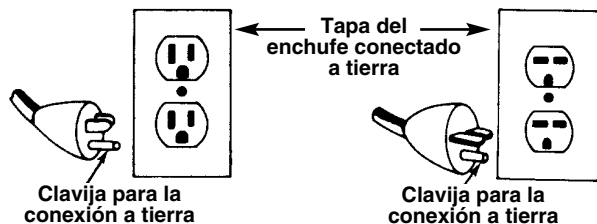
### ¡GUARDE ESTAS INSTRUCCIONES!

#### Seguridad en la zona de trabajo

- Mantenga su área de trabajo limpia y bien alumbrada. Los bancos de trabajo desordenados y las zonas oscuras son una invitación a los accidentes.
- No haga funcionar aparatos eléctricos en medio ambientes explosivos, como por ejemplo en la presencia de líquidos, gases o polvos inflamables. Estos aparatos generan chispas que pueden encender el polvo o los gases.
- Al hacer funcionar una máquina a motor, mantenga apartados a los espectadores, niños y visitantes. Las distracciones pueden causar que pierda el control del aparato.

#### Seguridad eléctrica

- Las máquinas provistas de una conexión a tierra deben ser enchufadas a un tomacorriente debidamente instalado y conectado a tierra de acuerdo con todos los códigos y reglamentos. Jamás extraiga del enchufe de la máquina la tercera clavija que conduce a tierra ni lo modifique de manera alguna. No use ningún tipo de enchufes adaptadores. Consulte con un electricista calificado si no puede determinar acaso el tomacorriente está debidamente conectado a tierra. En la eventualidad de que la máquina sufra una avería eléctrica o de otro tipo, la conexión a tierra proporciona una vía de baja resistencia para conducir la electricidad lejos del usuario.



- Evite que su cuerpo haga contacto con superficies conectadas a tierra. Si su cuerpo queda conectado a tierra, aumenta el riesgo de que sufra un choque eléctrico.
- No exponga las máquinas eléctricas a la lluvia o a condiciones mojadas. Si agua penetra en un aparato eléctrico, aumenta el riesgo de que se produzca un golpe eléctrico.

- No maltrate el cordón. Nunca use el cordón para sacar el enchufe del tomacorriente. Mantenga el cordón lejos de fuentes de calor, aceite, bordes cortantes o piezas móviles. Recambie los cordones dañados de inmediato. Los cordones en mal estado aumentan los riesgos de que se produzca un choque eléctrico.
- Al hacer funcionar una máquina a motor a la intemperie, emplee un cordón de extensión fabricado para uso exterior y rotulado "W-A" o "W". Estos cordones han sido diseñados para su empleo al aire libre y reducen el riesgo de que se produzca un choque eléctrico.
- Sólo use un cordón de extensión de tres alambres equipado con un enchufe de tres clavijas para conexión a tierra, y un tomacorriente tripolar que acoja a las tres clavijas del enchufe de la máquina. Otros alargadores no conectarán la máquina a tierra y aumentarán el riesgo de que se produzca un choque eléctrico.
- Use cordones de extensión apropiados. (Vea la tabla.) Una dimensión insuficiente del conductor causará una caída excesiva de voltaje y una pérdida de potencia.

Dimensión mínima de alambre para cordones de extensión			
Amperios en la placa de características	Longitud total (en pies)		
	0-25	26-50	51-100
0-6	18 AWG	16 AWG	16 AWG
6-10	18 AWG	16 AWG	14 AWG
10-12	16 AWG	16 AWG	14 AWG
12-16	14 AWG	12 AWG	NO SE RECOMIENDA

- Antes de usarla, pruebe el Interruptor del Circuito de Pérdida a Tierra (GFCI) incorporado en el cordón de suministro para cerciorarse de que funciona correctamente. El GFCI reduce el riesgo de que ocurran choques eléctricos.
- No se recomienda el uso de cordones de extensión al menos que vayan enchufados a un Interruptor del Circuito de Pérdida a Tierra (GFCI) situados en cajas de circuitos o tomacorrientes. El interruptor GFCI en el cordón de la máquina no impedirá la ocurrencia de choques eléctricos provenientes de un cordón de extensión.
- Mantenga todas las conexiones eléctricas secas y levantadas del suelo. No toque el enchufe con las manos mojadas. De esta manera se evita un choque eléctrico.

## Seguridad personal

- **Manténgase alerta, preste atención a lo que está haciendo y use sentido común cuando trabaje con una máquina a motor. No la use si está cansado o se encuentra bajo la influencia de drogas, alcohol o medicamentos.** Sólo un breve descuido mientras hace funcionar una máquina motorizada puede resultar en lesiones personales graves.
- **Vístase adecuadamente. No lleve ropa suelta ni joyas. Amarre una cabellera larga. Mantenga su cabello, ropa y guantes apartados de las piezas en movimiento.** La ropa suelta, las joyas o el pelo largo pueden engancharse en las piezas móviles.
- **Evite echar a andar la máquina sin querer. Antes de enchufarla, asegure que su interruptor se encuentre en la posición OFF (apagada).** Se producen accidentes cuando se enchufan máquinas que tienen su interruptor en la posición de encendido (ON).
- **Antes de encender la máquina, extraiga todas las llaves de regulación.** Una llave mecánica o una llave que se haya dejado acoplada a una pieza giratoria de la máquina puede ocasionar lesiones corporales.
- **No trate de extender su cuerpo para alcanzar algo. Mantenga sus pies firmes en tierra y un buen equilibrio en todo momento.** Al mantener el equilibrio y los pies firmes, tendrá mejor control sobre la máquina en situaciones inesperadas.
- **Use equipo de seguridad. Siempre lleve protección para la vista.** Cuando las condiciones lo requieran, debe usar mascarilla para el polvo, calzado de seguridad antideslizante, casco duro o protección para los oídos.

## Uso y cuidado de la máquina

- **Emplee una abrazadera u otro medio práctico para sujetar la máquina sobre una plataforma estable.** Si sostiene la pieza de trabajo en el aire o contra su cuerpo, usted puede perder el equilibrio y el control sobre el aparato.
- **No fuerce la máquina. Use la máquina o herramienta adecuada para el trabajo que va a realizar.** Con la máquina correcta obtendrá mejores resultados, en forma segura y a la velocidad para la cual fue diseñada.
- **Si el interruptor de la máquina no la enciende o apaga, no use la máquina.** Cualquier máquina que no pueda ser controlada mediante su interruptor es peligrosa y debe ser reparada.
- **Antes de efectuar trabajos de regulación, de cam-**

**biar accesorios o de almacenar la máquina, desconecte el enchufe de la fuente de corriente eléctrica.** Este tipo de seguridad preventiva reduce el riesgo de poner la máquina en marcha involuntariamente.

- **Almacene las máquinas que no estén en uso fuera del alcance de los niños y de otras personas sin entrenamiento.** Las máquinas son peligrosas en las manos de usuarios no capacitados.
- **Efectúele un cuidadoso mantenimiento a su máquina. Mantenga las herramientas de corte afiladas y limpias.** Es menos probable que una máquina bien mantenida y con herramientas de corte afiladas se traben y es más fácil de controlar.
- **Verifique si las piezas móviles están desalineadas o agarrotadas, si hay piezas quebradas y si existe cualquiera otra condición que pueda afectar el funcionamiento de la máquina. En el caso de estar dañada, antes de usar la máquina, hágala componer.** Numerosos accidentes son causados por máquinas que no han recibido un mantenimiento adecuado.
- **Solamente use accesorios recomendados para su modelo.** Los accesorios que son los adecuados para una máquina pueden ser peligrosos acoplados a otra máquina.
- **Mantenga los mangos limpios y secos, libres de aceite y grasa.** Esto permite un mejor control de la máquina.

## Servicio

- **Los trabajos de reparación a la máquina sólo deben ser efectuados por personal de reparación calificado.** El mantenimiento o reparaciones practicados por personal no calificado puede ocasionar lesiones.
- **Cuando le haga mantenimiento a la máquina, debe usar únicamente repuestos o piezas de recambio idénticas. Siga las instrucciones en la Sección de Mantenimiento en este manual.** Pueden producirse choques eléctricos o lesiones si no se emplean piezas y partes autorizadas o si no se siguen las instrucciones de mantenimiento.

## Información específica de seguridad

### ▲ ADVERTENCIA

**Lea este Manual del Operario detenidamente antes de poner en funcionamiento a la Limpiadora de**

**Desagües K-75 ó a la K-1500. Si no se siguen o no se comprenden las instrucciones de este manual, es posible que ocurran choques eléctricos, incendios y/o lesiones personales graves.**

## **Seguridad de la Limpiadora de Desagües**

- **Use el guante de cuero (piel) provisto con la máquina. Nunca agarre un cable que está girando con un trapo o con un guante de tela que le queda suelto.** Pueden enredarse en el cable y lesionarlo gravemente.
- **No someta los cables a un esfuerzo excesivo. Controle el cable con las dos manos cuando la máquina está en marcha.** Cuando se somete al cable a demasiada tensión cuando se trata de atravesar una obstrucción, el cable puede doblarse, enroscarse o quebrarse y lesionar gravemente al operario.
- **No aplique un esfuerzo excesivo sobre los cables. Mantenga una mano en el cable para así controlarlo cuando la máquina funcione.** La aplicación de esfuerzo excesivo a los cables debido a obstrucciones puede causar alabeo o dobladura y puede resultar en lesiones graves.
- **Coloque la máquina a menos de dos pies de la entrada al desagüe. Emplee la manguera guía delantera cuando no pueda situar la máquina limpiadora cerca de la entrada o acceso al desagüe.** Si se le sitúa demasiado lejos, el cable se puede torcer o enroscar.
- **No haga funcionar la máquina en reversa (REV).** El funcionamiento de la máquina en marcha atrás puede causar daños al cable. Sólo se emplea para echar hacia atrás una herramienta en la punta del cable que se ha atascado en una obstrucción.
- **Haga funcionar la máquina desde el lado con el interruptor de FOR/OFF/REV (adelante, apagada, reversa).** Así se la puede controlar mejor.
- **Emplee la manguera guía trasera.** Esta impide que el cable dé latigazos y que levante desechos.
- **Nunca haga funcionar la máquina si la cubierta de la correa no está puesta en su lugar.** Pueden engancharse los dedos entre la correa y la polea.
- **Tenga cuidado cuando emplee la máquina para desatascar desagües en los cuales se han usado agentes químicos de limpieza. Evite el contacto directo con la piel y los ojos.** Algunas sustancias químicas provocan quemaduras de gravedad.

- **No haga funcionar la máquina si el operario o la máquina estarán parados sobre agua.** Esto aumenta la posibilidad de una descarga eléctrica.
- **Use anteojos de seguridad y zapatos con suelas de goma antideslizantes.** Así se evitan lesiones de gravedad.
- **Emplee la K-75 únicamente para limpiar desagües de hasta 4 pulgadas de diámetro y la máquina K-1500 para cañerías de hasta 10 pulgadas de diámetro. Siga las instrucciones sobre el uso de la máquina.** Si se somete la limpiadora de desagües a otros usos o se la modifica para efectuar con ella trabajos para los cuales no fue hecha, puede provocar lesiones.

## **Descripción, especificaciones y equipo estándar**

### **Descripción**

Las máquinas limpiadoras de desagües RIDGID K-75A/B, K-1500A/B y K-1500SP limpian desagües de 1¼ a 10 pulgadas de diámetro. Estas máquinas son propulsadas por motores de inducción dotados de sistemas eléctricos con conexión a tierra. El cordón de suministro lleva un Interruptor del Circuito de Pérdida a Tierra (GFCI) incorporado. Un interruptor de codillo o rotatorio permite el control del motor para FORWARD/OFF/REVERSE (adelante, apagada, reversa).

Las máquinas emplean cables seccionados que cuentan con un sistema de acoplamiento rápido para conectarles y cambiarles herramientas fácilmente. El cable se introduce y saca manualmente de la máquina y es capaz de girar a velocidades de entre 600 y 700 rpm. La rotación del cable se controla con la palanca del embrague. El cable se detiene instantáneamente cuando se suelta la palanca del embrague.

Las máquinas limpiadoras K-75 son capaces de hacer avanzar un cable de 7/8 pulgada para limpiar desagües de entre 2 y 4 pulgadas de diámetro hasta los 175 pies de distancia. Pueden adaptarse para llevar cable de 5/8 pulgada y limpiar cañerías de 1¼ a 3 pulgadas.

Las máquinas K-1500 vienen equipadas con un cable de 1¼ pulgada, para limpiar desagües de entre 3 y 10 pulgadas de diámetro, que recorre una distancia de hasta 200 pies. El cable de la limpiadora 1500SP alcanza hasta los 300 pies. Pueden adaptarse fácilmente para usar un cable de 7/8 pulgada, que limpia desagües de 2 a 4 pulgadas de diámetro.



**Especificaciones**

Capacidad .....depende del cable que se elija.  
 Consulte la siguiente tabla  
 para sugerencias.

**Motor:**

**K-75A/B**

Tipo.....reversible, 115V/60Hz  
 Potencia.....1/2 HP  
 Amperaje .....7,2

**K-1500A/B**

Tipo.....reversible, 115V/60Hz; ver-  
 siones de 230V-240V/50Hz  
 disponibles a pedido

Potencia.....3/4 HP  
 Amperaje .....10,4

**K-1500A/B-SP**

Tipo.....reversible, 115V/240V-60Hz,  
 enfriado con ventilador total-  
 mente cubierto

Potencia.....1 HP  
 Amperaje .....15

**Bastidor:**

Tipo A.....2 ruedas en la parte trasera  
 con mango vertical en el basti-  
 dor y con capacidad para al-  
 macenar cable

Tipo B .....2 ruedas en la parte de-  
 lantera del bastidor

Consulte el catálogo RIDGID RT para conocer los diversos modelos de máquina y sus accesorios. Cada modelo incluye como equipo estándar:

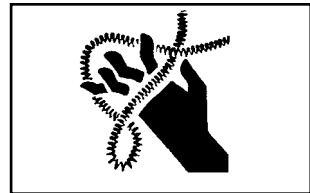
- Un guante para el operario A-1
- Una llave de pasador A-12
- Manguera guía trasera A-34-12



Figura 1 – Limpiadoras de desagües K-75A, K-1500A y K-1500SPA

**Inspección de la máquina**

**▲ ADVERTENCIA**

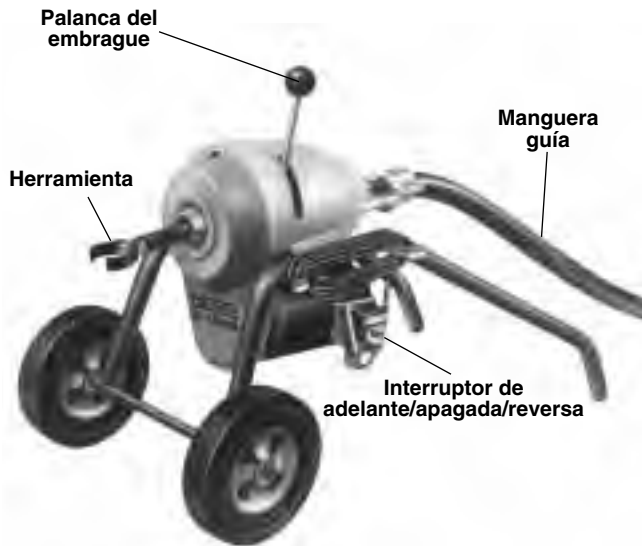


**Revise su Limpiadora de Desagües para evitar lesiones corporales graves. Antes de cada uso deben realizarse los siguientes procedimientos de inspección.**

Tabla 1

Modelo No.	Bastidor tipo	Dimensión de cable	Diámetro del desagüe	Alcance del cable	Potencia	Altura total	Ancho	Largo	Peso de la máquina en libras
K-75A K-75A-SE	A	5/8"	1 1/4" - 3"	125'	1/2 HP a 640 rpm	41 1/2"	20 3/4"	16"	88
K-75B K-75B-SE	B	7/8"	2" - 4"	175'		27 3/4"	20 3/4"	40 5/8"	76
K-1500A K-1500A-SE	A	7/8"	2" - 4"	175'	3/4 HP a 710 rpm	41 1/2"	20 3/4"	16"	92
K-1500B K-1500B-SE	B	1 1/4"	3" - 10"	200'		27 3/4"	20 3/4"	40 5/8"	80
K-1500SP K-1500SPA	B	7/8"	2" - 4"	175'	1HP a 600 rpm	27 3/4"	20 3/4"	40 5/8"	110
	A	1 1/4"	3" - 10"	300'		41 1/2"	20 3/4"	16"	138

1. Asegure que la máquina limpiadora esté desenchufada y el interruptor direccional esté en la posición de **OFF** (Figuras 1 y 2).
2. Revise el cordón de suministro, el GFCI (Interruptor del Circuito de Pérdida a Tierra) y el enchufe, por si están dañados. Si el enchufe ha sido modificado, si le falta la clavija de conexión a tierra o si el cordón se encuentra dañado, no use la Limpiadora de Desagües hasta que el cordón haya sido cambiado.
3. Revise la máquina limpiadora de desagües por si alguna de sus partes está quebrada, faltando, desalineada o agarrada, y por si existe cualquiera otra condición que pueda afectar el funcionamiento normal y seguro de la máquina. Si detecta algún daño, no use la Limpiadora de Desagües hasta que haya sido reparada.



**Figura 2 – Limpiadoras de desagües K-75B, K-1500B y K-1500SP**

4. Lubrique la Limpiadora de Desagües, si es necesario, de acuerdo a las Instrucciones de Mantenimiento.
5. Emplee accesorios diseñados para usarse con su limpiadora y que son los requeridos para cada uso determinado. Los accesorios debidos le permiten realizar su labor en forma exitosa y segura. Los accesorios de otras máquinas pueden resultar peligrosos si se usan con esta limpiadora de desagües.
6. Limpie el aceite, grasa o mugre de todos los mangos y controles de la máquina. Esto reduce el riesgo de que se lesione si algún control o mango de la máquina se resbala de sus manos.
7. Revise los filos de corte de las herramientas que se acoplan a la punta del cable. Si es necesario, hágalas afilar o cámbielas antes de usar la Limpiadora de

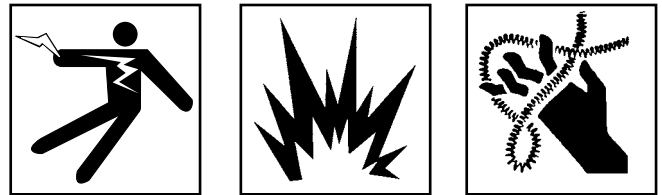
Desagües. Las herramientas desafiladas o dañadas pueden atascarse y romper el cable.

8. Revise los cables y acoplamientos por si estuvieran desgastados o dañados. Los cables deben cambiarse cuando se vuelvan muy desgastados o corroídos. Se nota que un cable está desgastado cuando sus espirales exteriores se han aplanado.

**⚠ ADVERTENCIA** Los cables desgastados o dañados pueden cortarse y causar graves lesiones.

## Preparación de la máquina

### ⚠ ADVERTENCIA



**No ponga la máquina sobre agua. Si al motor le entra agua, pueden ocurrir choques eléctricos.**

**Para evitar lesiones graves, se requiere preparar la máquina y la zona de trabajo adecuadamente. Para preparar la máquina para su uso deben seguirse los siguientes procedimientos:**

1. Verifique que la zona de trabajo:
  - tenga suficiente luz.
  - tenga un tomacorriente con conexión a tierra.
  - tenga un camino despejado hacia el tomacorriente, libre de fuentes de calor o aceite, bordes afilados o piezas movibles que puedan dañar el cordón eléctrico.
  - tenga un lugar seco para el operario y la máquina. No ponga la máquina donde hay agua.
  - no tenga líquidos inflamables, vapores o polvo que puedan provocar un incendio.
2. Sitúe la Limpiadora de Desagües a menos de dos pies de la entrada del desagüe. A mayor distancia, el cable puede doblarse o enroscarse.
3. Asegure que el interruptor de FOR/OFF/REV (adelante/apagada/reversa) esté en la posición de OFF (apagada).



Figura 3 – Acoplamiento de la manguera guía trasera

4. Acople la manguera guía trasera metiendo el adaptador de la manguera guía en las clavijas de la manguera guía (Figura 3).

**⚠ ADVERTENCIA** No use la máquina si no tiene la manguera guía trasera acoplada. Evita que el cable dé la-tigazos o que se enrede y, gracias a ella, no se ensucia el lugar donde se trabaja.

5. Introduzca el primer trozo de cable por la parte delantera de la máquina (extremo hembra primero) y empújelo a través de la manguera guía hasta que sólo quede un pie de cable fuera de la parte delantera de la máquina (Figura 4).



Figura 4 – Introducción del cable por la parte delantera de la máquina

**⚠ ADVERTENCIA** Nunca acople más de un cable a la vez. Saldrá cable hacia atrás de la manguera guía trasera.

6. Seleccione e instale la herramienta deseada en la punta del cable. El conector en T permite encajar la herramienta con un clic al acoplador del cable (Figura 5). Para desmontar la herramienta, emplee la llave de

pasador para oprimir el pulsador y luego desacople las partes.



Figura 5 – Modo de acoplar y desacoplar cables y herramientas

**¡NOTA!** Selección de la herramienta adecuada

Como regla general, debe emplearse una herramienta por lo menos una pulgada más pequeña que el diámetro del desagüe que se intenta limpiar. La naturaleza del trabajo que se va a realizar es la que determina el tipo de herramienta necesaria. Esto queda a criterio del operario.

7. Enchufe la Limpiadora de Desagües al tomacorriente, asegurando que el cordón de suministro se encuentre en la zona despejada seleccionada con anterioridad. Si el cordón de suministro eléctrico no alcanza al tomacorriente, ocupe un cordón de extensión en buenas condiciones.

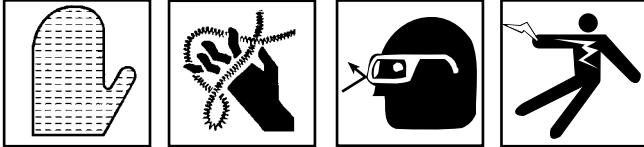
**⚠ ADVERTENCIA** Para evitar un choque eléctrico e incendios eléctricos, jamás use un cordón de extensión dañado o que no cumpla con los siguientes requisitos:

- tener un enchufe de tres clavijas similar al que se muestra en la sección Seguridad Eléctrica.
- tener una clasificación "W" ó "W-A" si se lo va a usar al aire libre.
- tener un grosor de alambre suficiente (16 AWG cuando su longitud es inferior a 50 pies, y 14 AWG cuando mide entre 50 y 100 pies de largo). Si el grosor del alambre es inferior al necesario, el cordón puede recalentarse, derretir el aislante del cordón, o inflamar objetos cercanos.

**⚠ ADVERTENCIA** Para reducir el peligro de que se produzca un choque eléctrico, mantenga todas las conexiones secas y levantadas del piso. No toque el enchufe con las manos mojadas. Pruebe el Interruptor del Circuito de Pérdida a Tierra (GFCI) proporcionado con el cordón eléctrico para asegurar que funciona correctamente. Cuando se oprime el botón de prueba (test button), la luz del indicador debe apagarse. Para re-activarlo, oprima el botón de prueba. Si la luz del indicador se enciende, la máquina está lista para usarse. Si el GFCI no funciona debidamente, no use la máquina.

## Instrucciones de funcionamiento

### ▲ ADVERTENCIA



Use los mitones remachados provistos con la máquina. Nunca agarre un cable que se encuentra girando con un trapo o un guante de tela que le queda suelto, porque pueden enrollarse en el cable y lesionarlo gravemente.

Siempre use protección para los ojos para evitar que les entren mugre u otros objetos extraños. Use zapatos con suela de goma y antideslizantes.

Tenga sumo cuidado cuando vaya a limpiar desagües por los que se han vaciado compuestos químicos de limpieza. Use guantes cuando maneje el cable y evite el contacto directo con la piel y especialmente con los ojos y la cara, porque puede causarle quemaduras graves.

No haga funcionar la máquina si la palanca del embrague está dañada o no funciona como es debido. El embrague es un dispositivo de seguridad: cuando se lo suelta, el cable debe dejar de girar.

**¡CUIDADO!** Es importante conocer de antemano la distancia aproximada que existe desde la entrada o acceso al desagüe hasta la alcantarilla principal o el pozo séptico. Si el cable se introduce demasiado lejos dentro de la alcantarilla matriz o del pozo séptico, puede anudarse y no haber de regreso por la tubería de menor diámetro. Si está empleando un cable estándar de 1¼ pulgada en una tubería de 12 pulgadas o más de diámetro, no permita que el cable sobrepase los 10 a 15 pies. Cuando trabaje en un pozo séptico, no permita que el cable rebase más allá de 3 a 5 pies del límite.

1. Adopte la postura correcta para mantener un buen equilibrio (*Figura 6*).

**▲ ADVERTENCIA** Si mantiene una buena postura, podrá controlar la máquina y el cable en situaciones inesperadas.

- Asegure que puede soltar la palanca del embrague rápidamente.
- Su mano enguantada debe estar sobre el cable para controlar su acción giratoria cuando penetra en un atasco.
- Debe poder alcanzar con facilidad el interruptor de FOR/OFF/REV (adelante, neutro, reversa).



Figura 6 – Postura correcta para trabajar

2. Saque la suficiente longitud de cable fuera de la máquina para introducir la herramienta y el cable en el acceso al desagüe. Empuje el cable dentro del desagüe hasta donde más pueda.
3. Tire más cable a través de la máquina como para casi formar un semicírculo entre la máquina y el acceso al desagüe.
4. Sin apretarlo, sostenga el cable con la mano enguantada. Coloque el interruptor de FOR/OFF/REV en la posición de FOR (adelante).

¡NOTA! El motor comenzará a funcionar pero el cable no girará.

5. Mientras su mano enguantada está sobre el cable, con la otra empuje la palanca del embrague hacia abajo para embragar el cable. Para hacer avanzar el cable, empuje bruscamente sobre la parte superior de la lazada (del cable).

¡NOTA! Un enganche lento o gradual del embrague produce el desgaste excesivo de las mordazas. El embrague es de acción instantánea y al regresar la palanca del embrague a su posición original, ésta libera el cable instantáneamente.

6. Tan pronto como el exceso de cable haya penetrado en el desagüe, suelte la palanca del embrague y extraiga de la máquina, con su mano enguantada, entre seis y diez pulgadas de cable.
7. Continúe introduciendo el cable hasta que encuentre resistencia o una obstrucción. El operario se dará cuenta de que se ha topado con una obstrucción



porque se le hará difícil alimentar más cable por la tubería y/o el cable tenderá a irse de costado de las manos del operario.

8. Si el cable se resiste en la obstrucción, alívielo re-trayéndolo con tirones cortos y rápidos para liberar a la herramienta cortadora. Vuelva a meter el cable lentamente en la obstrucción. Repita este procedimiento hasta que se haya despejado la obstrucción. Recuerde: asegure que la cortadora esté girando constantemente y nunca fuerce el cable. En este momento, el progreso depende de lo afilada que se encuentre la herramienta de corte y de la naturaleza de la obstrucción.

**▲ ADVERTENCIA**

**No permita que se acumule tensión en el cable. Esto ocurrirá si la herramienta de corte se queda enganchada y cesa de girar, mientras el motor y el cable continúan girando. Puede acumularse tal momento torsor que el cable se tuerce, pudiendo enroscarse en la mano o el brazo. Esto puede suceder rápidamente, sin previo aviso, por lo tanto, proceda lenta y cuidadosamente cuando vaya alimentando el cable por el desagüe. Si suelta la palanca del embrague el cable dejará de girar y se acabará el par de torsión. Si la herramienta se queda enganchada en un atasco, consulte las Instrucciones para el Funcionamiento en Reversa en la sección "Procedimientos especiales".**

9. Una vez desatascada la obstrucción, se recomienda que el operario enjuague los desechos del desagüe con agua corriente. Repita el paso 8 varias veces, si es necesario, para lograr una limpieza rigurosa y luego proceda a atravesar los demás atascos si los hay.

10. Para agregar cable, siga el siguiente procedimiento:

- Cuando llegue al final de cada sección de cable, apague la máquina.
- Sujete el final del cable en la entrada del desagüe metiendo su extremo en la tubería como se muestra en la *Figura 7*. Este procedimiento es especialmente útil cuando se está limpiando un desagüe de considerable pendiente.

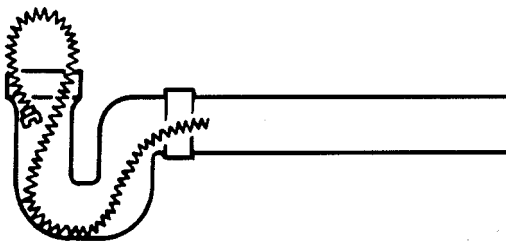


Figura 7 – Modo de sujetar el cable a la entrada del desagüe

- Introduzca otra sección de cable a través de la parte delantera de la máquina (con el extremo hembra primero) hasta que asome aproximadamente un pie fuera de la parte delantera de la máquina.
- Acople esta nueva sección de cable al cable dentro del desagüe y reanude la faena.

11. Para retraer el cable del desagüe, haga lo siguiente:

- Deje el interruptor de FOR/OFF/REV en la posición de FOR (adelante).
- Lleve la palanca del embrague hacia abajo para engranar el cable. Con la mano enguantada tire del cable hacia fuera del desagüe (si es posible) o sostenga el cable contra el borde de la entrada para ayudar a retraerlo hasta que forme una lazada delante de la máquina.

**¡NOTA!** Al sujetar el cable contra el borde de la entrada al desagüe, su rotación lo hará salir rápidamente.

- Cuando se forme la lazada, suelte la palanca del embrague y empuje el exceso de cable de regreso a través de la máquina. Desconecte las secciones de cable, una por una.

**▲ ADVERTENCIA** Cuando proceda a desconectar secciones de cables, recuerde que debe apagar la máquina y sujetar el extremo del cable que se encuentra en el desagüe.

- Una vez extraída una sección de cable, meta el extremo del cable que se encuentra sujeto con un lazo a la entrada del desagüe por la parte delantera de la máquina. Continúe desconectando secciones de cable hasta que la herramienta en la punta de la última sección de cable esté a punto de aparecer por la entrada del desagüe.

**CONSEJO:** Cuando vuelva a colocar los cables que han salido del desagüe en el portacables, reconéctelos nuevamente. Así los podrá sacar con mayor rapidez en la próxima faena.

**▲ ADVERTENCIA** Nunca retraiga la herramienta desde la entrada al desagüe mientras el cable está girando. La herramienta puede dar latigazos y causar graves lesiones.

12. Gire el interruptor de FOR/OFF/REV a la posición de OFF.
13. Extraiga el cable restante y la herramienta en su punta, fuera del desagüe.
14. Desenchufe la máquina y extraiga la manguera guía.

**¡CUIDADO!** Terminada la limpieza del desagüe, lave a fondo y seque los cables, acoplamientos y herramientas de corte con agua, puesto que los algunos compuestos



químicos empleados en la limpieza de desagües son corrosivos.

## Procedimientos especiales

### Funcionamiento en reversa

El funcionamiento de la máquina en marcha atrás o reversa dañará al cable prematuramente. Use la reversa sólo para liberar a una herramienta o cable trabado en una obstrucción. Si esto ocurre, inmediatamente suelte la palanca del embrague y ponga el interruptor de FOR/OFF/REV (adelante/apagada/reversa) en la posición de OFF (apagada). Después que el motor se haya detenido por completo, coloque el interruptor de FOR/OFF/REV (adelante/apagada/reversa) en reversa. Accione la palanca del embrague sólo hasta que el cable o la herramienta hayan salido de la obstrucción. Suelte la palanca del embrague apenas el cable o la herramienta se desatasquen. Apague la máquina (OFF). Haga marchar la máquina en la dirección de FOR (adelante) y siga operando la máquina en forma normal.

**▲ ADVERTENCIA** Nunca haga funcionar esta máquina en REV (REVERSA) por algún otro motivo. El funcionamiento de la máquina en REV (reversa) puede dañar el cable y causar lesiones de gravedad.

### Cables para distintos usos

**Cable estándar** Se usa cable estándar de 7/8 ó 1 1/4 pulgada en desagües rectilíneos de 3 a 6 pulgadas y a través de acoplamientos. (Figura 8)



Figura 8 – Empleos de cables estándar

**Cables de servicio pesado** Donde las condiciones lo permitan, deben de usarse cables de servicio pesado de 1 1/4 pulgada tales como el C-14, puesto que limpian las tuberías más rápidamente y tienen una larga vida útil. Los cables de servicio pesado funcionan eficazmente en tuberías rectas de 4 a 8 pulgadas de diámetro. (Figura 9)

¡NOTA! No se debe de usar este tipo de cable en tuberías donde se encuentren en uso sifones o trampillas en P o trampillas corrientes de 4 pulgadas de diámetro.

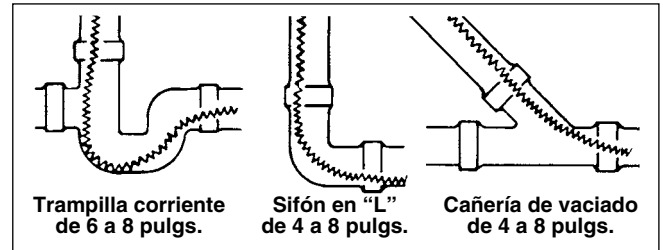


Figura 9 – Empleos de cables de servicio pesado

**Limpieza más rápida** Las obstrucciones de grasa pueden desatascarse con mayor eficacia y rapidez si se dobla o curva el cable a unas 6 a 8 pulgadas detrás de la herramienta cortadora. (Figura 10)

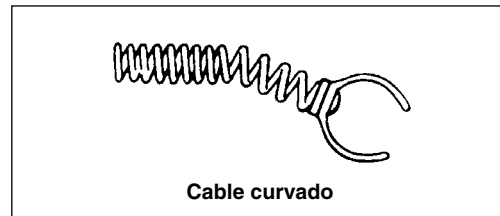


Figura 10 – Cómo doblar el cable para limpiar un atasco con mayor rapidez

**Almacenamiento y transporte de los cables**

(Sólo los modelos con bastidor “A”)

Los cables se almacenan y transportan en los modelos con bastidor “A” como se muestra en la *Figura 11*.



Figura 11 – Modo de transportar los cables en un modelo con bastidor “A”

**Accesorios**

**⚠ ADVERTENCIA** Sólo los siguientes productos RIDGID han sido fabricados para funcionar con las Limpiadoras de Desagües de cables seccionados. Otros accesorios aptos para usarse con otras máquinas pueden resultar peligrosos si se montan a estas limpiadoras. Para evitar lesiones corporales graves, emplee únicamente los accesorios recomendados.

**Máquinas K-75A/B**

**Cables y líderes**

No. en el catálogo	Modelo No.	Descripción
62275	C-10	Cable de embobinado multiuso, 15 pies
30007	T-127	Líder para trampillas, 7/8 pulg.

**Cables de 5/8 pulgada**

No. en el catálogo	Modelo No.	Descripción
51317	C-9	De uso pesado, 10 pies (3 metros)
62270	C-8	De embobinado multiuso, 7 1/2 pies (2,3 metros)
62265	C-7	De embobinado apretado, 7 1/2 pies (2,3 metros)

**Accesorios**

No. en el catálogo	Modelo No.	Descripción
59360	A-3	Caja de herramientas
59205	A-1	Mitón para mano izquierda
59295	A-2	Mitón para mano derecha
59225	A-12	Llave de pasador, cable de 7/8 pulg.
59230	A-13	Llave de pasador, cable de 5/8 pulg.
59470	A-8	Portacable (para 5 secciones de cable C-10)
59210	A-10	Portacable (para 3 secciones de cable C-10)
59425	A-36	Carrito para el cable
59330	A-376X	Juego de mordazas adapta a la K-75 para usar cable de 5/8 pulg.
59325	A-368X	Juego de mordazas de recambio de 7/8 pulg.
84315	A-34-8	Manguera guía trasera de 8 pies
59415	A-34-10	Manguera guía trasera de 10 pies
59395	A-34-12	Manguera guía trasera de 12 pies

**Herramientas de cable C-10 – 7/8 pulg.**

No. en el catálogo	Modelo No.	Descripción	Replacement Blade(s)
62850	T-101	Barrena recta	—
62855	T-102	Barrena de embudo	—
27642	T-125	Barrena recuperadora	—
62860	T-103	Barrena de sierra dentada, 2 1/2 pulg.	98070
62865	T-104	Barrena cortagrasa en “H”, 2 1/2 pulg.	97800
62870	T-105	Barrena cortagrasa, 2 1/2 pulg.	97920
62875	T-106	Barrena cortagrasa, 3 1/2 pulg.	97925
62880	T-107	Barrena de pala, 1 3/4 pulg.	92850
62915	T-109	Cortadora espiral dentada, 1 3/4 pulg.	97930
62920	T-110	Cortadora espiral dentada, 2 1/4 pulg.	97935
62925	T-111	Cortadora espiral dentada, 3 pulg.	92890
62930	T-112	Cortadora de 4 cuchillas, 1 3/4 pulg.	97915
62935	T-113	Cortadora de 4 cuchillas, 3 pulg.	97940
98050	T-150	Cortadora de dientes de tiburón, 3 y 4 pulg.	See Below
98055	T-150-1	Cortadora de dientes de tiburón, cuchilla de 3 pulg.	98005
98060	T-150-2	Cortadora de dientes de tiburón, cuchilla de 4 pulg.	98010
62940	T-114	Golpeadora a cadenas	97985

**Máquinas K-1500A/B**

**Cables y líderes**

No. en el catálogo	Modelo No.	Descripción
92280	C-11	Bobinado de multiuso, estándar de 15 pies, pasos de 3/8 pulg. Apto para trampillas de 4 pulg., desagües de 3 a 8 pulg. de diámetro.
62285	C-12	Bobinado de servicio pesado extraordinario, de 15 pies, pasos de 3/8 pulg. Largos recorridos, de 4 a 10 pulg., sin trampillas de 4 pulg.
62295	C-14	Bobinado de servicio pesado, pasos de 1/2 pulg. Desagües de vaciado, sin trampillas de 4 pulg.
62300	C-15	Bobinado extraflexible de 15 pies, pasos de 1/2 pulg. Cañerías de 3 a 6 pulg. Apto para trampillas.
63090	T-27	Líder de 1 1/4 pulg. x 25 pies
62275	C-10	Bobinado de multiuso, estándar de 15 pies, requiere juego de mordazas A-368X y herramientas de 7/8 pulg.

**Accesorios**

No. en el catálogo	Modelo No.	Descripción
59470	A-8	Portacables con capacidad para 60 pies (1¼ pulg. diámetro)
59210	A-10	Portacables, capacidad para 150 pies (1¼ pulg. diámetro)
59415	A-34-10	Manguera guía trasera de 10 pies
59395	A-34-12	Manguera guía trasera de 12 pies
59400	A-34-16	Manguera guía trasera de 16 pies
59300	A-20	Conjunto de Manguera guía delantera de 8 pies
59205	A-1	Mitón para mano izquierda
59295	A-2	Mitón para mano derecha
59360	A-3	Caja de herramientas
59225	A-12	Llave de pasador para acoplamientos
59440	A-4	Cuchara para trampilla (30 pulgs.)
59240	A-17	Tubo guía para boca de alcantarilla
59320	A-369X	Juego de mordazas de recambio de 1¼ pulg.

**Herramientas para Cables C-11, C-12, C-14 y C-15 de 1¼ pulg.**

No. en el catálogo	Modelo No.	Descripción
62840	T-1	Barrena recta
61800	T-2	Barrena recta de servicio pesado
63105	T-3	Barrena de embudo
61790	T-4	Barrena de embudo de servicio pesado
63190	T-5	Barrena recuperadora recta
63195	T-6	Barrena recuperadora de embudo
63200	T-7	Barrena de gancho
63205	T-8	Barrena cortagrasa, 2½ pulg.
63210	T-9	Barrena cortagrasa, 3½ pulg.
62845	T-10	Barrena cortagrasa de 4½ pulg.
59480	T-11	Cortadora en "H", 2½ pulg.
59485	T-12	Cortadora de "H", 3½ pulg.
61970	T-13	Cortadora de sierra dentada, 2½ pulg.
61975	T-14	Cortadora de sierra dentada, 3½ pulg.
61770	T-15A	Cortadora de ensanche, 4 a 6 pulg.
61825	T-15B	Cortadora de ensanche, 6 a 8 pulg.
61960	T-16	Cortadora espiral de barra, 4 pulg.
61850	T-17	Cortadora espiral de barra, 6 pulg.
61855	T-18	Cortadora de barra espiral, 8 pulg.
59625	T-21	Cortadora espiral de sierra dentada, 3½ pulg.
63075	T-22	Cortadora espiral de sierra dentada, 3 pulg.
63085	T-23	Cortadora espiral de sierra dentada, 4 pulg.
59765	T-24	Cortadora de 4 cuchillas, 2½ pulg.
59770	T-25	Cortadora de 4 cuchillas, 3½ pulg.
59775	T-26	Cortadora de 4 cuchillas, 4½ pulg.
59780	T-26A	Cortadora de 4 cuchillas, 5½ pulg.
98030	T-50	Cortadora de 3 cuchillas, 3, 4 y 5 pulg.
98035	T-50-1	Cortadora de dientes de tiburón, 3 pulg.
98040	T-50-2	Cortadora de dientes de tiburón, 4 pulg.
98045	T-50-3	Cortadora de dientes de tiburón, 6 pulg.
63110	T-31	Golpeadora a cadenas, tubería de 3 a 4 pulg.
63115	T-32	Golpeadora a cadenas, tubería de 6 pulg.
63120	T-33	Golpeadora a cadenas, tubería de 8 pulg.
63145	T-38	Escobilla de conductos de humo, 1½ pulg.
63150	T-39	Escobilla de conductos de humo, 2 pulg.
63155	T-40	Escobilla de conductos de humo, 2½ pulg.
63160	T-41	Escobilla de conductos de humo, 3 pulg.
63165	T-42	Escobilla de conductos de humo, 3½ pulg.
63170	T-43	Escobilla de conductos de humo, 4 pulg.
63175	T-44	Escobilla de conductos de humo, 4½ pulg.
63240	T-45	Escobilla de conductos de humo, 5 pulg.
63180	T-46	Escobilla de conductos de humo, 5½ pulg.
63185	T-47	Escobilla de conductos de humo, 6 pulg.

¡NOTA! Vea el Catálogo de Ridge Tool para un listado completo de herramientas de corte y accesorios.

**Instrucciones de mantenimiento**

**▲ ADVERTENCIA**

**Asegure que la máquina esté desenchufada de la fuente de suministro antes de efectuarle cualquier mantenimiento o ajuste.**

**Lubricación de las partes móviles**

Cada tres meses, engrase todas las piezas móviles expuestas, tales como los brazos oscilantes o de vaivén y el cojinete principal (rodamiento). El engrase del cojinete principal debe hacerse a través del fitting ubicado dentro de la ranura en la palanca del embrague.

**Lubricación de las mordazas del embrague**

Limpie y lubrique las mordazas del impulsor del embrague con aceite después de cada uso.

**Cables**

Los cables deben lavarse a fondo con agua para prevenir los efectos dañinos de sedimentos y compuestos químicos para la limpieza de desagües. Periódicamente lubrique los cables y acoplamientos con Inhibidor de la oxidación de cables RIDGID.

Cuando no estén en uso, almacene los cables bajo techo para evitar su deterioro por los agentes naturales.

Los cables deben cambiarse cuando se vuelvan severamente corroídos o desgastados. Un cable está desgastado cuando sus espirales exteriores se han aplanado.

**Recambio de las mordazas del embrague**

1. Extraiga los tres tornillos que sujetan la cubierta delantera a la carcasa.
2. Extraiga los tornillos de la pieza saliente (Figura 12).



Figura 12 – Recambio de las mordazas del embrague

- Deslice las mordazas fuera del impulsor del embrague y cámbielas por las del tamaño deseado.



Figura 13 – Recambio de las mordazas del embrague

- Vuelva a colocar el conjunto de la pieza saliente, los tornillos y la cubierta.

**⚠ ADVERTENCIA** Nunca haga funcionar una de estas máquinas sin su cubierta protectora. Pueden engancharse los dedos entre la correa y la polea.

### Eliminación del juego (holgura) del embrague

- Para eliminar el juego (holgura) del embrague, afloje el tornillo en la tuerca de ajuste (Figura 14).
- Gire el enclavamiento y la tuerca de ajuste hacia la derecha hasta que se encuentren apretados contra el alojamiento; luego aflójelos en media vuelta.
- Apriete el tornillo en el enclavamiento y la tuerca de ajuste.



Figura 14 – Eliminación del juego (holgura) del embrague

### Regulación de la correa trapezoidal

Periódicamente inspeccione la correa trapezoidal por si está suelta. La correa trapezoidal debe estar siempre tensa.

- Para tensar la correa trapezoidal, extraiga la cubierta.
- Afloje la tuerca de seguridad, gire el perno de ajuste lentamente hasta que la correa se tense. Apriete la tuerca de seguridad. (Figura 15)



Figura 15 – Regulación de la correa trapezoidal

### Almacenaje de la máquina

**⚠ ADVERTENCIA** Los equipos propulsados a motor deben guardarse bajo techo o bien cubiertos de la lluvia o nieve. Almacene la limpiadora de desagües bajo llave donde no la puedan alcanzar los niños y personas inexpertas. En manos de personas sin entrenamiento, esta máquina puede causar graves lesiones.

Si la máquina ha quedado expuesta a temperaturas bajo 0°C, se la debe precalentar por unos 10 a 20 minutos antes de usarla. Los cojinetes o rodamientos estarán congelados si no se la calienta. Si a la máquina se la deja expuesta a la intemperie por algún tiempo, se humedecerán las bobinas del motor y el motor se quemará.

**⚠ ADVERTENCIA** Sólo deben usarse piezas de recambio idénticas cuando se le hace mantenimiento a esta máquina. Si no se siguen estas instrucciones, pueden producirse choques eléctricos u otras lesiones graves.

## Servicio y reparaciones

### ⚠ ADVERTENCIA

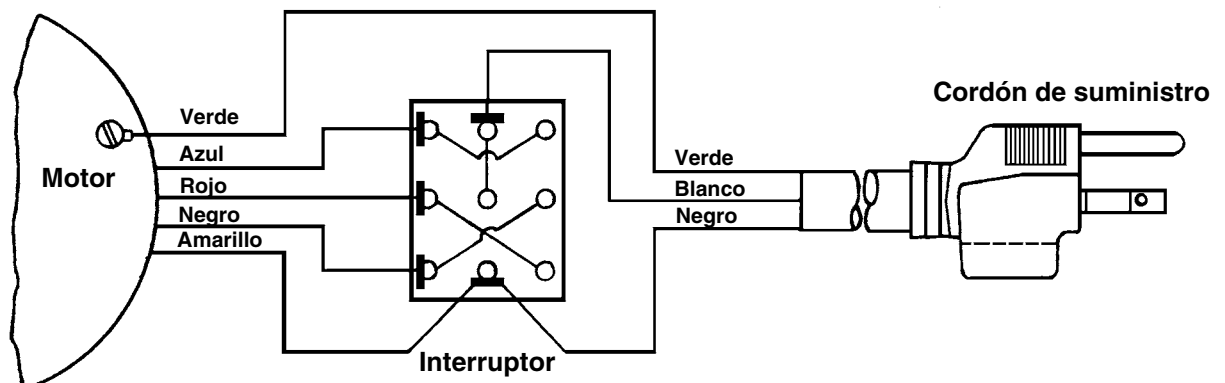


La sección “Instrucciones para el mantenimiento” trata la mayor parte de los servicios requeridos por esta máquina. Cualquier problema que no haya sido mencionado en esta sección debe ser resuelto únicamente por un técnico de reparaciones autorizado de RIDGID.

La herramienta debe llevarse a un Servicentro Autorizado Independiente RIDGID o devuelta a la fábrica. Todas las reparaciones hechas por los establecimientos de servicio Ridge están garantizadas de estar libres de defectos de material y de mano de obra.

## Diagrama de cableado K-75A/B y K-150 A/B

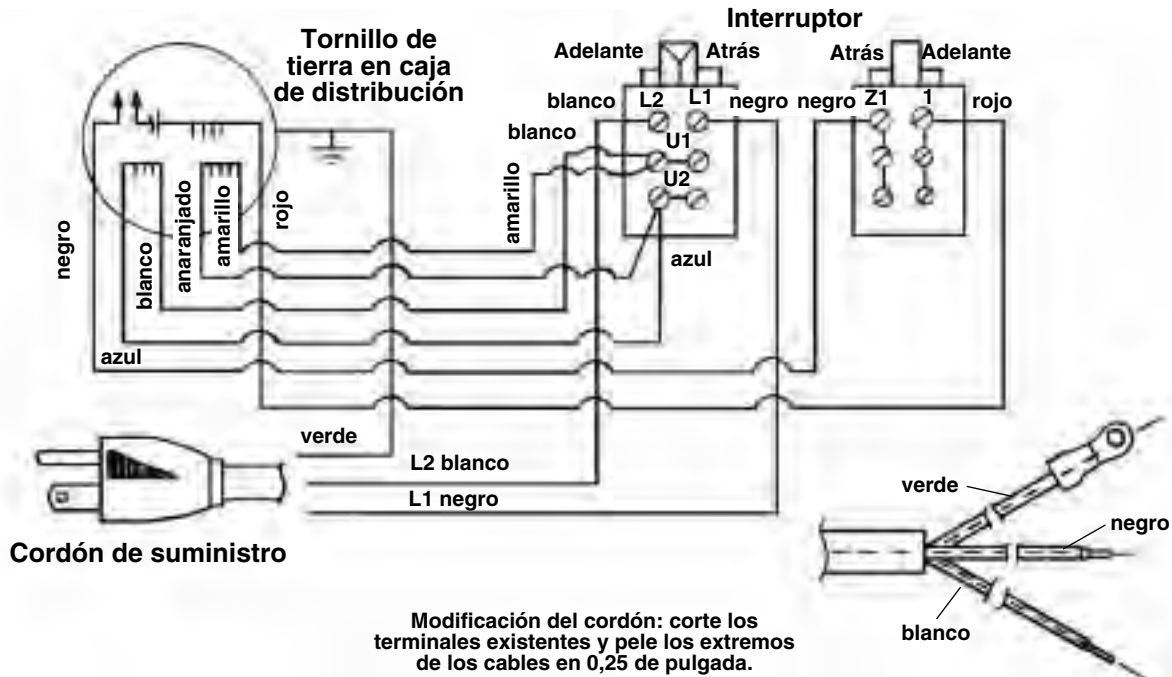
115V





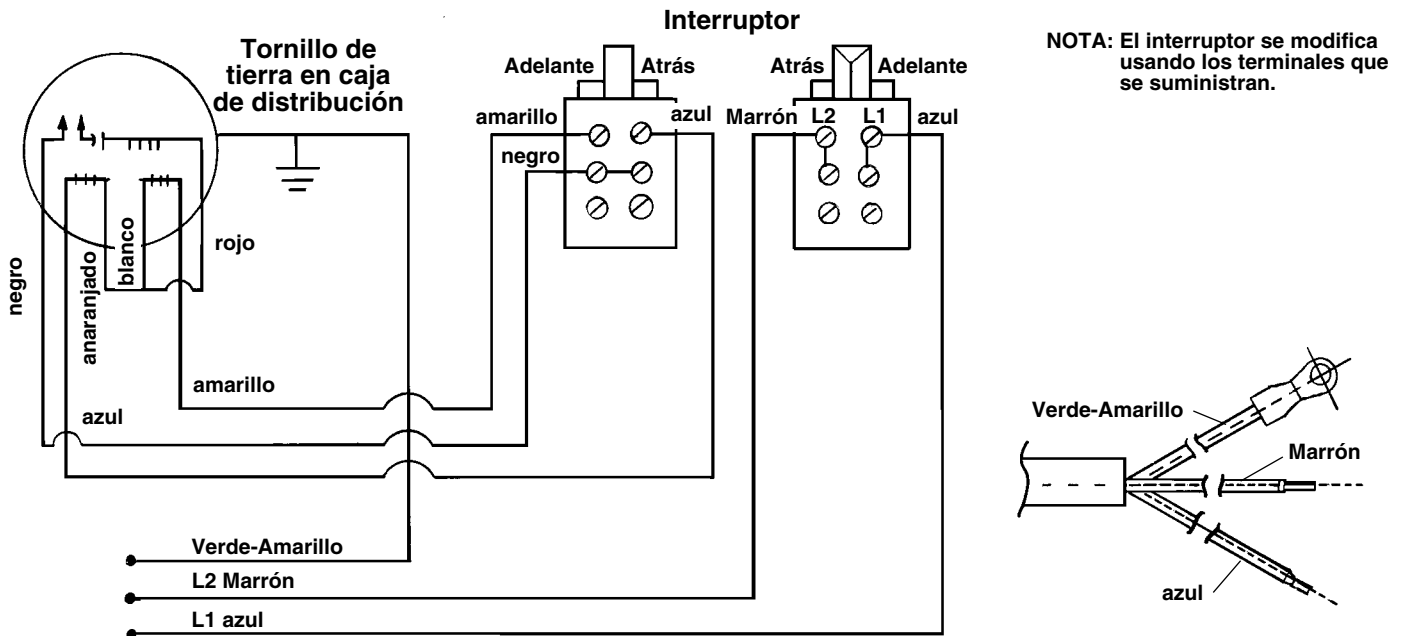
### Diagrama de cableado K-1500SP

120V/60 Hz



### Diagrama de cableado K-1500SP

220V/240V/50 Hz



Modificación del cordón: corte los terminales existentes y pele los extremos de los cables en 0,25 de pulgada.

**What is covered**

RIDGID® tools are warranted to be free of defects in workmanship and material.

**How long coverage lasts**

This warranty lasts for the lifetime of the RIDGID® tool. Warranty coverage ends when the product becomes unusable for reasons other than defects in workmanship or material.

**How you can get service**

To obtain the benefit of this warranty, deliver via prepaid transportation the complete product to RIDGE TOOL COMPANY, Elyria, Ohio, or any authorized RIDGID® INDEPENDENT SERVICE CENTER. Pipe wrenches and other hand tools should be returned to the place of purchase.

**What we will do to correct problems**

Warranted products will be repaired or replaced, at RIDGE TOOL'S option, and returned at no charge; or, if after three attempts to repair or replace during the warranty period the product is still defective, you can elect to receive a full refund of your purchase price.

**What is not covered**

Failures due to misuse, abuse or normal wear and tear are not covered by this warranty. RIDGE TOOL shall not be responsible for any incidental or consequential damages.

**How local law relates to the warranty**

Some states do not allow the exclusion or limitation of incidental or consequential damages, so the above limitation or exclusion may not apply to you. This warranty gives you specific rights, and you may also have other rights, which vary, from state to state, province to province, or country to country.

**No other express warranty applies**

This FULL LIFETIME WARRANTY is the sole and exclusive warranty for RIDGID® products. No employee, agent, dealer, or other person is authorized to alter this warranty or make any other warranty on behalf of the RIDGE TOOL COMPANY.

**Ce qui est couvert**

Les outils RIDGE® sont garantis contre tous vices de matériaux et de main d'oeuvre.

**Durée de couverture**

Cette garantie est applicable durant la vie entière de l'outil RIDGE®. La couverture cesse dès lors que le produit devient inutilisable pour raisons autres que des vices de matériaux ou de main d'oeuvre.

**Pour invoquer la garantie**

Pour toutes réparations au titre de la garantie, il convient d'expédier le produit complet en port payé à la RIDGE TOOL COMPANY, Elyria, Ohio, ou bien le remettre à un réparateur RIDGID® agréé. Les clés à pipe et autres outils à main doivent être ramenés au lieu d'achat.

**Ce que nous ferons pour résoudre le problème**

Les produits sous garantie seront à la discrétion de RIDGE TOOL, soit réparés ou remplacés, puis réexpédiés gratuitement ; ou si, après trois tentatives de réparation ou de remplacement durant la période de validité de la garantie le produit s'avère toujours défectueux, vous aurez l'option de demander le remboursement intégral de son prix d'achat.

**Ce qui n'est pas couvert**

Les défaillances dues au mauvais emploi, à l'abus ou à l'usure normale ne sont pas couvertes par cette garantie. RIDGE TOOL ne sera tenue responsable d'aucuns dommages directs ou indirects.

**L'influence de la législation locale sur la garantie**

Puisque certaines législations locales interdisent l'exclusion des dommages directs ou indirects, il se peut que la limitation ou exclusion ci-dessus ne vous soit pas applicable. Cette garantie vous donne des droits spécifiques qui peuvent être éventuellement complétés par d'autres droits prévus par votre législation locale.

**Il n'existe aucune autre garantie expresse**

Cette GARANTIE PERPETUELLE INTEGRALE est la seule et unique garantie couvrant les produits RIDGID®. Aucun employé, agent, distributeur ou tiers n'est autorisé à modifier cette garantie ou à offrir une garantie supplémentaire au nom de la RIDGE TOOL COMPANY.

**Qué cubre**

Las herramientas RIDGID están garantizadas contra defectos de la mano de obra y de los materiales empleados en su fabricación.

**Duración de la cobertura**

Esta garantía cubre a la herramienta RIDGID durante toda su vida útil. La cobertura de la garantía caduca cuando el producto se torna inservible por razones distintas a las de defectos en la mano de obra o en los materiales.

**Cómo obtener servicio**

Para obtener los beneficios de esta garantía, envíe mediante porte pagado, la totalidad del producto a RIDGE TOOL COMPANY, en Elyria, Ohio, o a cualquier Servicentro Independiente RIDGID. Las llaves para tubos y demás herramientas de mano deben devolverse a la tienda donde se adquirieron.

**Lo que hacemos para corregir el problema**

El producto bajo garantía será reparado o reemplazado por otro, a discreción de RIDGE TOOL, y devuelto sin costo; o, si aún resulta defectuoso después de haber sido reparado o sustituido tres veces durante el período de su garantía, Ud. puede optar por recibir un reembolso por el valor total de su compra.

**Lo que no está cubierto**

Esta garantía no cubre fallas debido al mal uso, abuso o desgaste normal. RIDGE TOOL no se hace responsable de daño incidental o consiguiente alguno.

**Relación entre la garantía y las leyes locales**

Algunos estados de los EE.UU. no permiten la exclusión o restricción referente a daños incidentales o consiguientes. Por lo tanto, puede que la limitación o restricción mencionada anteriormente no rija para Ud. Esta garantía le otorga derechos específicos, y puede que, además, Ud tenga otros derechos, los cuales varían de estado a estado, provincia a provincia o país a país.

**No rige ninguna otra garantía expresa**

Esta GARANTIA VITALICIA es la única y exclusiva garantía para los productos RIDGID. Ningún empleado, agente, distribuidor u otra persona está autorizado para modificar esta garantía u ofrecer cualquier otra garantía en nombre de RIDGE TOOL COMPANY.



**EMERSON**  
Professional Tools