

OPERATOR'S MANUAL

MANUEL D'UTILISATION
MANUAL DEL OPERADOR

6-1/8 IN JOINTER/PLANER

SCIE À ONGLETS COMBINÉS COULISSANTE
DE 305 mm (12 po)

SIERRA INGLETEADORA COMPUESTA
DESLIZANTE DE 305 mm (12 pulg.)

JP06101

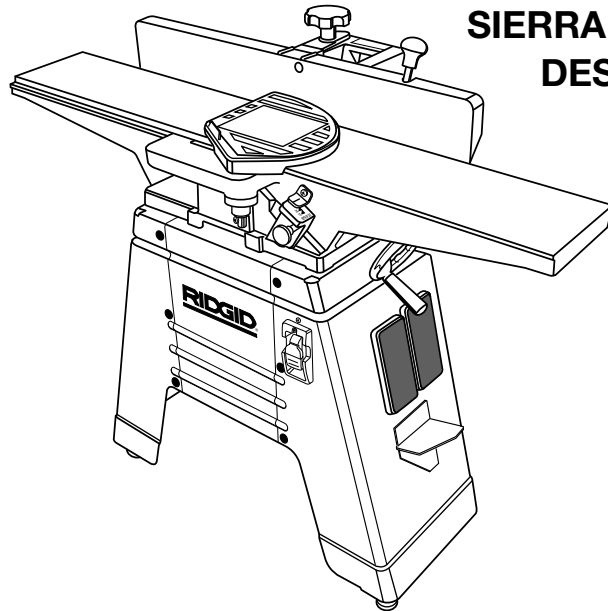


TABLE OF CONTENTS

- General Safety Rules.....2-3
- Specific Safety Rules 4
- Symbols.....5
- Electrical.....6-7
- Glossary of Terms 8
- Features.....9-10
- Tools Needed 10
- Loose Parts 11-12
- Assembly 12-18
- Operation.....19-26
- Adjustments27-29
- Maintenance.....30-31
- Accessories 31
- Troubleshooting32-33
- Warranty 34
- Parts Ordering / Service..... Back Page

WARNING:

To reduce the risk of injury, the user must read and understand the operator's manual before using this product.

**SAVE THIS MANUAL FOR
FUTURE REFERENCE**

TABLE DES MATIÈRES

- Règles de sécurité générales2-3
- Règles de sécurité particulières 4
- Symboles.....5
- Caractéristiques électriques.....6-7
- Glossaire 8
- Caractéristiques9-10
- Outils nécessaires 10
- Pièces détachées 11-12
- Assemblage.....12-18
- Utilisation.....19-26
- Réglages.....27-29
- Entretien30-31
- Accessoires 31
- Dépannage32-33
- Garantie 34
- Commande de pièces / réparation..... Page arrière

AVERTISSEMENT :

Pour réduire les risques de blessures, l'utilisateur doit lire et veiller à bien comprendre le manuel d'utilisation avant d'employer ce produit.

**CONSERVER CE MANUEL
POUR FUTURE RÉFÉRENCE**

ÍNDICE DE CONTENIDO

- Reglas de seguridad generales.....2-3
- Reglas de seguridad específicas 4
- Símbolos5
- Aspectos eléctricos.....6-7
- Glosario de términos 8
- Características9-10
- Herramientas necesarias..... 10
- Piezas sueltas..... 11-12
- Armado.....12-18
- Funcionamiento.....19-26
- Ajustes.....27-29
- Mantenimiento.....30-31
- Accesorios..... 32
- Corrección de problemas.....32-33
- Garantía 34
- Pedidos de piezas / servicio..... Pág. posterior

ADVERTENCIA:

Para reducir el riesgo de lesiones, el usuario debe leer y comprender el manual del operador antes de usar este producto.

**GUARDE ESTE MANUAL
PARA FUTURAS CONSULTAS**

GENERAL SAFETY RULES

WARNING:

Read and understand all instructions. Failure to follow all instructions listed below, may result in electric shock, fire and/or serious personal injury.

READ ALL INSTRUCTIONS

- **KNOW YOUR POWER TOOL.** Read the operator's manual carefully. Learn the applications and limitations as well as specific potential hazards related to this tool.
- **GUARD AGAINST ELECTRICAL SHOCK BY PREVENTING BODY CONTACT WITH GROUNDED SURFACES.** For example: pipes, radiators, ranges, refrigerator enclosures.
- **KEEP GUARDS IN PLACE** and in working order.
- **REMOVE ADJUSTING KEYS AND WRENCHES.** Form habit of checking to see keys and adjusting wrenches are removed from tool before turning it on.
- **KEEP THE WORK AREA CLEAN.** Cluttered work areas and work benches invite accidents. **DO NOT** leave tools or pieces of wood on the tool while it is in operation.
- **DO NOT USE IN DANGEROUS ENVIRONMENTS.** Do not use power tools in damp or wet locations or expose them to rain. Keep the work area well lit.
- **KEEP CHILDREN AND VISITORS AWAY.** All visitors should wear safety glasses and be kept a safe distance from work area. Do not let visitors contact tool or extension cord while operating.
- **MAKE WORKSHOP CHILDPROOF** with padlocks, master switches, or by removing starter keys.
- **DON'T FORCE THE TOOL.** It will do the job better and safer at the rate for which it was designed.
- **USE THE RIGHT TOOL.** Do not force the tool or attachment to do a job for which it was not designed.
- **USE THE PROPER EXTENSION CORD.** Make sure your extension cord is in good condition. Use only a cord heavy enough to carry the current your product will draw. An undersized cord will cause a drop in line voltage resulting in loss of power and overheating. A wire gauge size (A.W.G.) of at least **14** is recommended for an extension cord 25 feet or less in length. If in doubt, use the next heavier gauge. The smaller the gauge number, the heavier the cord.
- **DRESS PROPERLY.** Do not wear loose clothing, gloves, neckties, or jewelry. They can get caught and draw you into moving parts. Also wear protective hair covering to contain long hair.
- **ALWAYS WEAR SAFETY GLASSES WITH SIDE SHIELDS.** Everyday eyeglasses have only impact-resistant lenses, they are **NOT** safety glasses.
- **SECURE WORK.** Use clamps or a vise to hold work when practical, it is safer than using your hand and frees both hands to operate the tool.
- **DO NOT OVERREACH.** Keep proper footing and balance at all times.
- **MAINTAIN TOOLS WITH CARE.** Keep tools sharp and clean for best and safest performance. Follow instructions for lubricating and changing accessories.
- **DISCONNECT TOOLS.** When not in use, before servicing, or when changing attachments, blades, bits, cutters, etc., all tools should be disconnected from power source.
- **AVOID ACCIDENTAL STARTING.** Be sure switch is off when plugging in any tool.
- **USE RECOMMENDED ACCESSORIES.** Consult the operator's manual for recommended accessories. The use of improper accessories may result in injury.
- **NEVER STAND ON TOOL.** Serious injury could occur if the tool is tipped.
- **CHECK DAMAGED PARTS.** Before further use of the tool, a guard or other part that is damaged should be carefully checked to determine that it will operate properly and perform its intended function. Check for alignment of moving parts, binding of moving parts, breakage of parts, mounting and any other conditions that may affect its operation. A guard or other part that is damaged must be properly repaired or replaced by an authorized service center to avoid risk of personal injury.
- **USE THE RIGHT DIRECTION OF FEED.** Feed work into a blade, cutter, or sanding spindle against the direction or rotation of the blade, cutter, or sanding spindle only.
- **NEVER LEAVE TOOL RUNNING UNATTENDED. TURN THE POWER OFF.** Don't leave tool until it comes to a complete stop.
- **PROTECT YOUR LUNGS.** Wear a face or dust mask if the cutting operation is dusty.
- **PROTECT YOUR HEARING.** Wear hearing protection during extended periods of operation.
- **DO NOT ABUSE CORD.** Never carry tool by the cord or yank it to disconnect from receptacle. Keep cord from heat, oil, and sharp edges.
- **USE OUTDOOR EXTENSION CORDS.** When tool is used outdoors, use only extension cords with approved ground connection that are intended for use outdoors and so marked.
- **KEEP BLADES CLEAN, SHARP, AND WITH SUFFICIENT SET.** Sharp blades minimize stalling and kickback.
- **NEVER USE IN AN EXPLOSIVE ATMOSPHERE.** Normal sparking of the motor could ignite fumes.
- **INSPECT TOOL CORDS PERIODICALLY.** If damaged, have repaired by a qualified service technician at an authorized service facility. The conductor with insulation having an outer surface that is green with or without yellow stripes is the equipment-grounding conductor. If repair or replacement of the electric cord or plug is necessary, do not connect the equipment-grounding conductor to a live terminal. Repair or replace a damaged or worn

GENERAL SAFETY RULES

cord immediately. Stay constantly aware of cord location and keep it well away from the rotating blade.




- **INSPECT EXTENSION CORDS PERIODICALLY** and replace if damaged.
- **KEEP TOOL DRY, CLEAN, AND FREE FROM OIL AND GREASE.** Always use a clean cloth when cleaning. Never use brake fluids, gasoline, petroleum-based products, or any solvents to clean tool.
- **STAY ALERT AND EXERCISE CONTROL.** Watch what you are doing and use common sense. Do not operate tool when you are tired. Do not rush.
- **DO NOT USE TOOL IF SWITCH DOES NOT TURN IT ON AND OFF.** Have defective switches replaced by an authorized service center.
- **INSPECT FOR AND REMOVE ALL NAILS FROM LUMBER BEFORE USING THIS TOOL.** Following this rule will reduce the risk of serious personal injury.
- **NEVER START A TOOL WHEN ANY ROTATING COMPONENT IS IN CONTACT WITH THE WORKPIECE.**
- **DO NOT OPERATE A TOOL WHILE UNDER THE INFLUENCE OF DRUGS, ALCOHOL, OR ANY MEDICATION.**
- **WHEN SERVICING** use only identical replacement parts. Use of any other parts may create a hazard or cause product damage.
- **USE ONLY RECOMMENDED ACCESSORIES** listed in this manual or addendums. Use of accessories that are not listed may cause the risk of personal injury. Instructions for safe use of accessories are included with the accessory.
- **DOUBLE CHECK ALL SETUPS.** Make sure the spindle or sanding belt assembly is tight and not making contact with sander or workpiece before connecting to power supply.

SPECIFIC SAFETY RULES







- **PROTECT YOUR LUNGS.** Wear a face or dust mask if the cutting operation is dusty.
- **PROTECT YOUR HEARING.** Wear hearing protection during extended periods of operation.
- **INSPECT TOOL CORDS PERIODICALLY AND, IF DAMAGED, HAVE REPAIRED AT YOUR NEAREST AUTHORIZED SERVICE CENTER. CONSTANTLY STAY AWARE OF CORD LOCATION.** Following this rule will reduce the risk of electric shock or fire.
- **INSPECT FOR AND REMOVE ALL NAILS FROM LUMBER BEFORE USING THIS TOOL.** Following this rule will reduce the risk of serious personal injury.
- **SAVE THESE INSTRUCTIONS.** Refer to them frequently and use them to instruct others who may use this tool. If you loan someone this tool, loan them these instructions also.
- **SMALL OR THIN WORKPIECES CAN KICKBACK WHEN THEY TIP OVER ON THE TABLES OR INTO THE CUTTER HEAD.** To reduce the risk of cutter head contact or workpiece kickback: Never joint, plane or bevel workpieces shorter than 12 in.
- **WHEN JOINTING** never joint workpieces less than 3/4 in. wide or 1/4 in. thick.
- **ALWAYS USE PUSH BLOCKS/PUSH STICK** when jointing or beveling wood narrower than 3 in.
- **WHEN RABBETING** always make cuts in 1/8 in. increments or less.
- **NEVER PLANE WOOD NARROWER OR THINNER THAN 3/4 IN.**
- **ALWAYS USE PUSH BLOCKS/PUSH STICK** when planing.
- **NEVER** perform any operation “freehand” which means using only your hands to support or guide the workpiece. Always use either the rip fence or miter fence to position and guide the work.
- **MAKE SURE THERE’S NO DEBRIS** between the workpiece and either the fence or table top.
- **ALWAYS USE A STABLE WORK SUPPORT WHEN JOINTING OR PLANING LONG WORKPIECES.** Never use another person as additional support or to help feed, support or pull the workpiece in any operation.
- **NEVER CUT** more than one workpiece at a time.
- **NEVER TURN YOUR JOINTER/PLANER “ON”** before clearing everything except the workpiece and related support devices off the table.
- **AVOID AWKWARD OPERATIONS AND HAND POSITIONS** where a sudden slip could cause your hand to move into the cutter head. Never pass either hand over the cutter head during any operation.
- **IF THE POWER SUPPLY CORD IS DAMAGED,** it must be replaced only by the manufacturer or by an authorized service center to avoid risk.
- **SAVE THESE INSTRUCTIONS.** Refer to them frequently and use to instruct other users. If you loan someone this tool, loan them these instructions also.

SYMBOLS

The following signal words and meanings are intended to explain the levels of risk associated with this product.

SYMBOL	SIGNAL	MEANING
	DANGER:	Indicates a hazardous situation, which, if not avoided, will result in death or serious injury.
	WARNING:	Indicates a hazardous situation, which, if not avoided, could result in death or serious injury.
	CAUTION:	Indicates a hazardous situation, that, if not avoided, may result in minor or moderate injury.
	NOTICE:	(Without Safety Alert Symbol) Indicates information considered important, but not related to a potential injury (e.g. messages relating to property damage).

Some of the following symbols may be used on this tool. Please study them and learn their meaning. Proper interpretation of these symbols will allow you to operate the tool better and safer.

SYMBOL	NAME	DESIGNATION/EXPLANATION
	Safety Alert	Indicates a potential personal injury hazard.
	Read Operator's Manual	To reduce the risk of injury, user must read and understand operator's manual before using this product.
	Eye Protection	Always wear eye protection with side shields marked to comply with ANSI Z87.1.
	No Hands Symbol	Failure to keep your hands away from the blade will result in serious personal injury.
	Wet Conditions Alert	Do not expose to rain or use in damp locations.
V	Volts	Voltage
A	Amperes	Current
Hz	Hertz	Frequency (cycles per second)
min	Minutes	Time
~	Alternating Current	Type of current
n_0	No Load Speed	Rotational speed, at no load
	Class II Construction	Double-insulated construction
.../min	Per Minute	Revolutions, strokes, surface speed, orbits, etc., per minute

ELECTRICAL

EXTENSION CORDS

Use only 3-wire extension cords that have 3-prong grounding plugs and 3-pole receptacles that accept the tool's plug. When using a power tool at a considerable distance from the power source, use an extension cord heavy enough to carry the current that the tool will draw. An undersized extension cord will cause a drop in line voltage, resulting in a loss of power and causing the motor to overheat. Use the chart provided below to determine the minimum wire size required in an extension cord. Only round jacketed cords listed by Underwriter's Laboratories (UL) should be used.

**Ampere rating (on tool faceplate)

Cord Length	Wire Size (A.W.G.)					
	0-2.0	2.1-3.4	3.5-5.0	5.1-7.0	7.1-12.0	12.1-16.0
25'	16	16	16	16	14	14
50'	16	16	16	14	14	12
100'	16	16	14	12	10	—

**Used on 12 gauge - 20 amp circuit.

NOTE: AWG = American Wire Gauge

When working with the tool outdoors, use an extension cord that is designed for outside use. This is indicated by the letters "W-A" or "W" on the cord's jacket.

Before using an extension cord, inspect it for loose or exposed wires and cut or worn insulation.

WARNING:

Keep the extension cord clear of the working area. Position the cord so that it will not get caught on lumber, tools or other obstructions while you are working with a power tool. Failure to do so can result in serious personal injury.

WARNING:

Check extension cords before each use. If damaged replace immediately. Never use product with a damaged cord since touching the damaged area could cause electrical shock resulting in serious injury.

ELECTRICAL CONNECTION

This product is powered by a precision built electric motor. It should be connected to a **power supply that is 120 V, AC only (normal household current), 60 Hz.** Do not operate this product on direct current (DC). A substantial voltage drop will cause a loss of power and the motor will overheat. If the saw does not operate when plugged into an outlet, double check the power supply.

SPEED AND WIRING

The no-load speed of this tool is approximately 3,450 rpm. This speed is not constant and decreases under a load or with lower voltage. For voltage, the wiring in a shop is as important as the motor's horsepower rating. A line intended only for lights cannot properly carry a power tool motor. Wire that is heavy enough for a short distance will be too light for a greater distance. A line that can support one power tool may not be able to support two or three tools.

GROUNDING INSTRUCTIONS

This product must be grounded. In the event of a malfunction or breakdown, grounding provides a path of least resistance for electric current to reduce the risk of electric shock. This tool is equipped with an electric cord having an equipment-grounding conductor and a grounding plug. The plug must be plugged into a matching outlet that is properly installed and grounded in accordance with all local codes and ordinances.

Do not modify the plug provided. If it will not fit the outlet, have the proper outlet installed by a qualified electrician.

WARNING:

Improper connection of the grounding plug can result in a risk of electric shock. When repair or replacement of the cord is required, do not connect the grounding wire to either flat blade terminal. The wire with insulation having an outer surface that is green with or without yellow stripes is the grounding wire.

Check with a qualified electrician or service personnel if the grounding instructions are not completely understood, or if in doubt as to whether the tool is properly grounded.

Repair or replace a damaged or worn cord immediately.

This product is for use on a nominal 120 volt circuit and has a grounding plug similar to the plug illustrated in figure 1. Only connect the product to an outlet having the same configuration as the plug. Do not use an adapter with this product.

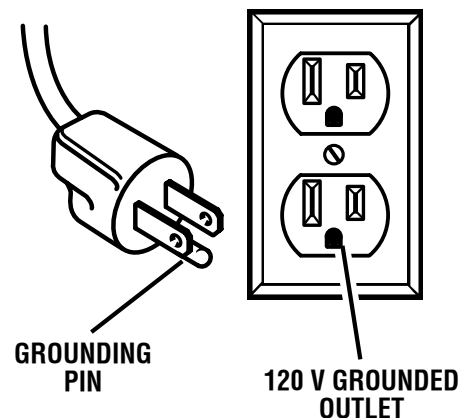


Fig. 1

ELECTRICAL

CHANGING MOTOR VOLTAGE

See Figures 2 - 5.

⚠ WARNING:

Electric shock can kill. To reduce the risk of serious personal injury, never connect plug to power source until all assembly steps are completed.

NOTE: The jointer/planer is prewired at the factory for 120 volts, 60 Hz. Use the following procedures to change motor voltage from 120 volts to 240 volts.

- Unplug the jointer/planer.
- Located on the side of the motor is the junction box. Remove the phillips screw at the back of the junction box then lift off the cover.
- Remove and discard the electrical tape from the wire connectors. Remove wire connectors.
- Reconnect the leads.
- Reinstall the wire connectors and wrap each wire with two layers of new UL listed electrical tape.
- Recheck your wiring with the wiring diagrams.
- Reinstall the junction box cover using the phillips screw.
- Cut off the 120 volt power cord plug and replace it with a 3-prong 240 volt, 15 amp. UL listed plug.
- Connect the power cord white and black leads, respectively, to the "hot" plug blade terminals. Connect the power cord green grounding wire to the plug ground prong terminal.
- Plug your jointer/planer into a 220-240 volt, 15 amp., 3-prong receptacle.
- Make certain the receptacle is connected to a 240 volt, AC power supply through a 240 volt branch circuit having at least a 15 amp capacity and protected by a 15 amp time-delay fuse or circuit breaker.

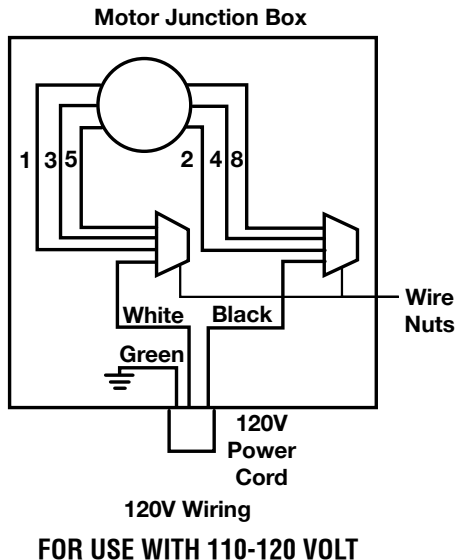


Fig. 2

⚠ WARNING:

To prevent possible electrical hazards including electrocution or death, have a qualified electrician check the line if you are not certain that it is properly wired.

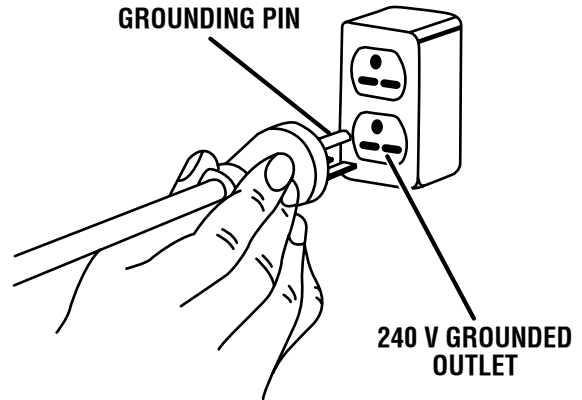


Fig. 3

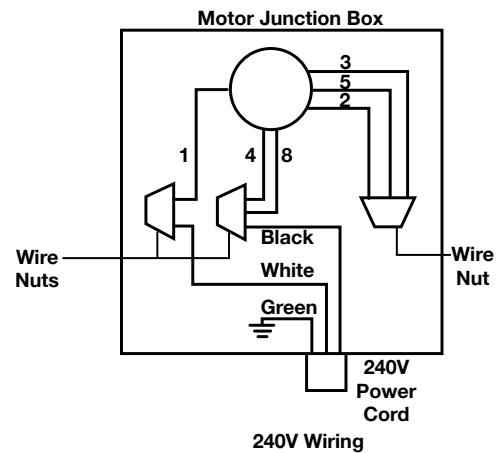


Fig. 4

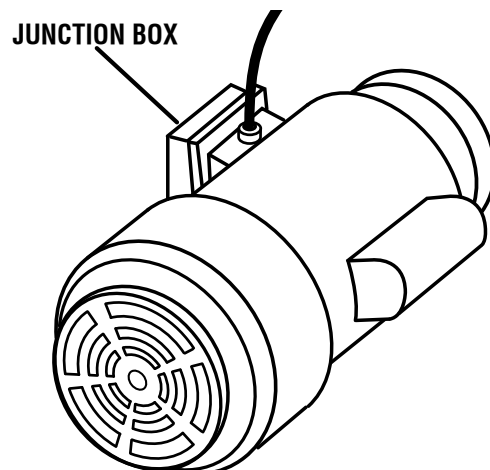


Fig. 5

GLOSSARY OF TERMS

Anti-Kickback Pawls (radial arm and table saws)

A device which, when properly installed and maintained, is designed to stop the workpiece from being kicked back toward the front of the saw during a ripping operation.

Arbor

The shaft on which a blade or cutting tool is mounted.

Bevel Cut

A cutting operation made with the blade at any angle other than 90° to the table surface.

Compound Cut

A cross cut made with both a miter and a bevel angle.

Cross Cut

A cutting or shaping operation made across the grain or the width of the workpiece.

Cutterhead (planers and jointer planers)

A rotating cutterhead with adjustable blades or knives. The blades or knives remove material from the workpiece.

Dado Cut

A non-through cut which produces a square-sided notch or trough in the workpiece (requires a special blade).

Featherboard

A device used to help control the workpiece by holding it securely against the table or fence during any ripping operation.

FPM or SPM

Feet per minute (or strokes per minute), used in reference to blade movement.

Freehand

Performing a cut without the workpiece being guided by a fence, miter gauge, or other aids.

Gum

A sticky, sap-based residue from wood products.

Heel

Alignment of the blade to the fence.

Kerf

The material removed by the blade in a through cut or the slot produced by the blade in a non-through or partial cut.

Kickback

A hazard that can occur when the blade binds or stalls, throwing the workpiece back toward operator.

Miter Cut

A cutting operation made with the workpiece at any angle to the blade other than 90°.

Non-Through Cuts

Any cutting operation where the blade does not extend completely through the thickness of the workpiece.

Pilot Hole (drill presses)

A small hole drilled in a workpiece that serves as a guide for drilling large holes accurately.

Push Blocks (for jointer planers)

Device used to feed the workpiece over the jointer planer cutterhead during any operation. This aid helps keep the operator's hands well away from the cutterhead.

Push Blocks (for table saws)

Device used to hold the workpiece during cutting operations. This aid helps keep the operator's hands well away from the blade.

Push Sticks (for table saws)

Device used to push the workpiece during cutting operations. A push stick should be used for narrow ripping operations. The aid helps keep the operator's hands well away from the blade.

Resaw

A cutting operation to reduce the thickness of the workpiece to make thinner pieces.

Resin

A sticky, sap-based substance that has hardened.

Revolutions Per Minute (RPM)

The number of turns completed by a spinning object in one minute.

Ripping or Rip Cut

A cutting operation along the length of the workpiece.

Riving Knife/Spreader/Splitter (table saws)

A metal piece, slightly thinner than the blade, which helps keep the kerf open and also helps to prevent kickback.

Saw Blade Path

The area over, under, behind, or in front of the blade. As it applies to the workpiece, that area which will be or has been cut by the blade.

Set

The distance that the tip of the saw blade tooth is bent (or set) outward from the face of the blade.

Snipe (planers)

Depression made at either end of a workpiece by cutter blades when the workpiece is not properly supported.

Taper Cut

A cut where the material being cut has a different width at the beginning of the cut from the the end.

Through Sawing

Any cutting operation where the blade extends completely through the thickness of the workpiece.

Throw-Back

The throwing back of a workpiece usually caused by the workpiece being dropped into the blade or being placed inadvertently in contact with the blade.

Workpiece or Material

The item on which the operation is being done.

Worktable

Surface where the workpiece rests while performing a cutting, drilling, planing, or sanding operation.

FEATURES

PRODUCT SPECIFICATIONS

Motor..... 1 HP Induction
 Phase..... Single
 Rotation of Shaft Counterclockwise
 No Load Speed 3,450 r/min. (RPM)
 Cuts Per Minute 10,350/CPM

Cutter Head 3 Knives
 Input 120 V, AC only, 60 Hz, 12 Amps
 240 V, AC only, 60 Hz, 6 Amps
 Net Weight 208 lbs.

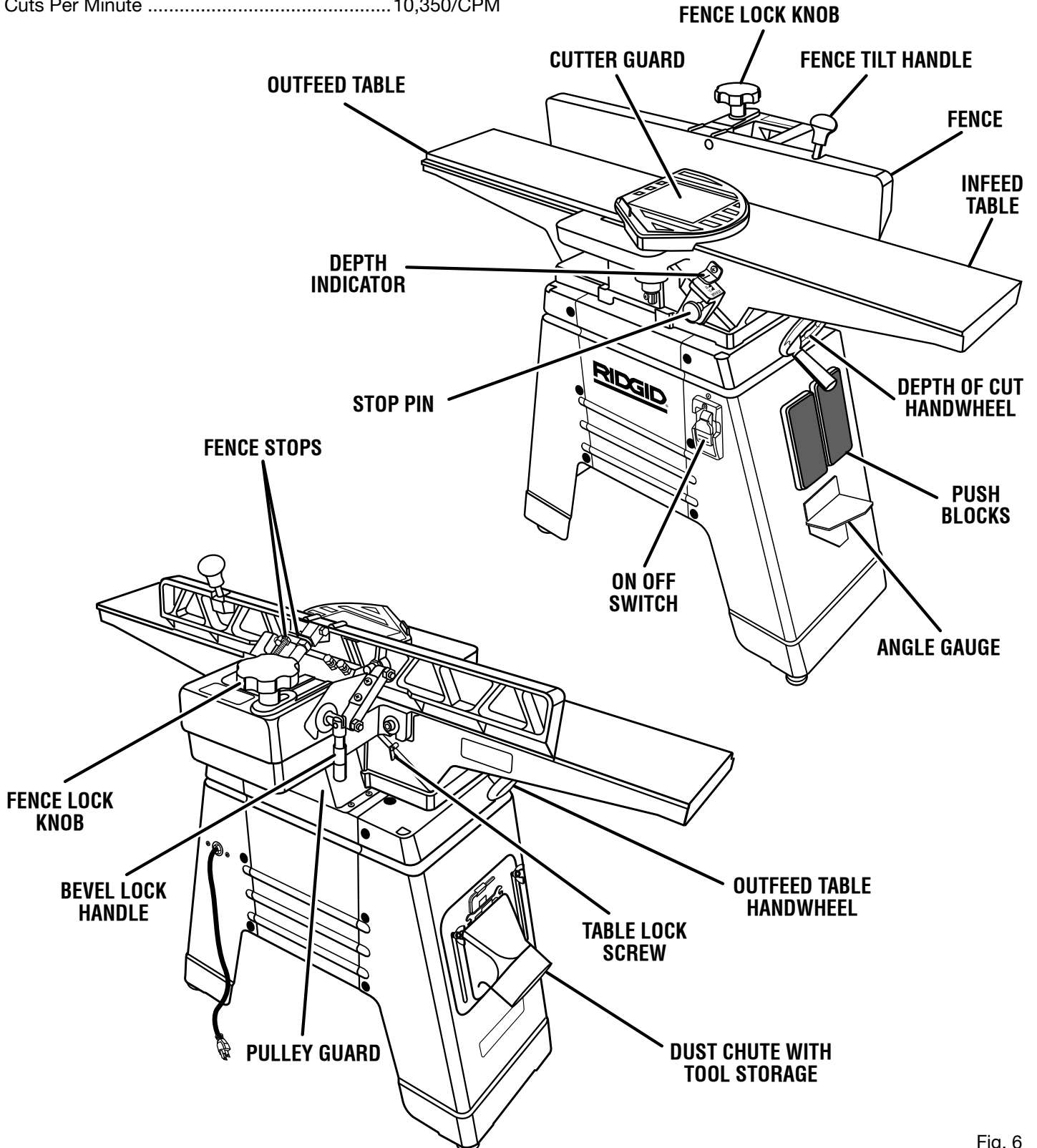


Fig. 6

FEATURES

KNOW YOUR JOINTER/PLANER

See Figure 6.

The safe use of this product requires an understanding of the information on the tool and in this operator's manual as well as a knowledge of the project you are attempting. Before use of this product, familiarize yourself with all operating features and safety rules.

DUST CHUTE WITH TOOL STORAGE

Allows 4 in. diameter dust collection hose. Easily slides up and out of the way when a vacuum is not connected. Also tool storage for knife adjustment wrenches.

OUTFEED TABLE

The section of a jointer bed which supports the workpiece after it passes over the cutter.

FENCE LOCK KNOB

Allows fence to move across table front to back. This is done to achieve full width of cut or to use a different (sharper) part of cutter knives.

PULLEY GUARD

Protects user from incidental access to the motor belt and pulley.

TABLE LOCK SCREW

Use these screws to lock infeed or outfeed table at a desired height.

DEPTH OF CUT HANDWHEEL

By turning the handwheel you can control how much wood will be removed from the workpiece on each cut.

90° AND 135° FENCE STOPS

When adjusted properly, these stops provide a method for quickly moving the fence to a 90° or 135° position from the table.

FENCE TILT HANDLE

Assists in positioning the fence to various bevel angles.

FENCE

Guides workpiece over cutter head.

BEVEL LOCK HANDLE

Secures the fence at the desired bevel setting.

INFEED TABLE

The section of the jointer bed upon which the workpiece is placed before being pushed into the cutter. Its height is adjustable which allows the operator to select the depth of cut.

CUTTER GUARD

Helps protect the operator from the sharp knives on the cutter head. It is spring loaded so it automatically keeps the cutter head covered before, during, and after a cutting operation. It must always be used.

STOP PIN

For rabbeting operations up to 1/2 in. deep, stop pin can be pulled out to lower infeed table in 1/8 in. increments.

ANGLE GAUGE

Used to set the fence at the desired bevel angle.

ON/OFF SWITCH

Turns the tool on and off. When the key is inserted in the switch lever, the power may be turned ON (I) and OFF (O). When it is removed, the power cannot be turned ON. This feature is intended to help prevent any unauthorized use.

TOOLS NEEDED

The following tools (not included) are needed for making adjustments or installing the knives:

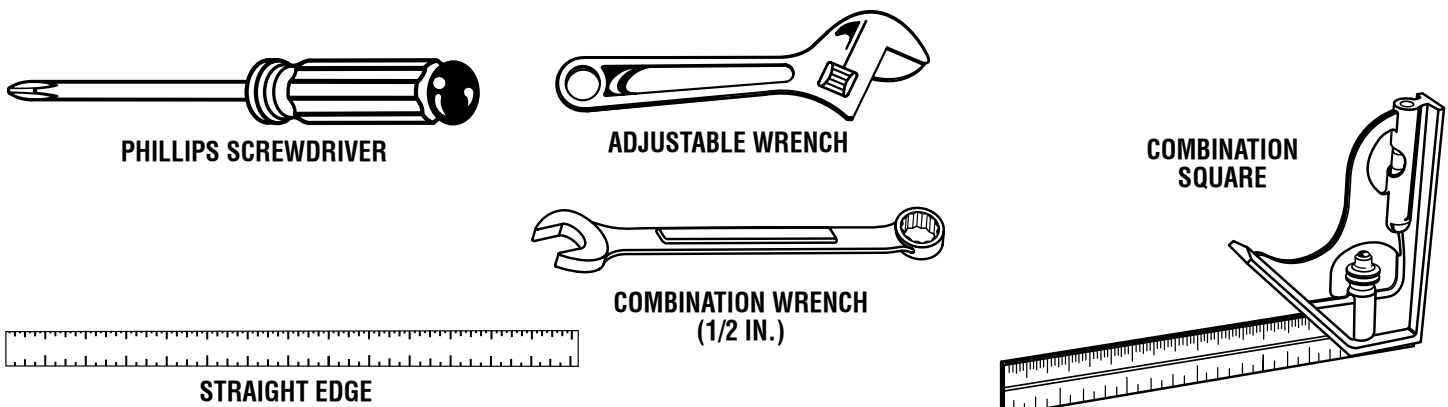


Fig. 7

LOOSE PARTS

The following items are included with your tool:

- | | | | |
|-----------------------------------|---|-----------------------------------|---|
| 1. Motor and Switch Assembly..... | 1 | 7. Front Panel | 1 |
| 2. Jointer Bed Assembly..... | 1 | 8. Right Side Panel | 1 |
| 3. Motor Mount Bracket | 1 | 9. Left Side Panel..... | 1 |
| 4. Fence Assembly | 1 | Operator's Manual (Not shown) | |
| 5. Dust Chute..... | 1 | Hardware Blister Pack (Not shown) | |
| 6. Rear Panel | 1 | | |

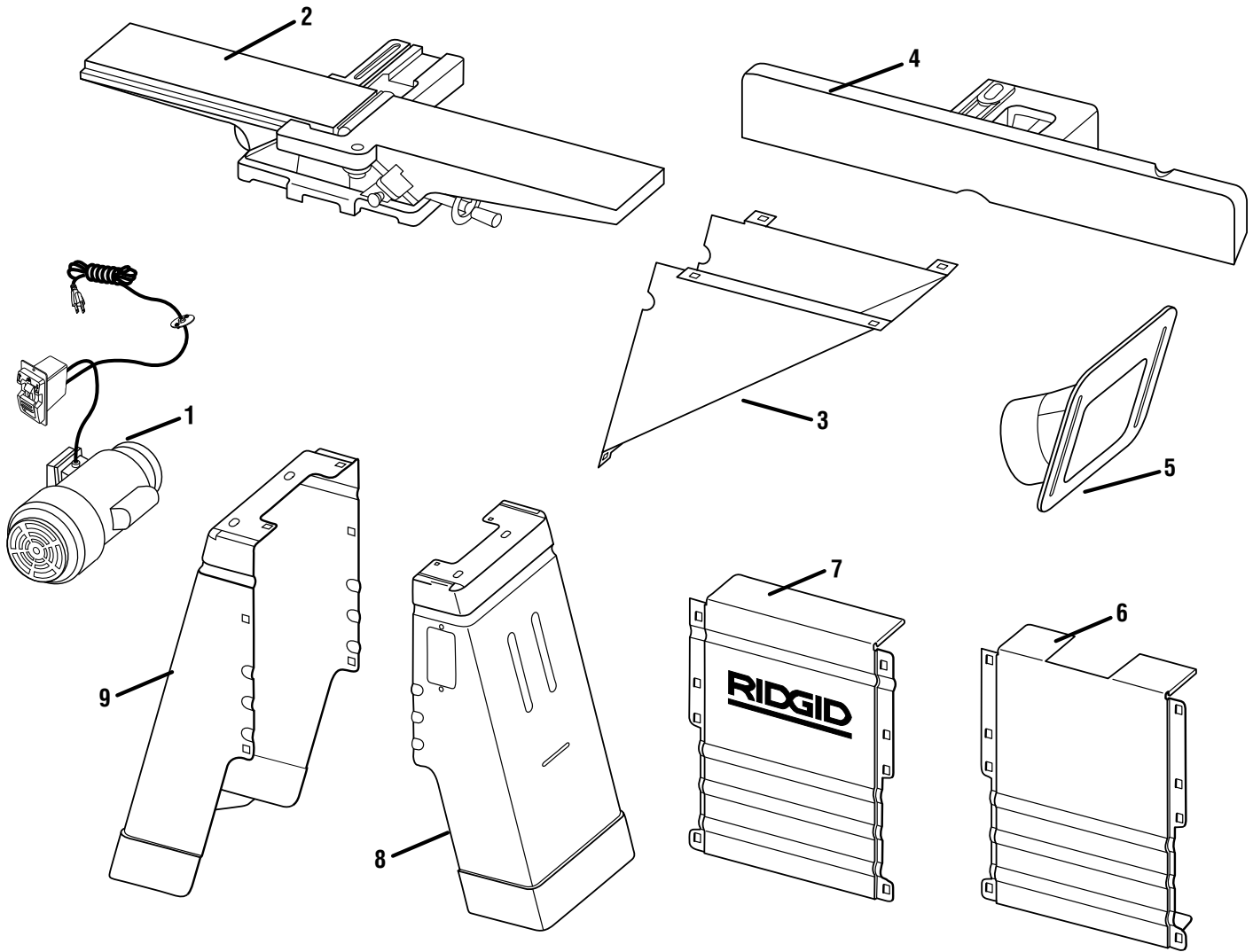


Fig. 8

LOOSE PARTS

The following items are included with your tool:

- | | | | |
|-----------------------|---|---------------------------|---|
| 1. Pulley Guard | 1 | 6. Fence Tilt Handle..... | 1 |
| 2. V-Belt | 1 | 7. Fence Lock Knob..... | 1 |
| 3. Angle Gauge | 1 | 8. Handwheel..... | 1 |
| 4. Cutter Guard..... | 1 | | |
| 5. Push Blocks..... | 2 | | |

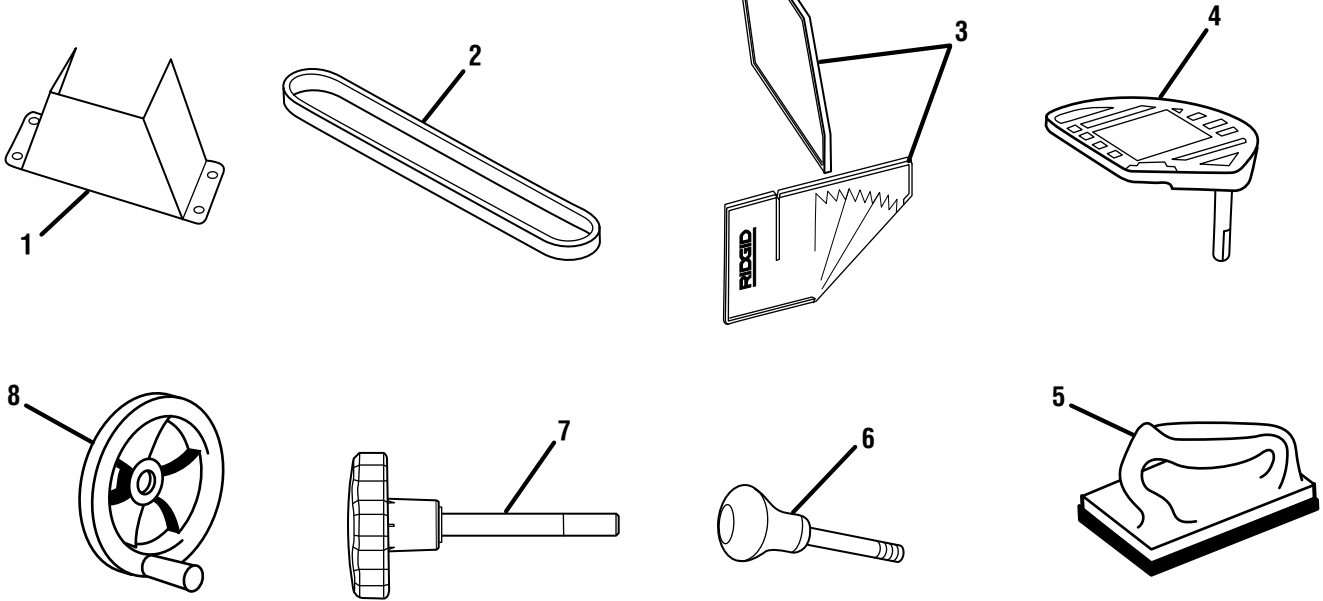


Fig. 9

ASSEMBLY

UNPACKING

This product requires assembly.

- Carefully lift jointer/planer from the carton by the base, and place it on a level work surface.

WARNING:

Do not use this product if any parts on the Loose Parts List are already assembled to your product when you unpack it. Parts on this list are not assembled to the product by the manufacturer and require customer installation. Use of a product that may have been improperly assembled could result in serious personal injury.

WARNING:

This tool is heavy. To avoid back injury, lift with your legs, not your back, and get help when needed.

- Inspect the tool carefully to make sure no breakage or damage occurred during shipping.
- Do not discard the packing material until you have carefully inspected and satisfactorily operated the tool.
- If any parts are damaged or missing, please call 1-866-539-1710 for assistance.

WARNING:

If any parts are missing, do not operate this tool until the missing parts are replaced. Failure to do so could result in possible serious personal injury.

WARNING:

Do not attempt to modify this tool or create accessories not recommended for use with this tool. Any such alteration or modification is misuse and could result in a hazardous condition leading to possible serious personal injury.

ASSEMBLY

WARNING:

Do not connect to power supply until assembly is complete. Failure to comply could result in accidental starting and possible serious personal injury.

ASSEMBLING SIDE PANELS AND MOTOR MOUNT

See Figures 10 - 11.

- Locate the following:
 - Carriage Head Bolts, 5/16-18 x 1/2 in.....6
 - Serrated Flange Hex Nut, 5/16 in.6
 - Left Panel Side.....1
 - Right Panel Side1
 - Motor Mount.....1

- Mount the motor mount onto the left side panel as shown. Make sure the lower tab of the motor mount with two holes is on the inside of the left side panel. Bolt the motor mount to the panel using the 5/16 in. carriage head bolts and 5/16 in. serrated flange nuts. Tighten the nuts with a wrench.

NOTE: Make sure that the tabs of the motor mount panel are on top of the left side panel tabs.

- Mount the right side panel to the motor mount as shown using 5/16 in. carriage head bolts and 5/16 in. serrated flange nuts. Tighten the nuts with a wrench.

ASSEMBLING FRONT PANEL

See Figure 12.

- Locate the following:
 - Carriage Head Bolts, 5/16-18 x 1/2 in.....6
 - Serrated Flange Hex Nuts, 5/16 in.6
 - Front panel with RIDGID logo.....1

NOTE: Tabs on front panel must be on the inside of side panel prior to securing with nuts and bolts.

- Bolt the front panel in place as shown using 5/16 in. carriage head bolts and 5/16 in. serrated flange nuts. Make sure the front panel is mounted on the same side of the base as the switch opening. The panel should bolt in place on the backside of the left and right side panels as shown. Tighten the nuts with a wrench.

- Tighten all bolts on the base at this time.

NOTE: It may be easier to tighten the bolt holding the front panel on if the base is turned upside down. The rear panel will be mounted later.

NOTE: Holes marked "A" on both front and rear panels are not used for assembly.

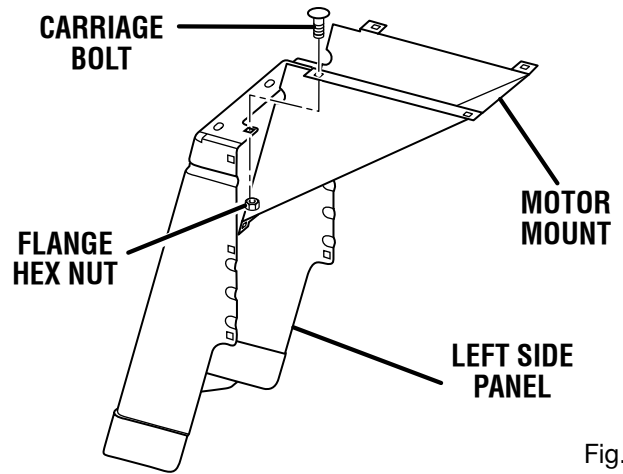


Fig. 10

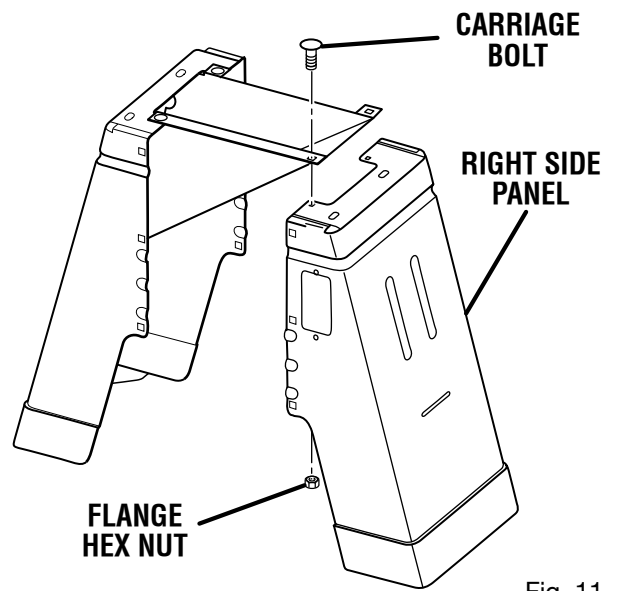


Fig. 11

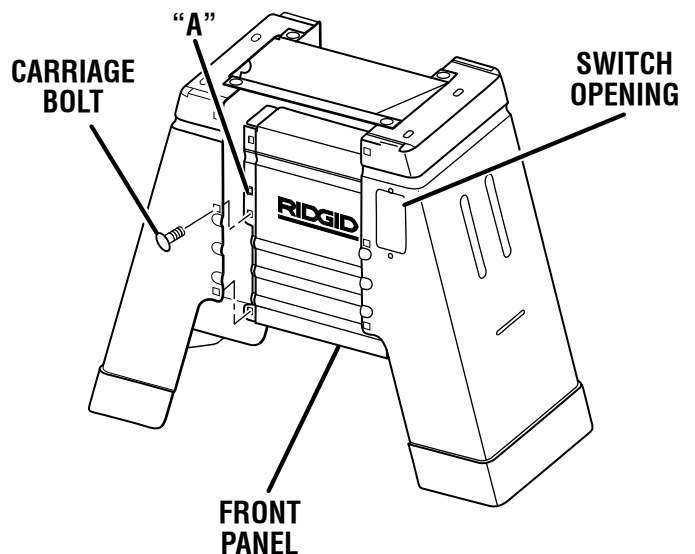


Fig. 12

ASSEMBLY

ASSEMBLING THE LEVELING FEET

See Figure 13.

- Turn the base upside down.
- Locate the following:

Rubber Leveling Feet	4
Flat Washer, 3/8 in.	8
Hex Nut, 3/8 in.	8
- Thread a 3/8 in. nut onto each of the leveling feet until the nut is 1/2 in. from the foot. Do this for all four feet.
- Attach the leveling feet as shown. Place a 3/8 in. washer on the bottom side of the foot mount tab and a washer on top. Bolt the feet in place with the other 3/8 in. nut. Tighten the nuts down with a wrench.

NOTE: Once the jointer is in its permanent location the leveling feet may need to be adjusted.

ADJUSTING THE LEVELING FEET

Move the jointer/planer to the location where it will reside during use.

To level the cabinet, loosen the nut and adjust leveling feet up or down as needed. Adjust all four leveling feet if necessary and then retighten the nut.

NOTE: These levelers are not intended for height adjustment, only leveling adjustment.

MOUNTING THE MOTOR

See Figure 14.

- Turn the cabinet upside down and place one 4 x 4 block under the right side of the cabinet so the base is tilted as shown. This will elevate the motor mount so it is level with the floor making assembly easier.
- Locate the following:

Carriage Head Bolts, 5/16-18 x 1/2 in.	4
Serrated Flange Hex Nuts, 5/16 in.	4
Motor and Switch Assembly.....	1

NOTE: This motor is heavy; additional help may be needed to secure nuts and bolts in place.

- Place the motor on the motor mount as shown. Make sure the motor shaft faces the rear of the cabinet (away from the side with RIDGID label).
- Bolt the motor to the motor mount using the 5/16 in. carriage head bolts and 5/16 in. serrated flange hex nuts. The bolts should be placed through the motor mount into the motor bracket as shown. Do not tighten the nuts at this time.

NOTE: Do not assemble the switch at this time or thread cord through cabinet.

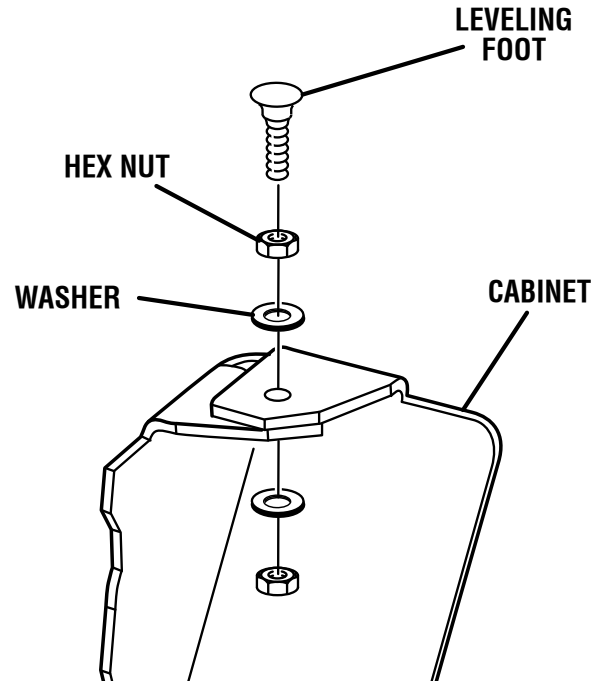


Fig. 13

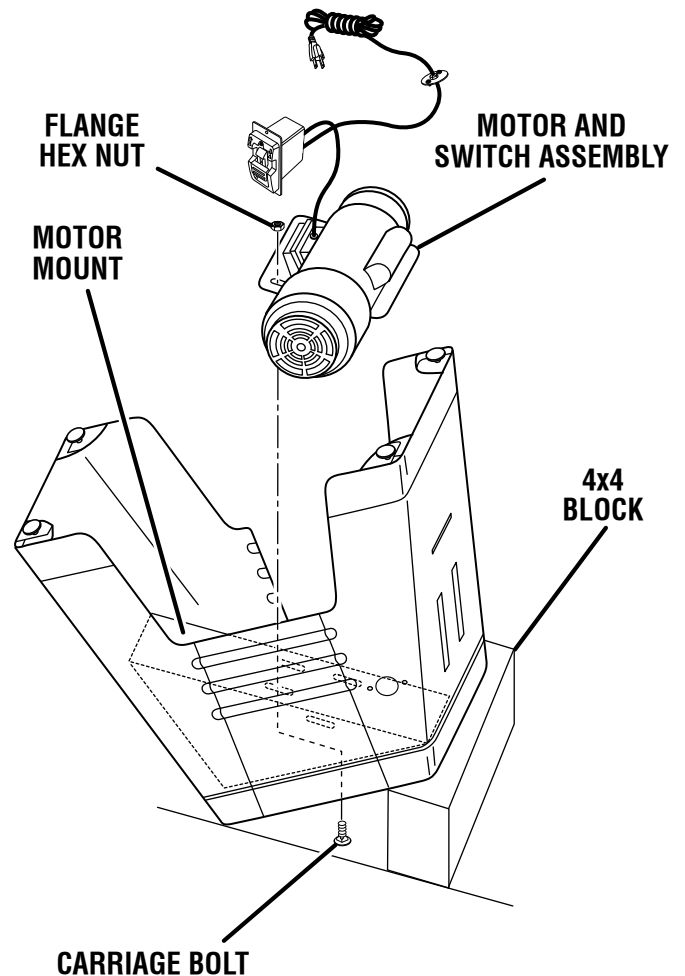


Fig. 14

ASSEMBLY

ASSEMBLING JOINTER TABLE TO CABINET

See Figures 15 - 16.

WARNING:

This tool is heavy. To avoid back injury, lift with your legs, not your back, and get help when needed.

- With help place the bed assembly upside down on two blocks as shown.
- Place the cabinet on top of the bed assembly as shown.
- Locate the following:
Serrated Hex Head Bolts, 3/8-16 x 3/4 in.3
- Line up the holes in jointer table with the holes in the cabinet.
- Bolt the jointer table to the cabinet using hex head bolts and tighten all the bolts. To access third bolt, reach into dust collection port on left side.

ASSEMBLING SWITCH

See Figure 17.

- Switch Key.....1
- Screws, 3/16 in.....2

- Using 3/16 in. screws, mount the switch into place as shown. Make sure the switch is right side up.
- Install switch key into switch.

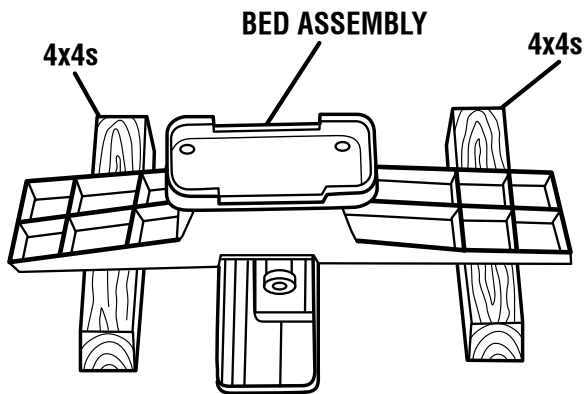


Fig. 1

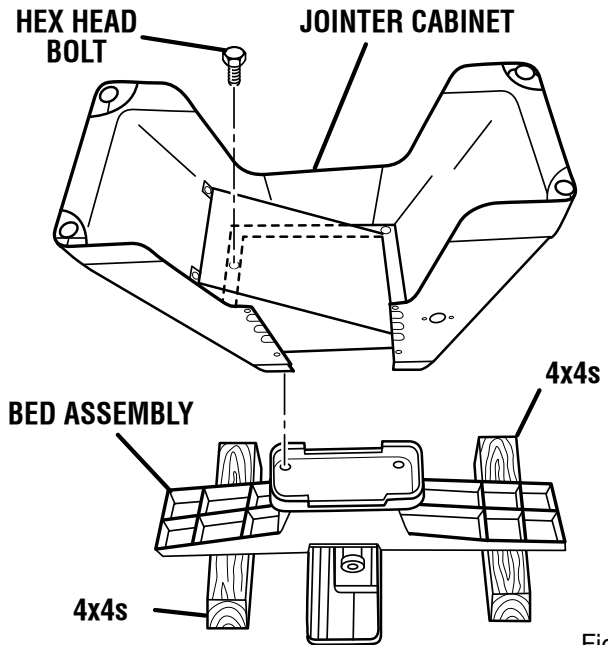


Fig. 16

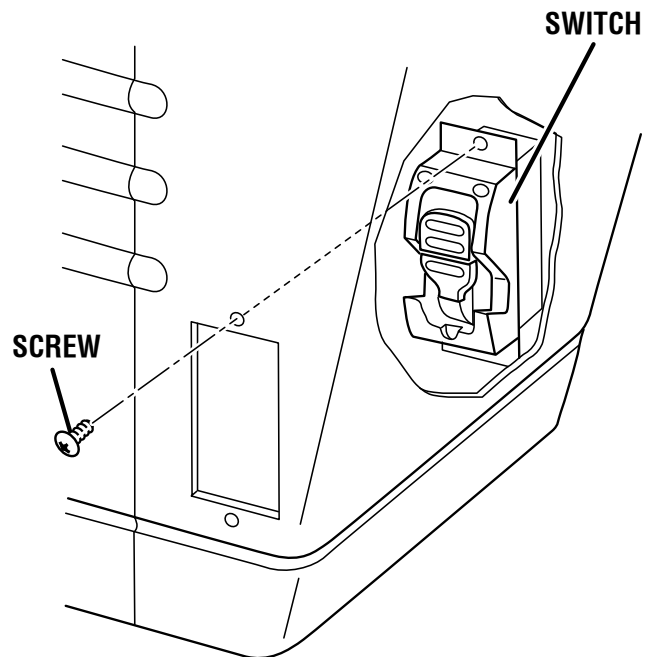


Fig. 17

ASSEMBLY

ASSEMBLING REAR PANEL

See Figure 18.

- Locate the following:
Carriage Head Bolts, 5/16-18 x 1/2 in. 6
Hex Nuts Serrated Flange, 5/16 in. 6
Rear Cabinet Panel..... 1
- NOTE:** Tabs on rear panel must be on the inside of side panels prior to securing with nuts and bolts.
- Position the rear panel in place from the bottom of the cabinet as shown. Bolt in place using 5/16 in. carriage head bolts and 5/16 in. flange nuts. Make sure the rear panel's tabs are on the inside of the cabinet. Tighten the nuts.
- Thread the power cord through the hole in the rear of the cabinet.
- Remove the screws and washers from the cable plate.
- Thread the power cord through the hole from the inside of the cabinet until the cord plate reaches the cabinet.
- Reinstall the washers and screws from the outside of the cabinet with the cord plate flush against the inside of cabinet. Retighten screws.
- NOTE:** Securely tighten all cabinet nuts and bolts as well as jointer table mounting bolts at this time.

ASSEMBLING AND TENSIONING BELT

See Figure 19.

- Locate the V-belt.
- Slip the V-belt over both the motor and cutter head pulleys.
- While the jointer is still upside down, slide the motor up the motor mount to put tension on the V-belt. This will require assistance. Once the V-belt has been tensioned, tighten the motor bolts. The V-belt should have approximately 1 in. deflection (the measurement of how much you can push in on one side of the V-belt).
- NOTE:** An alternate method for tensioning the V-belt is to turn the unit upright, letting the motor slide down in the slots and allowing the weight of the motor only to tension the V-belt.
- Visually check the front to back alignment of the pulleys and adjust the motor as needed.

ASSEMBLING THE PULLEY GUARD

See Figure 20.

- Locate the following:
Cross Serrated Pan Head Screws,
3/16-24 x 3/8 in. 4
Pulley guard..... 1
- With assistance, set the jointer upright.

WARNING:

This tool is heavy. To avoid back injury, lift with your legs, not your back, and get help when needed.

- Mount the pulley guard in place as shown using 3/16 in. screws.

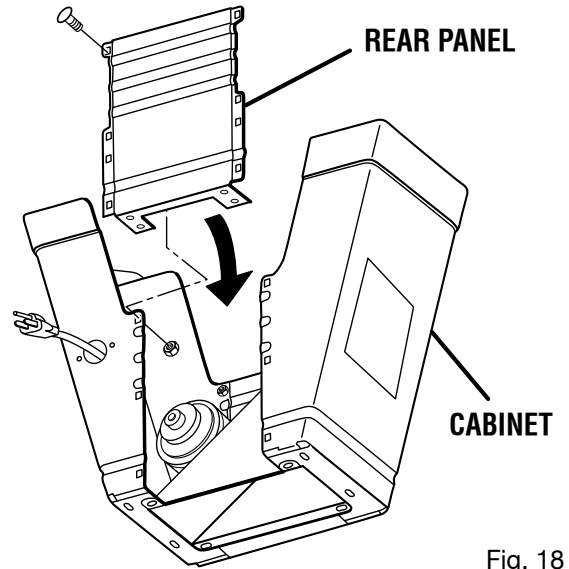


Fig. 18

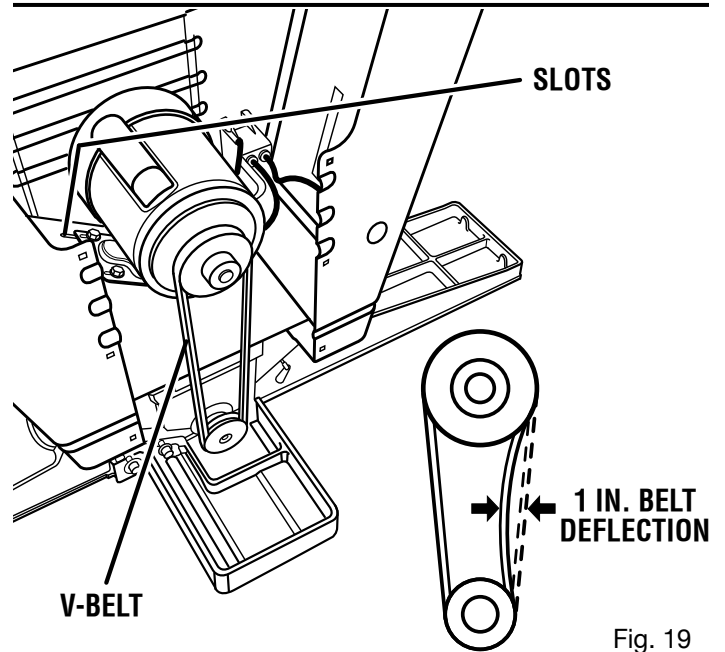


Fig. 19

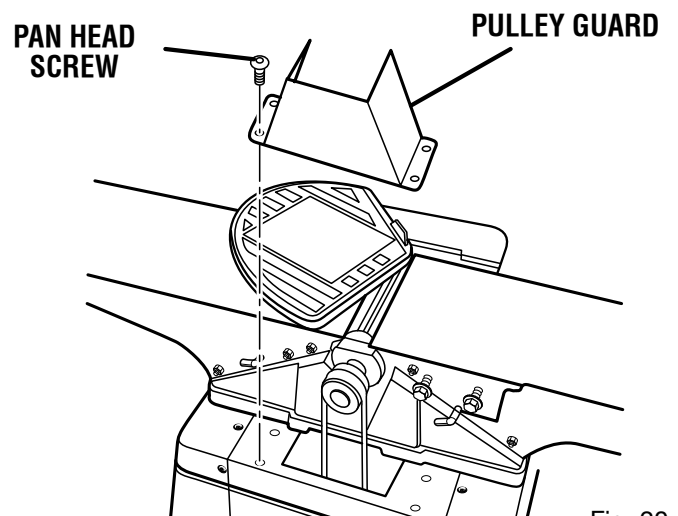


Fig. 20

ASSEMBLY

ASSEMBLING HANDWHEEL

See Figure 21.

- Locate the following:
Pan Head Screw with Washer, 1/4-20 x 5/8 in. 1
Handwheel..... 1
- Slip the handwheel onto the infeed table elevation shaft and install the pan head screw with washer as shown.

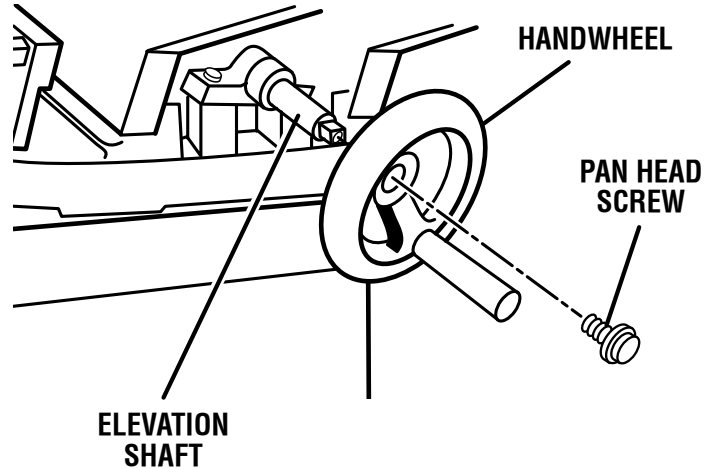


Fig. 21

ASSEMBLING DUST CHUTE

See Figure 22.

- Locate the following:
Sawdust Chute 1
Wing Screws, 1/4-20 x 1/2 in. 2
Wrench Box, 8mm/10mm..... 1
Hex Key, 3mm 1
- Slide the tab on the bottom side of the dust chute into the slot just below the chute on the left side of the base. Fasten the dust chute on with wing screws through the slots on both sides of the dust chute.
- The hex key and open end wrench (supplied with the jointer) used for knife adjustments, can be conveniently stored in the dust chute as shown.

NOTE: If a dust collection system is not in use, simply loosen the wing screws, lift the bottom of the chute up, out, and then slide the dust chute up and retighten the wing screws.

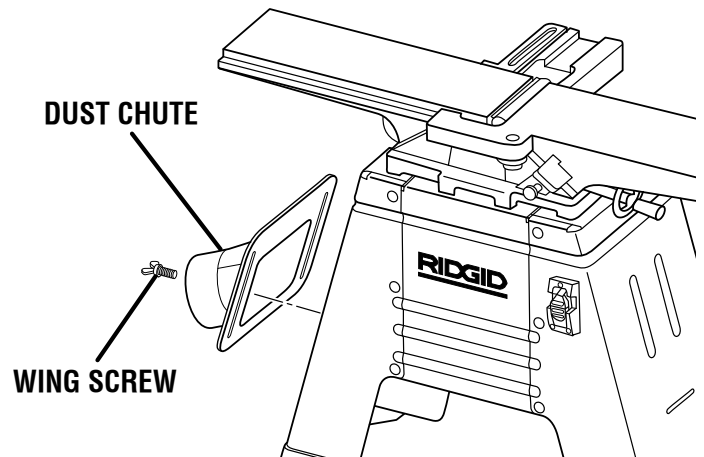


Fig. 22

ASSEMBLING FENCE ASSEMBLY TO BED ASSEMBLY

See Figure 23.

- Locate the following:
Washer, 1/2 in. 1
T-Nut 1
Fence Assembly 1
Fence Lock Knob..... 1
Fence Tilt Knob..... 1

NOTE: While installing the fence, the two ribs on top of the fence indicate where the cutter head opening is located in the table.

NOTE: While installing fence to table, do not remove the protective cutter guard covering.

- Position fence onto fence support as shown, making sure the keyway in fence assembly lines up with the key on the fence mount.
- Once fence is in place, slide the fence lock knob through the 1/2 in. washer and then through the fence assembly and fence mount. Thread T-nut onto the end of the lock knob. Make sure the tabs on the nut sit in the slot on the fence mount.
- **NOTE:** Tabs on T-nut must be positioned upwards so they fit in slot.
- Slide the fence back and fourth to make sure it moves freely. Then lock in place.
- Thread the fence tilt knob into the fence.

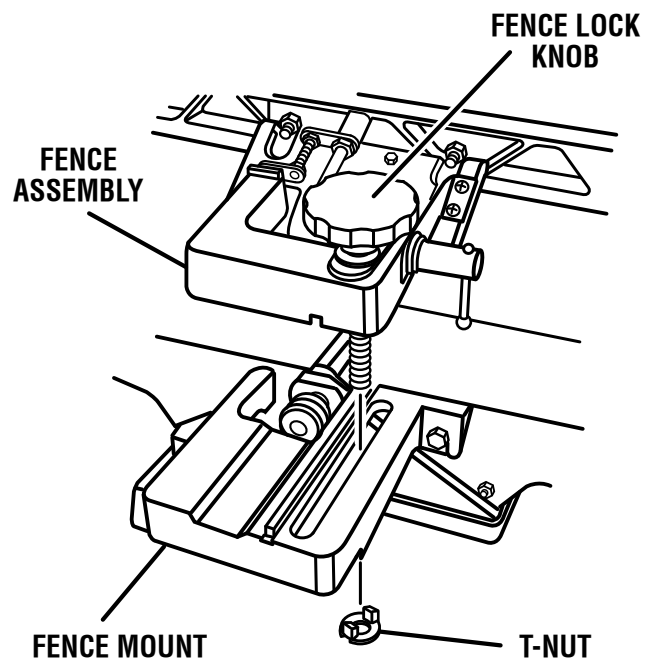


Fig. 23

ASSEMBLY

ASSEMBLING CUTTER GUARD

See Figure 24.

- Locate the following:
Cutter Guard Assembly 1
- Remove the pan head screw from the bottom of the cutter head guard post.
- Turn the spring-loaded knob one turn counterclockwise, while looking down through the hole in the infeed table.
- While looking down through the hole in the infeed table, align the slot in the guard post with the spring in the knob. Slide the post through infeed table and over the spring in the knob.

NOTE: The cutter guard stop post limits the amount of cutter guard travel. Never modify the stop post or remove cutter guard before any operation.

- Reinstall the pan head screw in the bottom of the guard post.

CUTTER GUARD FUNCTIONAL CHECK

With the power off, check the guard to make sure it is functioning properly.

WARNING:

Cutter guard helps provide protection over the cutter head. It must always be in place and functioning properly to avoid injury from contact with the cutter head.

- Position the fence to the rear of the bed for maximum width of cut. Do not position fence beyond rear edge of cutter knives.
- Pass a 1/4 in. thick piece of wood over the cutter head between the guard and the fence.

The guard must return automatically to a “rest position” against the fence when free of the wood. If guard does not return quickly, adjust the guard spring, as described in the adjustments section.

CUTTER GUARD STOP POST

The cutter guard stop post is designed to limit the outward swing of the cutter head guard. If the stop post does not stop the outward swing of the guard, the post is inserted too deeply. Tap the cutter guard stop post from up under the table with a punch or nail set. Tap the post slightly to adjust for proper clearance and function.

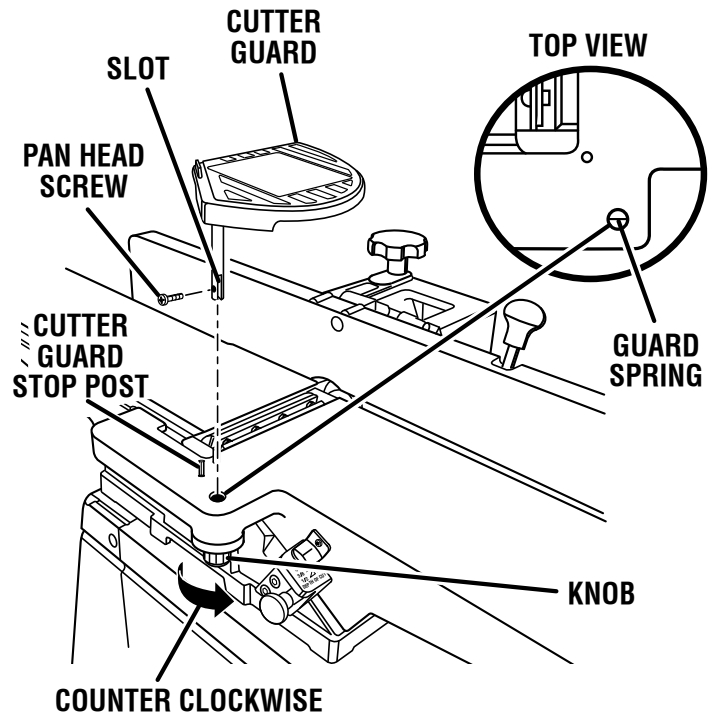


Fig. 24

OPERATION

WARNING:

Do not allow familiarity with tools to make you careless. Remember that a careless fraction of a second is sufficient to inflict serious injury.

WARNING:

Always wear eye protection with side shields marked to comply with ANSI Z87.1. Failure to do so could result in objects being thrown into your eyes, resulting in possible serious injury.

WARNING:

Do not use any attachments or accessories not recommended by the manufacturer of this tool. The use of attachments or accessories not recommended can result in serious personal injury.

APPLICATIONS

You may use this tool for the purposes listed below:

- This jointer/planer is intended to be used on wood only
- Jointing/Planing
- Rabbeting
- Beveling/Chamfering

BASIC OPERATION OF THE JOINTER/PLANER

The jointer/planer allows the operator to make long, even passes. It is used on the long thin edges of boards that will be joined edge to edge. This smoothing process eliminates possible spaces between the two boards when they are placed side by side. Use this tool to prepare and finish cut stock for more precise project work. Wood is sized or smoothed by being passed along a rotating cutter head. The jointer flattens boards that are slightly warped and squares edges of lumber. The planer is used to smooth surfaces or reduce wood faces.

CAUSES OF KICKBACK

Kickback can occur when the workpiece is not properly fed into the cutter head, kicking the workpiece back toward you with great force and speed. If your hands are near the knives, they may be jerked loose from the workpiece and may contact the cutter head. Kickback can cause serious injury, and it is well worth using precautions to avoid the risks.

- Making a cut with excessive depth of cut
- Performing operations into knots or nails in the workpiece
- Twisting the wood while making a cut
- Failing to support work
- Forcing a cut
- Cutting warped or wet lumber

- Wrong way feed
- Not following correct operating procedures
- Cutting with dull, gummed-up, or improperly set knives.

AVOIDING KICKBACK

- Use push blocks or push sticks whenever possible.
- Always support long workpieces.
- Always hold your workpiece firmly with both hands or with push sticks or push blocks. Keep your body in a balanced position to be ready to resist kickback should it occur. Never stand directly in line with the cutter head.
- Always use clean, sharp, and properly-set knives. Never make cuts with dull knives.
- Support the work properly before beginning a cut.
- When making a cut, use steady, even pressure. Never force cuts.
- Do not cut wet or warped lumber.
- Adjust the depth of cut to between 1/32 and 1/16 of an inch for best results in most operations. A deep cut makes feeding the wood harder and can cause the wood to kickback. To be sure you will make the depth of cut you planned, always lower the infeed table slightly farther than you wanted then, raise the table to the desired depth.
- Complete the cut without stopping or backing up the workpiece.

LOCKING THE ON/OFF SWITCH

See Figure 25.

- To turn the saw ON (I), lift the switch button.
- To turn saw OFF (O), press the switch button down.
- Remove the switch key from the switch assembly. Store key in a safe place.

BEFORE LEAVING THE JOINTER/PLANER

- Place the switch in the OFF (O) position. Wait until the jointer/planer has come to a full and complete stop.

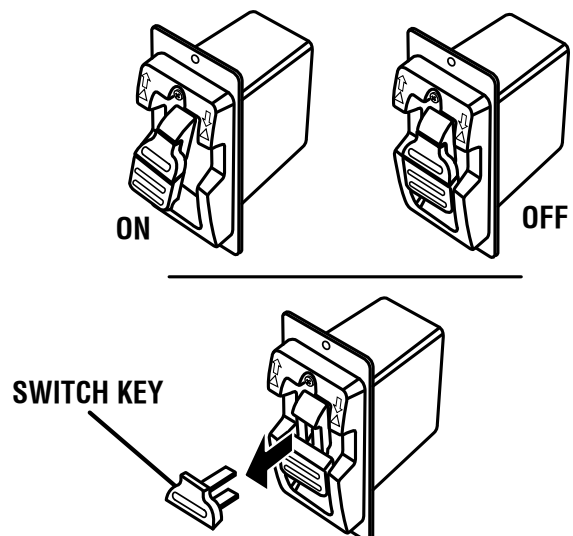


Fig. 25

OPERATION

- Remove the switch key from the switch assembly. Store key in a safe place.
- Unplug the jointer/planer from the power source.
- Make workshop childproof.
- Lock the shop.

USING CUTTING AIDS

See Figure 26.

Push sticks are devices that may be used for pushing a workpiece through the blade in any rip cut. When making non-through cuts or ripping narrow stock, always use a push stick, push block, and/or featherboard so your hands do not come within 3 inches of the saw blade. They can be made in various sizes and shapes from scrap wood and used in a specific project. The stick must be narrower than the workpiece, with a 90° notch in one end and shaping for a grip on the other end.

A push block has a handle fastened by recessed screws from the underside. Use push blocks for narrow cuts and all non-through cuts.

USING THE PUSH BLOCKS/PUSH STICKS

See Figure 27.

Always use the push blocks/push stick whenever possible when jointing or rabbeting wood. Push blocks must be used when planing.

Grasp the push sticks/push blocks firmly with the fingers close together and wrapped around the handle. Position the push blocks/push stick flat on top of workpiece and push the workpiece down against the table. This helps to provide a quality cut and minimize the chance of a kickback.

Hold-down pressure must also be sufficient to prevent push block/push stick from sliding or slipping on the top face of workpiece when advancing workpiece over cutter head.

Use a hand-over-hand motion of the push blocks/push stick, being careful to maintain control over the workpiece at all times. This means that once the workpiece has been fed past the cutter head onto the outfeed table, one push stick/push block must always maintain contact with the workpiece on the outfeed table.

⚠ WARNING:

To prevent any tendency of the push blocks to slip while feeding, clean rubber surface as needed with sandpaper. Any slippage of the push block could result in serious personal injury.

⚠ WARNING:

Never pass either hand over the cutter head during any operation. Failure to heed this warning could result in serious personal injury.

Never plane wood that is thinner than 3/4 in. It is apt to split or shatter and thus has a greater tendency to kickback. Wood thinner than 3/4 in. will slide under the cutter guard and could be trapped.

⚠ WARNING:

Before turning switch ON, make sure the cutter guard is correctly installed and operating properly and the cutter guard stop post is limiting the travel of the cutter guard.

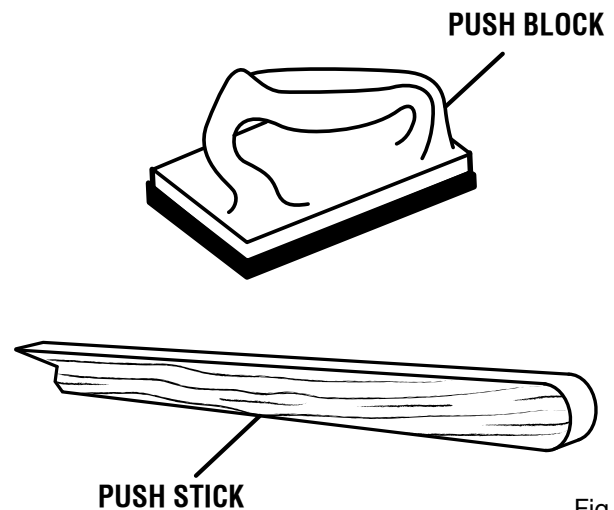


Fig. 26

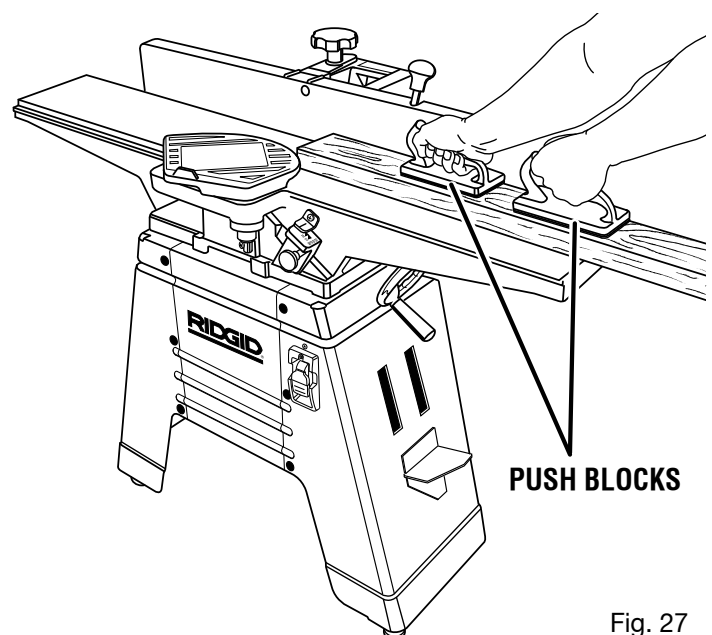


Fig. 27

OPERATION

DEPTH OF CUT HANDWHEEL OPERATION

See Figure 28.

Turning the handwheel clockwise will lower the infeed table. This will cause more wood to be removed from the workpiece during the cutting operation.

Turning the handwheel counterclockwise will raise the infeed table, causing less wood to be removed from the workpiece.

The maximum amount of wood that can be removed during one cut is 1/8 in.

STOP PIN OPERATION

See Figure 29.

A stop pin is supplied to prevent planing or jointing more than 1/8 in. depth of cut. Planing and jointing operations greater than 1/8 in. per pass are not recommended. Rabbiting operations greater than 1/8 in. can be performed by pulling the stop pin out and lowering the infeed table in 1/8 in. increments. The pin automatically resets when you return to the 0 in. to 1/8 in. depth of cut range. Never cut a full 1/2 in. rabbet in one cut. Cut in 1/8 in. depth increments until your full depth is acquired.

WARNING:

To avoid serious personal injury never make a rabbet cut deeper than 1/2 in.

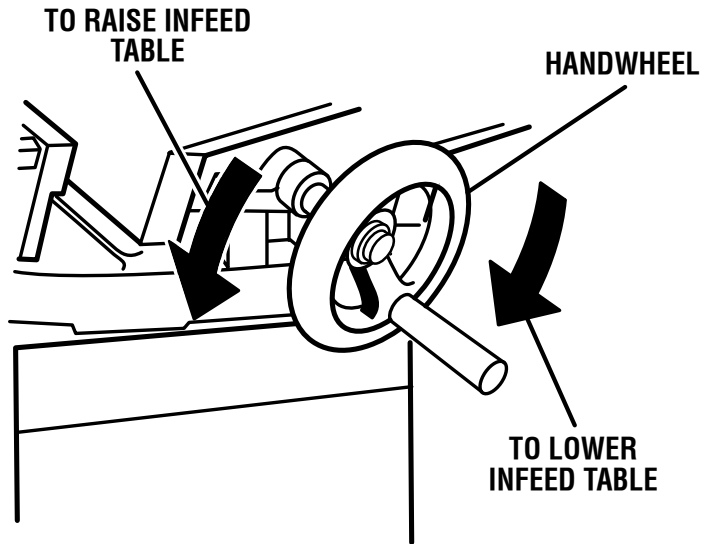


Fig. 28

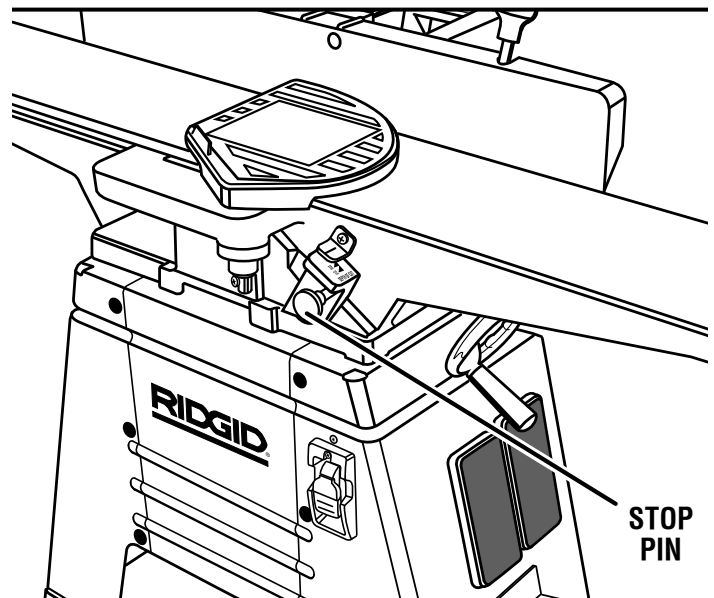


Fig. 29

OPERATION

FEEDING THE WORKPIECE TO PERFORM PLANING OR JOINTING OPERATIONS

See Figures 30 - 31.

Before planing or jointing make sure the knives are properly installed and the lock screws are tight. Make sure the clamps and locks are tight and there is no play in any parts.

WARNING:

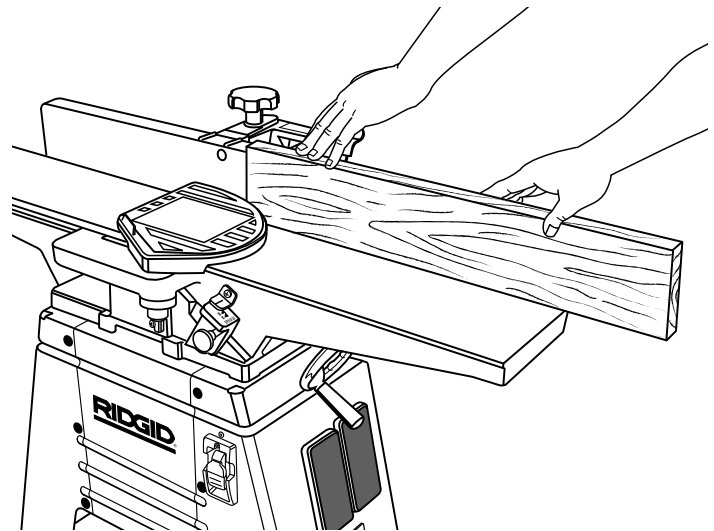
Test for workpiece stability with and without the push blocks before turning the jointer/planer on. Failure to do so could result in kickback of workpiece and could cause serious personal injury.

- Support long workpieces at both infeed table and outfeed table.
- Adjust the depth of cut to between 1/32 in. - 1/16 in. for best results in most operations. A deep cut makes feeding the wood harder and can cause the wood to kickback. To be sure you will make a depth of cut you planned, always lower the infeed table slightly farther than you wanted. Then, raise the table to the desired depth.
- Feed with grain whenever possible. When necessary to feed against grain, take very light cuts and feed slowly to minimize workpiece splintering, breakage or dangerous kickback.
- Keep steady pressure down on workpiece and keep workpiece pressed firmly against fence.
- As leading edge of board passes by cutter head, slightly shift pressure to above cutter head and outfeed table, away from infeed table. Keep pressure at outfeed table and near cutter head for remainder of cut.
- Use hand-over-hand motion, releasing forward hand and moving it to rear, to continue feeding workpiece.

NOTE: Plan your hand placement so your fingers will not be anywhere a sudden slip could cause them to slide or fall into the cutter head. When using only one push stick/push block to feed the wood, do not put your other hand on the jointer/planer, workpiece, or push block/push stick.

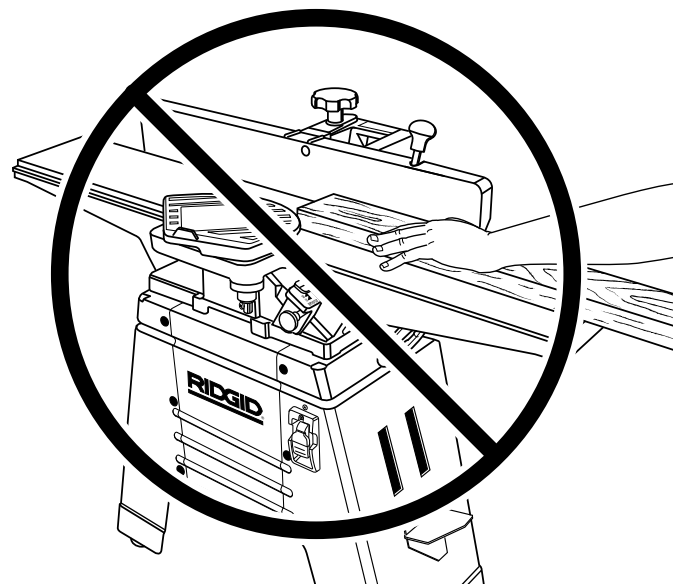
- Feed the board at a continuous rate until the cut is made along the entire length of the board. Any hesitation or stopping could cause a “snipe” on the edge of the board, resulting in an uneven edge as the cut is completed.

NOTE: If it is difficult to maintain steady rate, table or fence may need waxing.



RIGHT

Fig. 30



WRONG

Fig. 31

OPERATION

PLANING

See Figure 32.

Planing is removing wood from the widest surface or face of a board so as to make it flat and smooth.

Planing on a jointer will not necessarily make the face that is planed square or parallel to any other surface. Planing on a jointer only smooths and flattens. If you are planing and jointing a board, the planing operation should be performed first. This allows the jointed edge to be cut square to the face which was previously planed flat and smooth.

JOINTING

See Figure 33.

Jointing is the removal of wood along the edge of a piece of wood so as to make that edge straight, smooth and square to the wood face which is against the fence. To ensure a square cut, the workpiece face must be held flat against the fence throughout the entire cut.

BEVELING/CHAMFERING

See Figure 34.

WARNING:

Always use push blocks when beveling or chamfering. Failure to heed this warning could result in serious personal injury.

- Adjust fence to desired angle. Lock fence in position using fence tilt knob and fence sliding knob.
- Make a test pass to assure you have control of the workpiece.

NOTE: Removing only the corner on the edge of a board is known as chamfering while beveling is removing the corner or the edge of the board down to the board's surface.

Normally a chamfer is made with one cut and only the corner of the wood is cut off. Therefore, a cut deeper than 1/16 in. may be made.

WARNING:

Do not contact the cutting knives or the guard with the push blocks. Failure to heed this warning could result in serious personal injury.

PLANING

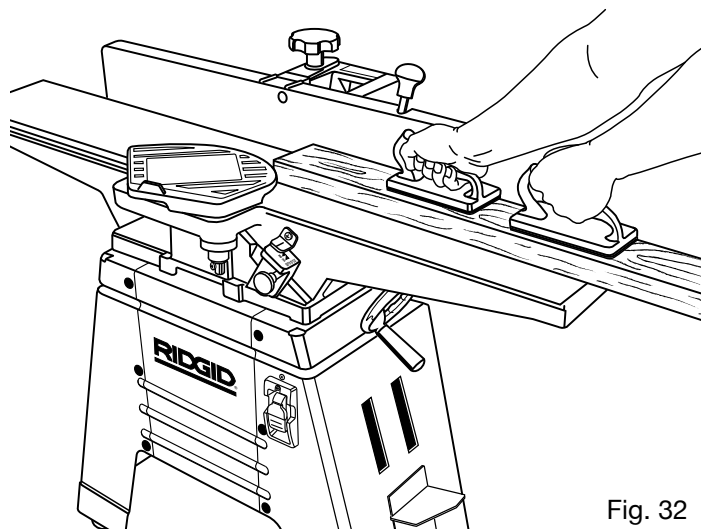


Fig. 32

JOINTING

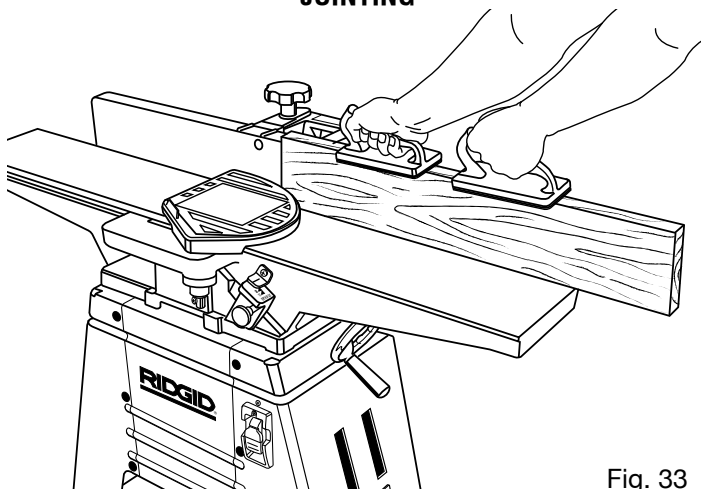


Fig. 33

BEVELING

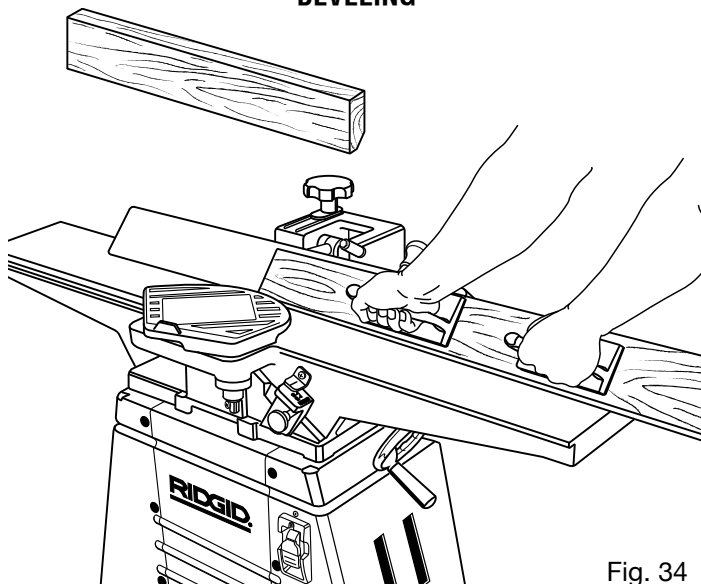


Fig. 34

OPERATION

USING FENCE TILT AND BEVEL STOP

See Figure 35.

⚠ WARNING:

To reduce the risk of injury from accidental start, make sure switch is **OFF (O)** and plug is not connected to power source outlet.

This tool provides bevel stops at 90°, 45°, and 135°.

These bevel stops are set at the factory, but should be checked for squareness.

To check for squareness:

- Place the included angle gauge on the outfeed table and check fence while locked in the 90° position.

NOTE: To ensure accuracy and repeatability of the stops, the bottom of the outfeed side of the fence should rest firmly against the outfeed table and against the head of the stop screw. Make sure that the infeed table does not interfere with the accuracy of measurement.

The infeed table should be lowered to a depth of at least 1/16 in. Using the stops, check the fence for accuracy. If the fence is not square to the outfeed table at 90°, 45°, or 135°, perform the following procedure:

SETTING THE FENCE FOR A 90° BEVEL STOP

See Figure 36.

- Loosen bevel lock handle.
- Make sure fence is tight against the stop and check the angle using the included angle gauge.
- Loosen the jam nut on the 90° stop screw.
- Using the angle gauge, square the fence to the outfeed table and tighten the bevel lock handle.
- Turn the stop screw so it touches the stop. Tighten the jam nut.
- Loosen the bevel lock handle.
- Move the fence to any angle and then return it to the 90° stop. Check for accuracy with angle adjustment gauge.

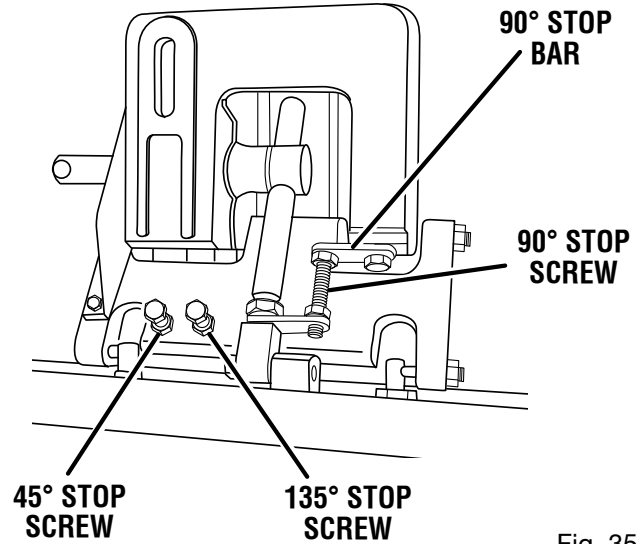


Fig. 35

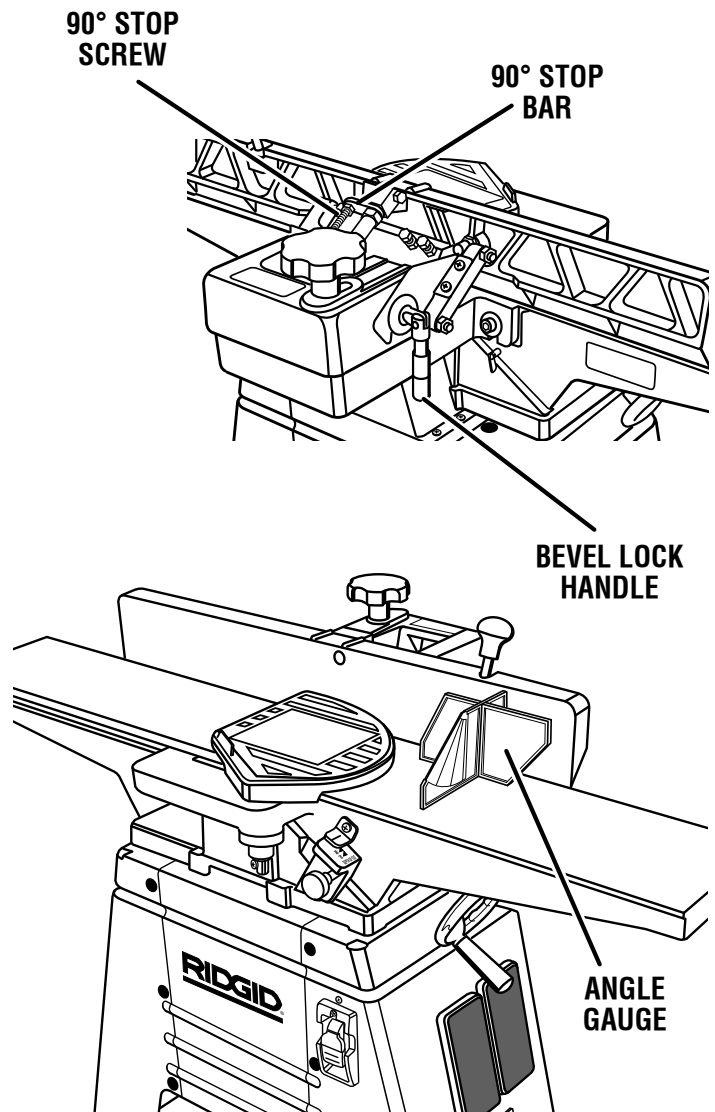


Fig. 36

OPERATION

SETTING THE FENCE FOR A 135° BEVEL STOP

See Figure 37.

- Loosen bevel lock handle.
- Flip the 90° stop bar out of the way and move the fence until it contacts the 135° stop.
- Make sure fence is tight against the stop and check the angle using the included angle gauge.
- Using the angle gauge, set the fence at 135° to the outfeed table and tighten the bevel lock handle.
- Loosen the jam nut on the 135° stop screw.
- Turn the stop screw so it touches the stop. Tighten the jam nut.
- Loosen the bevel lock knob.
- Move the fence to any angle and then return it to the index. Check for accuracy with the angle gauge.

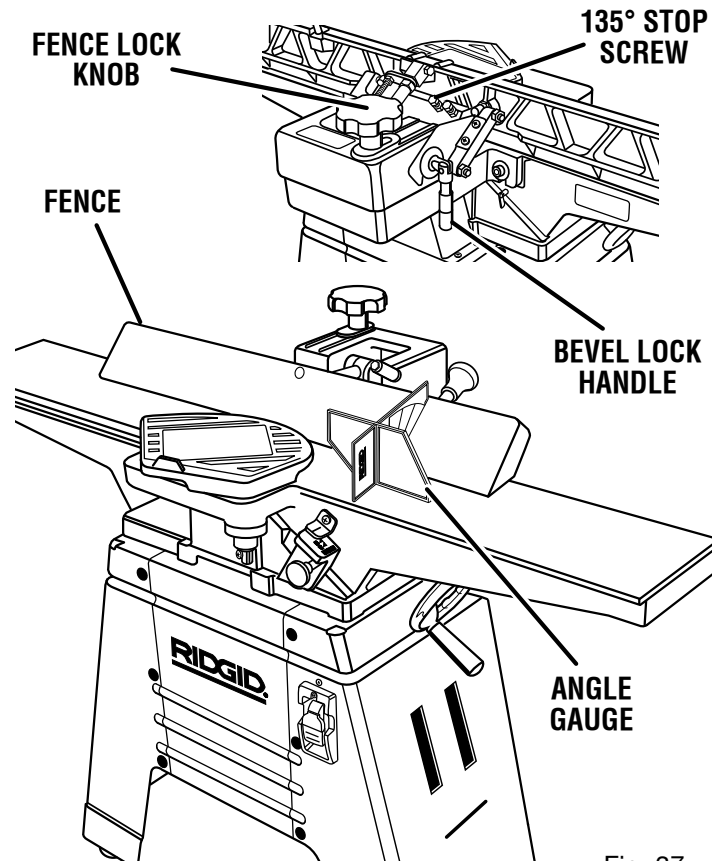


Fig. 37

OPERATION

MAKING A RABBET CUT

See Figure 38.

Rabbeting is very similar to jointing except that only part of the edge is jointed.

WARNING:

Never remove the cutter head guard when performing any operation. Failure to heed this warning could result in serious personal injury.

- Hold the workpiece firmly against the fence. Do not make cuts greater than 1/8 in.
- To make a deeper rabbet, make cuts in 1/8 in. deep increments. Because the workpiece is supported by the outfeed table during a rabbet cut, the infeed table must be lowered after each pass.

SLIDING FENCE OPERATION

See Figure 39.

WARNING:

Moving parts can injure. Turn jointer/planer off and wait for all parts to stop, before adjusting fence. Failure to do so could cause serious personal injury from contact with cutter or other moving parts.

When you are not cutting at full width of cut, the fence can be moved across the jointer/planer to take full advantage of the “sharpness” of the knives.

When knives are new or freshly sharpened the fence should be positioned to the extreme rear of outfeed and infeed tables but not beyond the end of the knives.

Most of the cutting (usually jointing) will be done with the fence in this position. As the knives become dull, the fence can be moved toward the guard where the knives are sharper.

To move the fence, turn jointer/planer off, loosen sliding fence knob, and slide the fence to the desired position.

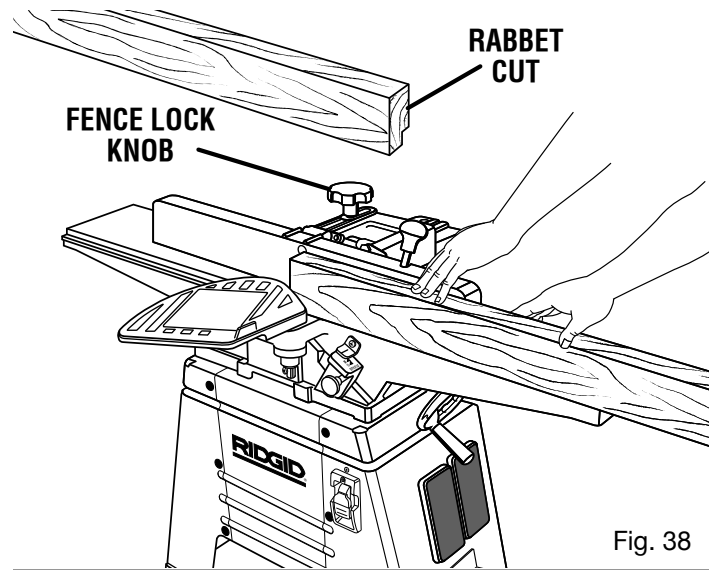


Fig. 38

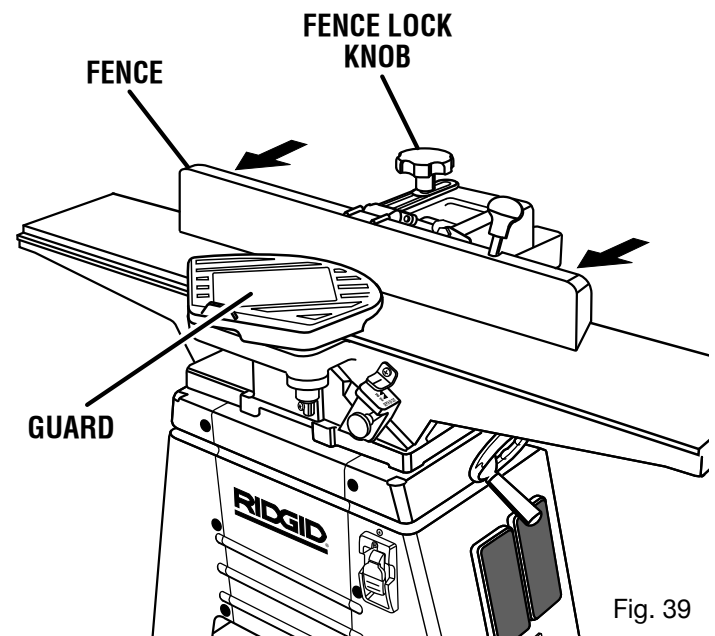


Fig. 39

ADJUSTMENTS

WARNING:

Before performing any adjustment, make sure the tool is unplugged from the power supply and the switch is in the **OFF (O)** position. Failure to heed this warning could result in serious personal injury.

ALIGNING AND ADJUSTING CUTTER KNIVES

See Figures 40 - 41.

The knives are adjusted at the factory, and should not require adjustment. If, after time the knives come out of alignment follow, the steps below to realign.

WARNING:

The cutter knives are extremely sharp. Do not let your hand or fingers touch the cutter knives. Failure to heed this warning could result in serious personal injury.

- Unplug jointer/planer.

Checking Alignment:

- Lower infeed table by turning the depth of the cut hand-wheel clockwise.
- Position the fence to the rear of the jointer, approximately 1/4 in. beyond the end of the cutter knives. Lock the fence in this position.
- Remove cutter head guard.
- Place a straight edge on the outfeed table, extending over the cutter head as shown.
- Adjust the outfeed table so that the straight edge just touches one of the knives as the cutter head is turned. Check one side of the knife, then move the straight edge and check the other side of the knife. If the knife lifts the straight edge or does not touch it, readjust the knife as necessary (see procedure below). Check all three knives this same way.

Knife Adjustment:

- Loosen knife lock screws using the 8mm wrench, turning the wrench toward the fence. Remove all the parts and clean thoroughly with a gum and paste remover. Reinstall parts as shown, making sure the knife extends 1/16 in. past the cutter head as shown.
- Place a straight edge on the outfeed table, extending over the cutter head as shown. Position the straight edge over the end of one of the knives closest to the fence.
- Rotate the cutter head so the knife that is being adjusted is at the highest point.
- Adjust the jackscrew nearest to the straight edge so that the knife just touches the straight edge as the cutter head is rotated and there is no gap between the outfeed table and the straight edge.

- Move the straight edge to the other end of the cutter head and repeat above step with the second jackscrew.
- Tighten the knife lock screws.
- Repeat knife adjustment process for the other two knives.

NOTE: Turn the cutter head two full revolutions to make sure the cutter head turns freely and the knives clear the jointer bed.

- Quickly recheck all three knives with the straight edge to ensure all knives are even and square.

NOTE: Please refer to figure 40 when reinstalling knives.

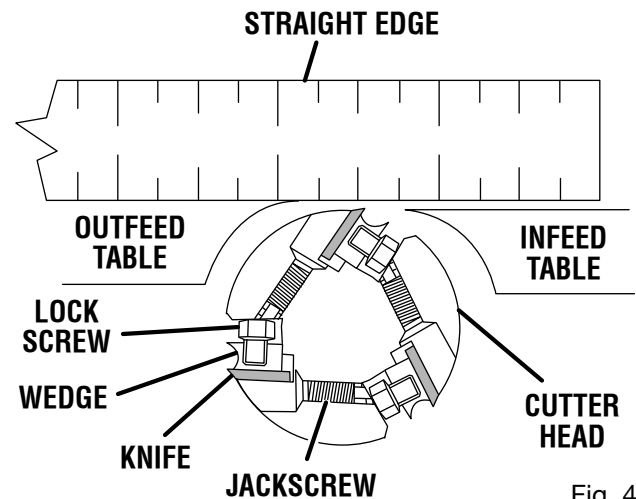


Fig. 40

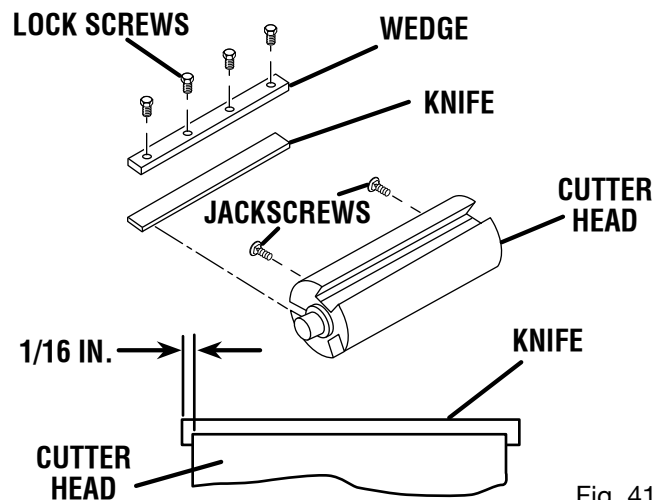


Fig. 41

ADJUSTMENTS

OUTFEED TABLE ADJUSTMENT

To check this alignment proceed as follows:

See Figure 42.

WARNING:

To reduce the risk of injury from accidental start, make sure switch is **OFF (O)** and plug is not connected to power source outlet.

NOTE: The outfeed table is adjusted at the factory and should not require adjustment.

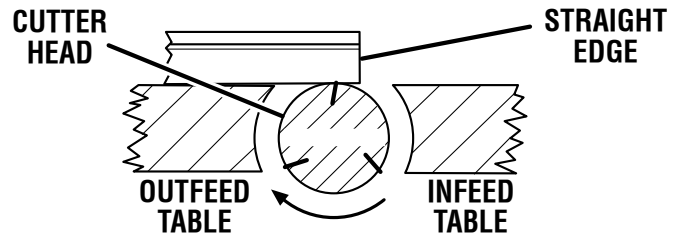
- Place a straight edge on the outfeed table, extending over the cutter head as shown.
- Rotate the cutter head by hand. The knives should just touch the straight edge. If a knife is too low or too high at either end, readjust knife.
- If outfeed table needs adjustment, loosen wing screw table locks. Raise or lower the outfeed table as required by turning the outfeed table knob, until the outfeed table is exactly level with the knives of the cutter head at their highest point of revolution.
- After the outfeed table has been set at the correct height, lock in place using wing screw table locks. It should not be changed except after sharpening knives.
- If the outfeed table is too high, finished surface will be curved as shown.
- When the outfeed table is too low, the work will be gouged at the end of the cut.
- As a final check of the outfeed table adjustment, run a piece of wood slowly over the knives for 6 to 8 in.; it should rest firmly on both tables, as shown, with no open space under the finished cut.

ADJUSTING TABLE GIBS

See Figure 43.

“Gibs” are provided to take up all play between the mating dovetail ways of the base and infeed and outfeed tables of your jointer. Proper gib adjustment is necessary for the correct functioning of the jointer. The gibs on your machine were adjusted at the factory and should require no further adjustment. However, to adjust the gibs, proceed as follows:

- Loosen each of the lock nuts. Make sure the table locks are also loose.
- Finger tighten each set screw in turn, until the screw “bottoms out.” Do not overtighten the screws.
- Recheck table play. If table is still loose, repeat above step. If table is snug, tighten the set screw lock nuts without allowing set screws to turn.
- Check that the table raises and lowers freely with the elevation handwheel. If there is too much resistance, loosen the set screws and repeat adjustment.



CHECKING OUTFEED TABLE ALIGNMENT

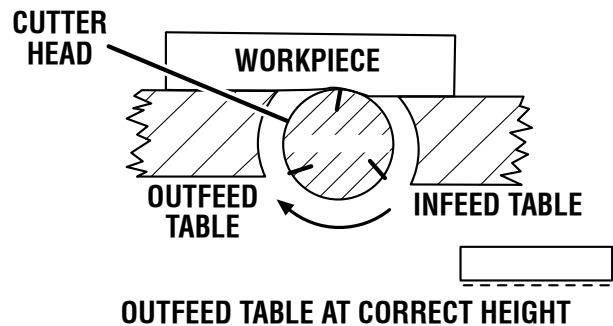
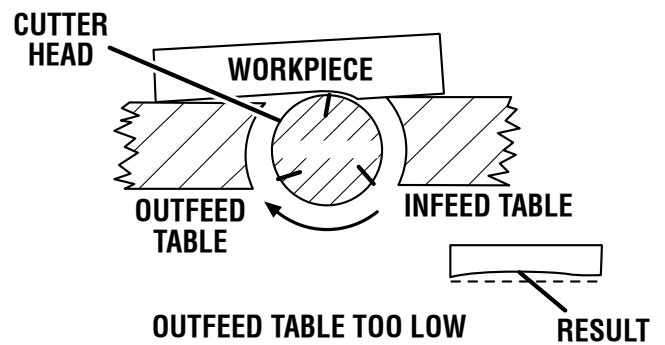
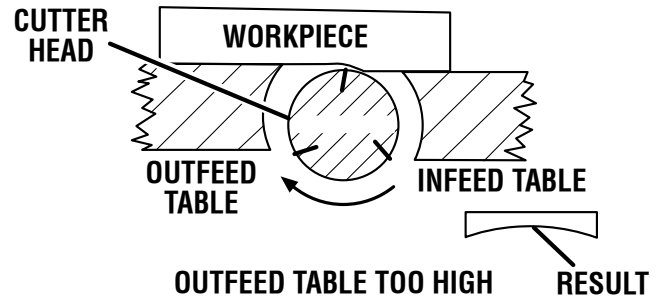
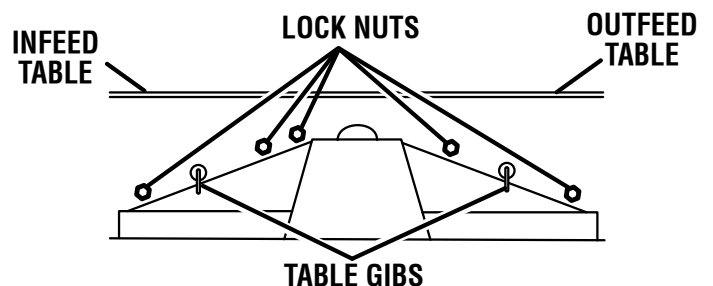


Fig. 42



ADJUSTMENTS LOCATED ON REAR SIDE OF TABLE

Fig. 43

ADJUSTMENTS

USING ANGLE GAUGE

See Figure 44.

An angle gauge is included with the RIDGID jointer to set the fence at the proper angle. To assemble the gauge slide the one side over the other at right angles to each other. The angle gauge has several faces for some of the more common angle settings. These angles include 90°, 45°, 30°, and 22.5°. There is also a 0°-45° protractor on one side to set the gauge to an angle not provided. Simply set the gauge at the end of the fence on the outfeed table as shown and set the angle you need.

ADJUSTING TABLE EXTENSION

See Figure 45.

The table extension is adjusted at the factory and should not require any additional adjustments. In the event that it shifted during shipping, align it to the outfeed table as follows.

- Loosen the hex head screws that attach the extension to the outfeed table.
- Using a straight edge, align the extension to be flush with the outfeed table.
- Tighten the hex head screws and recheck the alignment.

ADJUSTING GUARD SPRING

See Figure 46.

- Remove the pan head screw from bottom of the cutter head guard post.

NOTE: The cutter guard stop post limits the amount of cutter guard travel. Never modify the stop post or remove cutter guard before any operation.

- Remove tension on cutter head guard by turning tension knob clockwise. Pull up on cutter head guard to remove.
- Add tension to the cutter head guard in 1/2 turn increments by turning the tension knob and reinserting the guard post.
- Repeat Cutter Head Guard Functional Check as previously described.

NOTE: Do not overtighten the spring. Overtightening may cause premature spring or guard breakage. If the guard or spring breaks or malfunctions, do not use the tool. Replace the defective parts before the tool is put back in service.

- When the adjustment is complete, reinstall the pan head screw in the bottom of the guard post.

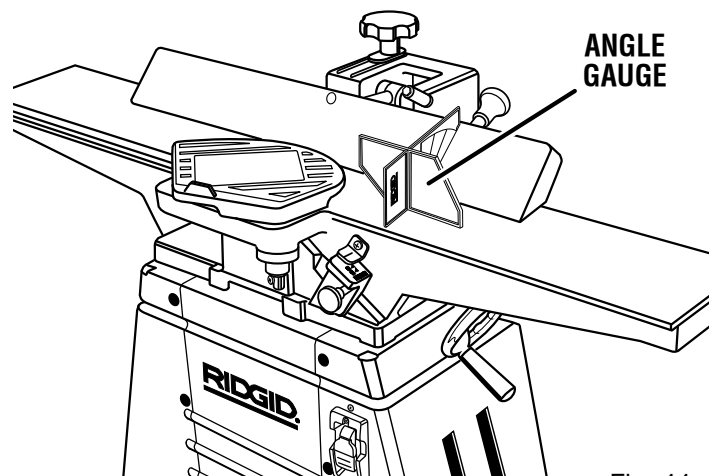


Fig. 44

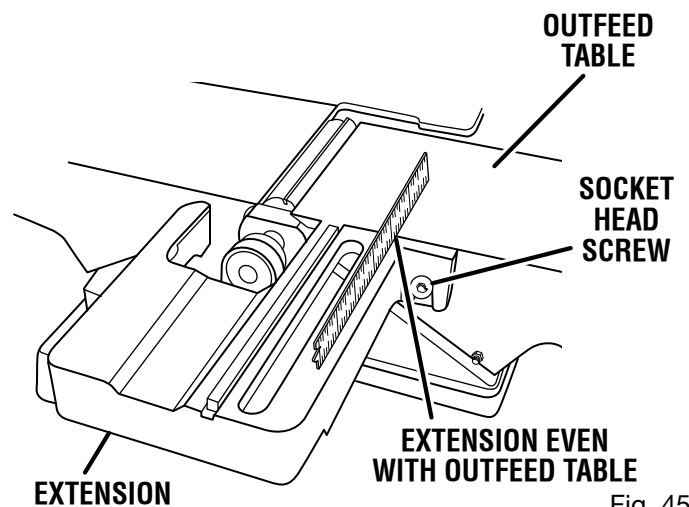


Fig. 45

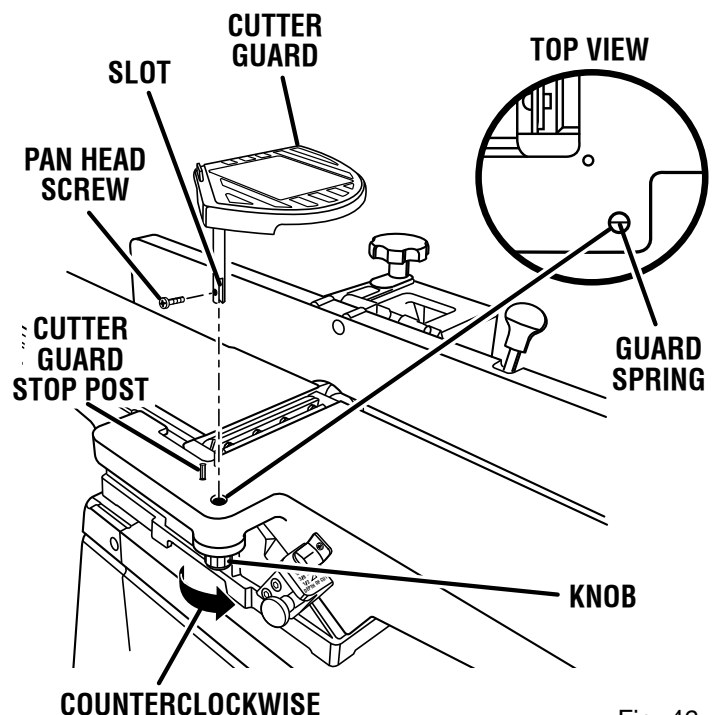


Fig. 46

MAINTENANCE

WARNING:

When servicing, use only identical replacement parts. Use of any other parts could create a hazard or cause product damage.

WARNING:

Always wear eye protection with side shields marked to comply with ANSI Z87.1 during product operation. If operation is dusty, also wear a dust mask.

GENERAL MAINTENANCE

Avoid using solvents when cleaning plastic parts. Most plastics are susceptible to damage from various types of commercial solvents and may be damaged by their use. Use clean cloths to remove dirt, dust, oil, grease, etc.

Do not allow pitch to accumulate on the tables, the fence, the cutter guard, the cutter head, or the knives. Clean them with an appropriate solvent.

Apply a thin coat of paste type wax to the tables and the fence so that the wood slides easily while feeding. This also deters rusting.

Do not allow chips to accumulate on the underside of the jointer/planer.

If power cord is worn, cut, or damaged in any way, have it replaced immediately.

Disassembly of the motor should only be done by an Authorized Service Center. Disregarding this may void your tool's warranty.

NOTE: The speed of this motor cannot be regulated or changed.

Motors used on woodworking tools are particularly susceptible to the accumulation of sawdust and wood chips and should be blown out or vacuumed frequently to prevent interference with normal motor ventilation.

WARNING:

Do not at any time let brake fluids, gasoline, petroleum-based products, penetrating oils, etc., come in contact with plastic parts. Chemicals can damage, weaken or destroy plastic which may result in serious personal injury.

Electric tools used on fiberglass material, wallboard, spackling compounds, or plaster are subject to accelerated wear and possible premature failure because the fiberglass chips and grindings are highly abrasive to bearings, brushes, commutators, etc. Consequently, we do not recommend using this tool for extended work on these types of materials. However, if you do work with any of these materials, it is extremely important to clean the tool using compressed air.

LUBRICATION

All of the bearings in this tool are lubricated with a sufficient amount of high grade lubricant for the life of the unit under normal operating conditions. Therefore, no further lubrication is required.

The following parts should be oiled occasionally with SAE No. 20 or No. 30 engine oil. See Figure 47.

- Dovetail spacer and dovetail slide.
- Elevation screw (first clean if necessary).

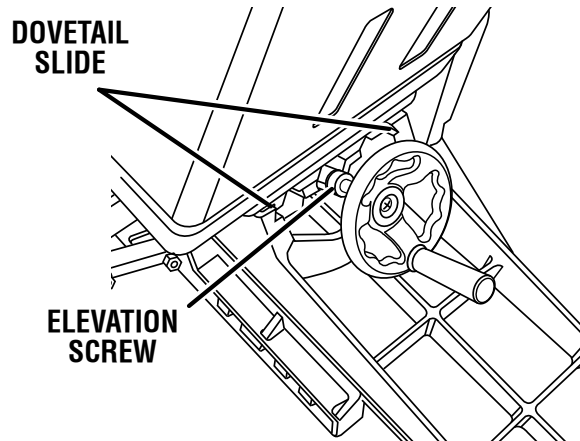


Fig. 47

MOTOR SAFETY PROTECTION

NOTE: To reduce the risk of motor damage, this motor should be blown out or vacuumed frequently to keep sawdust from interfering with normal motor ventilation.

- Connect this tool to a power source with the appropriate voltage for your model and a 15-amp branch circuit with a 15-amp time delay fuse or circuit breaker. Using the wrong size fuse can damage the motor.
- If the motor won't start, turn off the power switch immediately and unplug the tool. Check the cutter head to make sure it turns freely. If the cutter head is free, try to start the motor again. If the motor still does not start, refer to the "Motor Troubleshooting Chart."
- Fuses may "blow" or circuit breakers may trip frequently if:
 - If Motor is Overloaded-Overloading can occur if you feed too rapidly or make too many start/stops in a short time.
 - If line voltage is more than 10% above or below the nameplate voltage. For heavy loads, however, the voltage at motor terminals must equal the voltage specified for your model.
 - If improper or dull jointer knives are used.
- Most motor troubles may be traced to loose or incorrect connections, overload, low voltage (such as small size wire in the supply circuit) or to overly long supply circuit wire. Always check the connections, the load, and the supply circuit whenever motor doesn't work well. Check wire sizes and length with the Wire Size Chart.

MAINTENANCE

CUTTER KNIFE SHARPENING

See Figure 48.

The knives can be honed individually with an ordinary oilstone.

NOTE: Make sure your oilstone is not worn in the center. It must be flat.

Be sure to remove the burr on the flat side.

⚠ WARNING:

The cutter knives are extremely sharp. Do not let your hand or fingers touch the cutter knives. Failure to heed this warning could result in serious personal injury.

If the knives are nicked they must be replaced or reground. They can be reground several times until they become 9/16 in. wide. Never install unbalanced knives or reground knives less than 9/16 in. wide.

Have your knives reground by someone who is competent. Look under "Sharpening Services" in the Yellow Pages of your telephone directory.

NOTE: The knives may have a second, very small ground surface very close to the sharpened edge of the knife. Hone only the edge of the knife which will be doing the cutting.

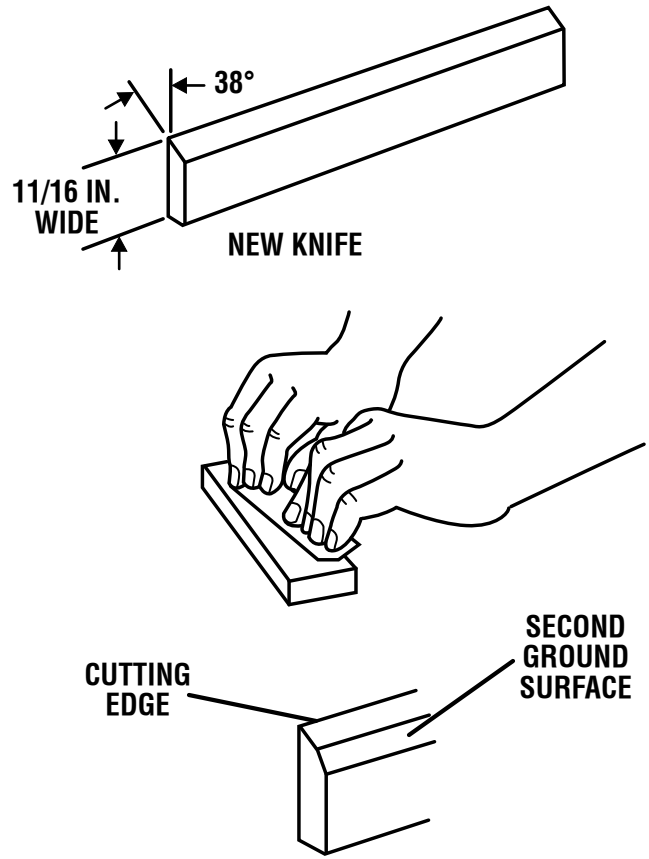


Fig. 48

ACCESSORIES

Look for these accessories at The Home Depot:

Jointer Knives.....	AC8600
Push Blocks	AC8601
Dust Collection Kit.....	AC8602

⚠ WARNING:

Attachments and accessories available for use with this tool are listed above. Do not use any attachments or accessories not recommended by the manufacturer of this tool. The use of attachments or accessories not recommended can result in serious personal injury.

TROUBLESHOOTING

Problem	Cause	Solution
Motor will not run	Defective On-Off switch	Consult an Authorized Service Center. Any attempt to repair this electrical device may create a hazard unless repair is done by a qualified service technician. Repair service is available at your nearest Authorized Service Center.
	Defective capacitor	
	Defective motor	
	Low line voltage	See "Troubleshooting (Motor)" section.
	Belt tension too high	Adjust belt tension.
Wood strikes outfeed table after passing over cutter head	Outfeed table improperly adjusted above cutter knives	Readjust table, see "Outfeed Table Adjustment" section.
Ripples on planed surface	One knife set higher than other	Readjust knives, see "Maintenance" section.
	Feeding wood too fast	Feed wood slower.
Kickbacks	Cutting knives are set too high above outfeed table, or they are not leveled with outfeed table	Readjust knives, see "Maintenance" section.
Planed surface not straight	Outfeed table out of adjustment	Readjust table, see "Outfeed Table Adjustment" section.
Excessive gouging at end of cut	Outfeed table set too low	Readjust table, see "Outfeed Table Adjustment" section.
45°, 90° and 135° cuts inaccurate	Fence stops not adjusted properly	Readjust fence stops, see "Alignment" section.
	Fence bottom not even with outfeed table due to wood chips under fence	Clean wood chips from underside of fence.
Infeed or outfeed table loose	Loose gib	Tighten gibs.
Cutter guard does not function properly	Return spring broken	Consult an Authorized Service Center immediately if broken.
	Spring needs adjustment	Adjust spring.
Excessive noise	Motor	Have motor checked by qualified service technician. Repair service is available at your nearest Authorized Service Center.
	Pulley set screw is loose	Tighten set screw.

TROUBLESHOOTING

Problem	Cause	Solution
<p>Motor fails to develop full power.</p> <p>NOTE: Low voltage (Power output of motor decreases rapidly with decreases in voltage at motor terminals. For example, a reduction of 10% in voltage causes a reduction of 19% in maximum power output of which the motor is capable, and a reduction of 20% in voltage causes a reduction of 36% in maximum power output.)</p>	<p>Circuit overloaded with lights, appliances, and other motors</p> <p>Undersize wires or circuit too long</p> <p>General overloading of power company facilities</p>	<p>Do not use other appliances or motors on the same circuit when using the jointer.</p> <p>Increase wire sizes, or reduce length of wiring. See “Motor Specifications and Electrical Requirements” section.</p> <p>Request a voltage check from the power company.</p>
<p>Motor starts slowly or fails to come to full speed</p>	<p>Windings burned out or open</p> <p>Drive belt tension too high</p> <p>Defective start capacitor</p>	<p>Have motor repaired or replaced.</p> <p>Adjust belt tension.</p> <p>Have start capacitor replaced.</p>
<p>Motor overheats</p>	<p>Motor overloaded</p> <p>Improper cooling. (Air circulation restricted through motor due to sawdust accumulating inside of motor)</p>	<p>Feed work slower into knives.</p> <p>Clean out sawdust to provide normal air circulation through motor. See “Maintenance and Lubrication.”</p>
<p>Motor stalls (resulting in blown fuses or tripped circuit breakers.)</p>	<p>Voltage too low to permit motor to reach operating speed</p> <p>Fuses or circuit breakers do not have sufficient capacity</p> <p>Circuit overloaded with lights, appliances and other motors</p>	<p>Request voltage check from the power company.</p> <p>Install proper size fuses or circuit breakers. See “Electrical Connection” section.</p> <p>Do not use other appliances or motors on same circuit when using the jointer.</p>
<p>Frequent opening of fuses or circuit breakers</p>	<p>Motor overloaded</p> <p>Fuses or circuit breakers do not have sufficient capacity</p> <p>Circuit overloaded with lights, appliances and other motors</p>	<p>Feed work slower.</p> <p>Install proper size fuses or circuit breakers. See “Electrical Connection” section.</p> <p>Do not use other appliances or motors on same circuit when using the jointer.</p>

WARRANTY

RIDGID® HAND HELD AND STATIONARY POWER TOOL 3 YEAR LIMITED SERVICE WARRANTY

Proof of purchase must be presented when requesting warranty service.

Limited to RIDGID® hand held and stationary power tools purchased 2/1/04 and after. This product is manufactured by One World Technologies, Inc. The trademark is licensed from RIDGID, Inc. All warranty communications should be directed to One World Technologies, Inc., attn: RIDGID Hand Held and Stationary Power Tool Technical Service at (toll free) 1-866-539-1710.

90-DAY SATISFACTION GUARANTEE POLICY

During the first 90 days after the date of purchase, if you are dissatisfied with the performance of this RIDGID® Hand Held and Stationary Power Tool for any reason you may return the tool to the dealer from which it was purchased for a full refund or exchange. To receive a replacement tool you must present proof of purchase and return all original equipment packaged with the original product. The replacement tool will be covered by the limited warranty for the balance of the 3 YEAR service warranty period.

WHAT IS COVERED UNDER THE 3 YEAR LIMITED SERVICE WARRANTY

This warranty on RIDGID® Hand Held and Stationary Power Tools covers all defects in workmanship or materials and normal wear items such as brushes, chucks, motors, switches, cords, gears and even cordless batteries in this RIDGID® tool for three years following the purchase date of the tool. Warranties for other RIDGID® products may vary.

HOW TO OBTAIN SERVICE

To obtain service for this RIDGID® tool you must return it; freight prepaid, or take it in to an authorized service center for RIDGID® branded hand held and stationary power tools. You may obtain the location of the authorized service center

®

requesting warranty service, you must present the original dated sales receipt. The authorized service center will repair any faulty workmanship, and either repair or replace any part covered under the warranty, at our option, at no charge to you.

WHAT IS NOT COVERED

This warranty applies only to the original purchaser at retail and may not be transferred. This warranty only covers defects arising under normal usage and does not cover any malfunction, failure or defect resulting from misuse, abuse, neglect, alteration, modification or repair by other than an authorized service center for RIDGID® branded hand held and stationary power tools. Consumable accessories provided with the tool such as, but not limited to, blades, bits and sand paper are not covered.

RIDGID, INC. AND ONE WORLD TECHNOLOGIES, INC. MAKE NO WARRANTIES, REPRESENTATIONS OR PROMISES AS TO THE QUALITY OR PERFORMANCE OF ITS POWER TOOLS OTHER THAN THOSE SPECIFICALLY STATED IN THIS WARRANTY.

ADDITIONAL LIMITATIONS

To the extent permitted by applicable law, all implied warranties, including warranties of MERCHANTABILITY or FITNESS FOR A PARTICULAR PURPOSE, are disclaimed. Any implied warranties, including warranties of merchantability or fitness for a particular purpose, that cannot be disclaimed under state law are limited to three years from the date of purchase. One World Technologies, Inc. and RIDGID, Inc. are not responsible for direct, indirect, incidental or consequential damages. Some states do not allow limitations on how long an implied warranty lasts and/or do not allow the exclusion or limitation of incidental or consequential damages, so the above limitations may not apply to you. This warranty gives you specific legal rights, and you may also have other rights which vary from state to state.

One World Technologies, Inc.

RÈGLES DE SÉCURITÉ GÉNÉRALES

AVERTISSEMENT :

Lire attentivement toutes les instructions. Le non respect de toutes les instructions ci-dessous peut entraîner un choc électrique, un incendie et / ou des blessures graves.

LIRE TOUTES LES INSTRUCTIONS

- **VEILLER À BIEN CONNAÎTRE L'OUTIL.** Lire attentivement le manuel d'utilisation. Apprendre les applications et les limites de l'outil, ainsi que les risques spécifiques relatifs à son utilisation.
- **SE PROTÉGER DES CHOCS ÉLECTRIQUES EN ÉVITANT TOUT CONTACT DU CORPS AVEC DES SURFACES MISES À LA TERRE.** Par exemple: tuyaux, radiateurs, cuisinières, réfrigérateurs.
- **MAINTENIR TOUS LES DISPOSITIFS DE PROTECTION EN PLACE** et en bon état de fonctionnement.
- **RETIRER LES CLÉS ET OUTILS DE RÉGLAGE.** Prendre l'habitude de vérifier que tous les outils et clés de réglage en ont été retirés de l'outil avant de le mettre en marche.
- **GARDER LE LIEU DE TRAVAIL PROPRE.** Un lieu de travail et un établi encombrés sont propices aux accidents. **NE PAS** laisser d'outils ou de pièces de bois sur la machine en fonctionnement.
- **NE PAS UTILISER DANS DES ENVIRONNEMENTS DANGEREUX.** Ne pas utiliser les outils électriques dans des endroits mouillés ou humides, ne pas les exposer à la pluie. Garder le lieu de travail bien éclairé.
- **GARDER LES ENFANTS ET VISITEURS À L'ÉCART.** Tous les visiteurs doivent porter des lunettes de sécurité et se tenir à bonne distance de la zone de travail. Ne pas laisser les visiteurs toucher l'outil ou son cordon d'alimentation pendant le fonctionnement.
- **ASSURER LA SÉCURITÉ DES ENFANTS** en installant des cadenas et des disjoncteurs ou en retirant les clés de contact.
- **NE PAS FORCER L'OUTIL.** Il exécutera le travail mieux et de façon moins dangereuse s'il fonctionne dans les limites prévues.
- **UTILISER L'OUTIL APPROPRIÉ.** Ne pas utiliser l'outil ou un accessoire pour effectuer un travail pour lequel il n'est pas conçu.
- **UTILISER UN CORDON PROLONGATEUR ADÉQUAT.** S'assurer que le cordon prolongateur est en bon état. Utiliser exclusivement un cordon d'une capacité suffisante pour supporter le courant de fonctionnement de l'outil. Un cordon de capacité insuffisante causerait une baisse de la tension de ligne, entraînant une perte de puissance et une surchauffe. Un calibre de fil (A.W.G) d'au minimum **14** est recommandé pour un cordon prolongateur de 7,5 m (25 pi) ou moins. En cas de doute, utiliser un cordon du calibre immédiatement supérieur. Moins le numéro de calibre est élevé, plus la capacité du fil est grande.
- **PORTER UNE TENUE APPROPRIÉE.** Ne pas porter de vêtements amples, gants, cravate ou bijoux. Ces articles pourraient être happés et tirer la main ou une partie du corps dans les pièces en mouvement. Les cheveux longs doivent être ramassés sous un couvre-chef.
- **TOUJOURS PORTER DES LUNETTES DE SÉCURITÉ À COQUES LATÉRALES.** Les lunettes de vue ordinaires sont munies seulement de verres résistants aux impacts ; ce ne sont **PAS** des lunettes de sécurité.
- **ASSUJETTIR LES PIÈCES.** Dans la mesure du possible, utiliser des serre-joint ou un étau, ce qui réduit les risques et laisse les deux mains libres pour contrôler l'outil.
- **NE PAS TRAVAILLER HORS DE PORTÉE.** Toujours se tenir bien campé et en équilibre.
- **ENTREtenir SOIGNEUSEMENT LES OUTILS.** Garder les outils bien affûtés et propres pour accroître la sécurité et les performances. Suivre les instructions de lubrification et de changement d'accessoires.
- **DÉBRANCHER TOUS LES OUTILS.** Tous les outils doivent être débranchés lorsqu'ils ne sont pas en usage et avant toute opération d'entretien ou de changement d'accessoire, lame, forer, fers, etc.
- **ÉVITER LES DÉMARRAGES ACCIDENTELS.** S'assurer que le commutateur est en position d'arrêt avant de brancher un outil.
- **UTILISER LES ACCESSOIRES RECOMMANDÉS.** Voir les accessoires recommandés dans le manuel d'utilisation. L'usage de tout accessoire incorrect peut être dangereux.
- **NE JAMAIS MONTER SUR L'OUTIL.** Un basculement pourrait entraîner des blessures graves.
- **VÉRIFIER L'ÉTAT DES PIÈCES.** Avant d'utiliser l'outil de nouveau examiner soigneusement les pièces et dispositifs de protection qui semblent endommagés afin de déterminer s'ils fonctionnent correctement et s'ils remplissent les fonctions prévues. Vérifier l'alignement des pièces mobiles, s'assurer qu'aucune pièce n'est bloquée ou cassée, vérifier la fixation de chaque pièce et s'assurer qu'aucun autre problème ne risque d'affecter le bon fonctionnement de l'outil. Pour éviter les risques de blessures, toute protection ou pièce endommagée doit être correctement réparée ou remplacée dans un centre de réparations agréé.
- **ENGAGER LES PIÈCES DANS LE SENS CORRECT.** Le matériau à couper ne doit être engagé que contre le sens de rotation de la lame, de l'accessoire ou de la toupie de ponçage.
- **NE JAMAIS LAISSER L'OUTIL EN FONCTIONNEMENT SANS SURVEILLANCE. COUPER L'ALIMENTATION ÉLECTRIQUE.** Ne pas s'éloigner de l'outil avant qu'il soit parvenu à un arrêt complet.
- **PORTER UNE PROTECTION RESPIRATOIRE.** Porter un masque facial ou respiratoire si le travail produit de la poussière.
- **PORTER UNE PROTECTION AUDITIVE.** Porter une protection auditive durant les périodes d'utilisation prolongée.

RÈGLES DE SÉCURITÉ GÉNÉRALES




- **NE PAS MALTRAITER LE CORDON D'ALIMENTATION.** Ne jamais utiliser le cordon d'alimentation pour transporter l'outil et ne jamais débrancher ce dernier en tirant sur le cordon. Garder le cordon à l'écart de la chaleur, de l'huile et des objets tranchants.
- **N'UTILISER QUE DES CORDONS PROLONGATEURS POUR EXTÉRIEUR.** Pour les travaux à l'extérieur, utiliser exclusivement des cordons spécialement conçus à cet effet, marqués en conséquence, et dotés d'une prise de terre agréée.
- **GARDER LES LAMES PROPRES, BIEN AFFÛTÉES ET SUFFISAMMENT AVOYÉES.** Des forets bien affûtés réduisent le risque de blocage.
- **NE JAMAIS UTILISER CET OUTIL DANS UNE ATMOSPHÈRE EXPLOSIVE.** Les étincelles normalement produites par le moteur pourraient enflammer les vapeurs.
- **INSPECTER LES CORDONS D'ALIMENTATION RÉGULIÈREMENT.** Faire remplacer tout commutateur défectueux par un technicien qualifié ou un centre de réparations agréé. Le fil à gaine verte, avec ou sans traceur jaune est le fil de terre. Si le cordon doit être réparé ou remplacé, ne pas connecter le fil de terre de l'outil sur une borne sous tension. Tout cordon endommagé doit être réparé ou remplacé immédiatement. Toujours rester conscient de l'emplacement du cordon et veiller à le tenir à l'écart de la lame en rotation.
- **INSPECTER RÉGULIÈREMENT LES CORDONS PROLONGATEURS** et les remplacer s'ils sont endommagés.
- **GARDER L'OUTIL SEC, PROPRE ET EXEMPT D'HUILE OU DE GRAISSE.** Toujours utiliser un chiffon propre pour le nettoyage. Ne jamais utiliser de liquide de freins, d'essence ou de produits à base de pétrole pour nettoyer l'outil.
- **RESTER VIGILANT ET GARDER LE CONTRÔLE.** Se montrer attentif et faire preuve de bon sens. Ne pas utiliser l'outil en état de fatigue. Ne pas se presser.
- **NE PAS UTILISER L'OUTIL SI LE COMMUTATEUR NE PERMET PAS DE LE METTRE EN MARCHÉ OU DE L'ARRÊTER.** Faire remplacer les commutateurs défectueux dans un centre de réparations agréé.
- **INSPECTER LA PIÈCE ET RETIRER LES CLOUS ÉVENTUELS AVANT D'UTILISER CET OUTIL.** Le respect de cette consigne réduira les risques de blessures graves.
- **NE JAMAIS METTRE UN OUTIL EN MARCHÉ LORSQU'UNE PIÈCE EN ROTATION QUELCONQUE EST EN CONTACT AVEC LA PIÈCE À COUPER.**
- **NE PAS UTILISER CET OUTIL SOUS L'INFLUENCE DE L'ALCOOL, DE DROGUES OU DE MÉDICAMENTS.**
- Utiliser exclusivement des pièces identiques à celles d'origine **POUR LES RÉPARATIONS**. L'usage de toute autre pièce pourrait créer une situation dangereuse ou endommager l'outil.
- **UTILISER EXCLUSIVEMENT LES ACCESSOIRES RECOMMANDÉS** dans ce manuel ou ses addendas. L'emploi de tout accessoire non recommandé peut présenter un risque de blessure. Les instructions de sécurité d'utilisation sont fournies avec les accessoires.
- **VÉRIFIER DEUX FOIS TOUS LES RÉGLAGES** S'assurer que la toupie ou la bande est bien assujettie et ne touche ni la machine, ni la pièce à poncer avant de brancher la machine sur le secteur.

RÈGLES DE SÉCURITÉ PARTICULIÈRES







- **PORTER UNE PROTECTION RESPIRATOIRE.** Porter un masque facial ou respiratoire si le travail produit de la poussière.
- **PORTER UNE PROTECTION AUDITIVE.** Porter une protection auditive durant les périodes d'utilisation prolongée.
- **INSPECTER RÉGULIÈREMENT LE CORDON D'ALIMENTATION DE L'OUTIL. S'IL EST ENDOMMAGÉ, LE CONFIER AU CENTRE DE RÉPARATIONS AGRÉÉ LE PLUS PROCHE. TOUJOURS ÊTRE CONSCIENT DE L'EMPLACEMENT DU CORDON.** Le respect de cette consigne réduira les risques de choc électrique et d'incendie.
- **INSPECTER LA PIÈCE ET RETIRER LES CLOUS ÉVENTUELS AVANT D'UTILISER CET OUTIL.** Le respect de cette consigne réduira les risques de blessures graves.
- **CONSERVER CES INSTRUCTIONS.** Les consulter fréquemment et les utiliser pour instruire les autres utilisateurs éventuels. Si cet outil est prêté, il doit être accompagné de ces instructions.
- **LES PIÈCES MINCES OU DE PETITE TAILLE PEUVENT REBONDIR LORSQU'ELLES BASCULENT SUR LES TABLES OU DANS LA TÊTE DE COUPE.** Pour réduire le risque de contact avec la tête de coupe ou de rebond de la pièce : ne jamais assembler, raboter ou biseauter des pièces d'une longueur inférieure à 30 cm (12 po).
- **NE JAMAIS ASSEMBLER** des pièces mesurant moins de 19 mm (3/4 po) de largeur ou 6 mm (1/4 po) d'épaisseur.
- **TOUJOURS UTILISER DES BLOCS OU BÂTONS POUSSOIRS** lors de l'assemblage ou du biseautage de pièces d'une largeur de moins de 7,5 cm (3 po).
- **LORS DE LA FEUILLURE,** toujours effectuer des passes de 3 mm (1/8 po) ou moins.
- **NE JAMAIS RABOTER DE PLANCHES LARGES DE MOINS OU ÉPAISSES DE MOINS DE 19 mm (3/4 PO).**
- **TOUJOURS UTILISER DES BLOCS OU BÂTONS POUSSOIRS** pour le rabotage.
- **NE JAMAIS** effectuer quelque opération que ce soit à « main levée », c'est à dire en utilisant seulement les mains pour soutenir une pièce. Toujours utiliser le guide longitudinal ou le guide à onglet pour positionner et guider la pièce.
- **S'ASSURER DE L'ABSENCE DE DÉBRIS** entre la pièce et le guide ou la table.
- **TOUJOURS UTILISER UN SUPPORT STABLE LORS DE L'ASSEMBLAGE OU DU RABOTAGE DE PIÈCES LONGUES.** Ne jamais demander à quiconque d'aider à soutenir, pousser ou tirer la pièce, pour quelque opération que ce soit.
- **NE JAMAIS COUPER** plus d'une pièce à la fois.
- **NE JAMAIS METTRE LA DÉGAUCHISSEUSE / RABOTEUSE** en marche sans avoir retiré tous les objets se trouvant sur la table, à l'exception de la pièce et des dispositifs de support.
- **ÉVITER LES OPÉRATIONS ET POSITIONS INCOMMODES** pouvant causer un glissement soudain des mains vers la lame. Ne jamais passer la main au dessus de la tête de coupe, quelle que soit l'opération.
- **SI LE CORDON D'ALIMENTATION EST ENDOMMAGÉ,** il doit être remplacé uniquement pas le fabricant ou par un centre de réparation agréé pour éviter tout risque.
- **CONSERVER CES INSTRUCTIONS.** Les consulter fréquemment et les utiliser pour instruire les autres utilisateurs. Si cet outil est prêté, il doit être accompagné de ces instructions.

SYMBOLES

Les termes de mise en garde suivants et leur signification ont pour but d'expliquer le degré de risques associé à l'utilisation de ce produit.

SYMBOLE	SIGNAL	SIGNIFICATION
	DANGER :	Indique une situation dangereuse qui, si elle n'est pas évitée, aura pour conséquences des blessures graves ou mortelles.
	AVERTISSEMENT :	Indique une situation dangereuse qui, si elle n'est pas évitée, pourrait entraîner des blessures graves ou mortelles.
	ATTENTION :	Indique une situation dangereuse qui, si elle n'est pas évitée, pourrait entraîner des blessures légères ou de gravité modérée.
	AVIS :	(Sans symbole d'alerte de sécurité) Indique les informations jugées importantes sans toutefois représenter un risque de blessure (ex. : messages concernant les dommages matériels).

Certains des symboles ci-dessous peuvent être présents sur l'outil. Veiller à les étudier et à apprendre leur signification. Une interprétation correcte de ces symboles permettra d'utiliser l'outil plus efficacement et de réduire les risques.

SYMBOLE	NOM	DÉSIGNATION/EXPLICATION
	Symbole d'alerte de sécurité	Indique un risque de blessure potentiel.
	Lire le manuel d'utilisation	Pour réduire les risques de blessures, l'utilisateur doit lire et veiller à bien comprendre le manuel d'utilisation avant d'utiliser ce produit.
	Protection oculaire	Toujours porter une protection oculaire avec écrans latéraux certifiée conforme à la norme ANSI Z87.1.
	Symbole Garder les mains à l'écart	Le non respect de cette mise en garde peut entraîner des blessures graves.
	Avertissement concernant l'humidité	Ne pas exposer l'outil à la pluie ni à l'humidité.
V	Volts	Tension
A	Ampères	Intensité
Hz	Hertz	Fréquence (cycles par seconde)
min	Minutes	Heure
~	Courant alternatif	Type de courant
n_0	Vitesse à vide	Vitesse de rotation à vide
	Construction de classe II	Construction à double isolation
.../min	Par minute	Tours, coups, vitesse périphérique, orbites, etc., par minute

CARACTÉRISTIQUES ÉLECTRIQUES

CORDONS PROLONGATEURS

Utiliser exclusivement des cordons prolongateurs à trois fils doté d'une fiche à prise de terre branchés sur une prise triphasée compatible avec la fiche de l'outil. Lors de l'utilisation d'un outil électrique à grande distance d'une prise secteur, veiller à utiliser un cordon prolongateur d'une capacité suffisante pour supporter l'appel de courant de l'outil. Un cordon de capacité insuffisante causerait une baisse de la tension de ligne, entraînant une perte de puissance et une surchauffe. Se reporter au tableau ci-dessous pour déterminer le calibre minimum de fil requis pour un cordon donné. Utiliser exclusivement des cordons à gaine ronde homologués par Underwriter's Laboratories (UL).

**Intensité nominale (sur la plaquette signalétique de l'outil)

Longueur du cordon	Calibre de fil (A.W.G.)					
	0-2,0	2,1-3,4	3,5-5,0	5,1-7,0	7,1-12,0	12,1-16,0
25'	16	16	16	16	14	14
50'	16	16	16	14	14	12
100'	16	16	14	12	10	—

**Utilisé sur circuit de calibre 12 – 20 A

NOTE : AWG = American Wire Gage

Pour les travaux à l'extérieur, utiliser un cordon prolongateur spécialement conçu à cet effet. La gaine des cordons de ce type porte l'inscription « WA ».

Avant d'utiliser un cordon prolongateur, vérifier que ses fils ne sont ni détachés ni exposés et que son isolation n'est ni coupée, ni usée.

AVERTISSEMENT :

Maintenir le cordon prolongateur à l'écart de la zone de travail. Lors du travail avec un cordon électrique, placer le cordon de manière à ce qu'il ne risque pas de se prendre dans les pièces de bois, outils et autres obstacles. Ne pas prendre cette précaution peut entraîner des blessures graves.

AVERTISSEMENT :

Vérifier l'état des cordons prolongateurs avant chaque utilisation. Remplacer immédiatement tout cordon endommagé. Ne jamais utiliser un outil dont le cordon d'alimentation est endommagé, car tout contact avec la partie endommagée pourrait causer un choc électrique et des blessures graves.

CONNEXION ÉLECTRIQUE

Cet outil est équipé d'un moteur électrique de précision. Elle doit être branchée uniquement sur une **alimentation 120 V, 60 Hz, c.a. (courant résidentiel standard)**. Ne pas utiliser cet outil sur une source de courant continu (c.c.). Une chute de tension importante causerait une perte de puissance et une surchauffe du moteur. Si l'outil ne fonctionne pas une fois branché, vérifier l'alimentation électrique.

VITESSE ET CÂBLAGE

La vitesse à vide de cet outil est d'environ 1 725 tr/min. (3 450/min.). La vitesse n'est pas constante et elle diminue sous une charge ou en présence d'une baisse de tension. Le câblage de l'atelier est aussi important que la puissance nominale du moteur. Une ligne conçue seulement pour l'éclairage ne peut pas alimenter correctement le moteur d'un outil électrique. Un fil électrique d'une capacité suffisante pour une courte distance ne le sera pas nécessairement pour une distance plus longue. Une ligne pouvant alimenter un outillage peut pas nécessairement en alimenter deux ou trois.

INSTRUCTIONS DE MISE À LA TERRE

En cas de problème de fonctionnement ou de panne, la mise à la terre fournit un chemin de résistance au courant, pour réduire le risque de choc électrique. Cet outil est équipé d'un cordon électrique avec conducteur et fiche de mise à la terre. Le cordon doit être branché sur une prise correctement installée et mise à la terre conformément à tous les codes et réglementations locaux en vigueur.

Ne pas modifier la fiche fournie. Si elle ne peut pas être insérée dans la prise secteur, faire installer une prise adéquate par un électricien qualifié. L'usage d'un cordon prolongateur incorrect peut présenter des risques de choc électrique. Le fil à gaine verte, avec ou sans traceur jaune est le fil de terre. Si le cordon doit être réparé ou remplacé, ne pas connecter le fil de terre de l'outil sur une borne sous tension.

Consulter un électricien qualifié ou le personnel de service si les instructions de mise à la terre ne sont pas bien comprises, ou en cas de doute au sujet de la mise à la terre.

Tout cordon endommagé doit être réparé ou remplacé immédiatement.

Cet outil est conçu pour être branché sur un circuit comportant une prise telle que celle montrée à la figure 1. Sa fiche est dotée d'une broche de terre semblable à celle représentée.

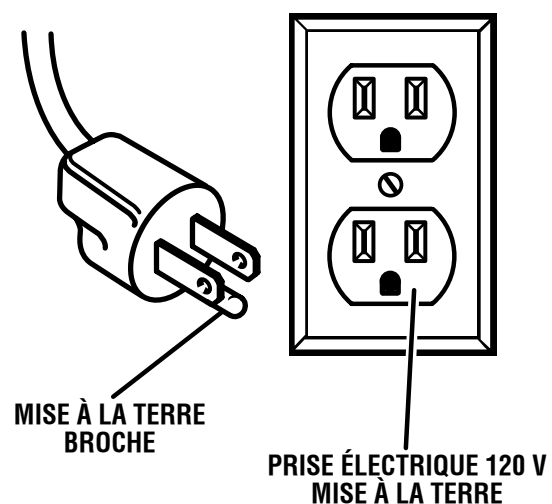


Fig. 1

CARACTÉRISTIQUES ÉLECTRIQUES

CHANGEMENT DE LA TENSION DU MOTEUR

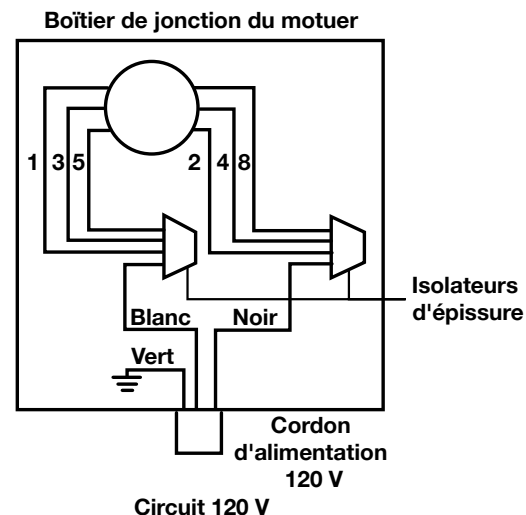
Voir les figures 2 à 5.

⚠ AVERTISSEMENT :

Un choc électrique peut être mortel. Pour réduire les risques de blessures graves, ne jamais brancher la fiche de l'outil avant que l'assemblage soit terminé.

NOTE : La dégauchisseuse / raboteuse a été câblée en usine pour le fonctionnement en 120 V, 60 Hz. Pour changer la tension du moteur de 120 à 240 volts :

- Débrancher la dégauchisseuse / raboteuse.
- Le boîtier de raccordement se trouve sur le côté du moteur. Retirer la vis Phillips de l'arrière du boîtier de raccordement et enlever le couvercle.
- Retirer et jeter le chatterton des connecteurs de fils. Retirer les connecteurs.
- Reconnecter les fils.
- Réinstaller les connecteurs et les envelopper de deux couches de chatterton homologué UL neuf.
- Consulter les schémas de câblage pour vérifier que les branchements sont corrects.
- Remettre le couvercle du boîtier de raccordement et l'assujettir au moyen de la vis Phillips.
- Couper la fiche 120 V du cordon d'alimentation et la remplacer par une prise à 3 broches, 240 V, 15 A, homologuée UL.
- Connecter les fils blanc et noir, respectivement, du cordon sur les bornes de « tension » des broches de la fiche. Connecter le fil vert sur la borne de la broche de terre de la fiche.
- Brancher la dégauchisseuse / raboteuse sur une prise secteur 220/240 V, 15 A, à trois broches.
- S'assurer que la prise se trouve sur une branche d'un circuit 240 V c.a. présentant une capacité d'au moins 15 ampères et protégé par un fusible temporisé ou un disjoncteur de 15 A.



POUR UTILISATION SUR 110/120 VOLTS

Fig. 2

⚠ AVERTISSEMENT :

En cas d'incertitude concernant le câblage, faire vérifier la ligne par un électricien qualifié afin d'éviter tout danger électrique tel qu'une électrocution, risquant d'être mortelle.

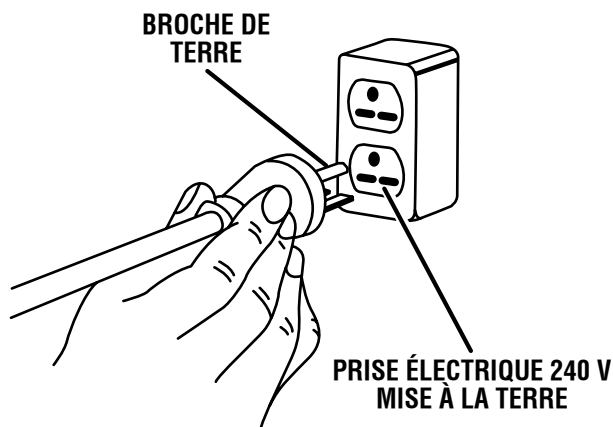
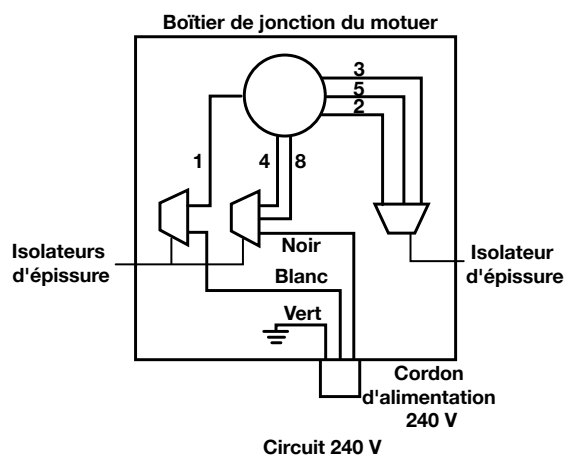


Fig. 3



POUR UTILISATION SUR 220/240 VOLTS

Fig. 4

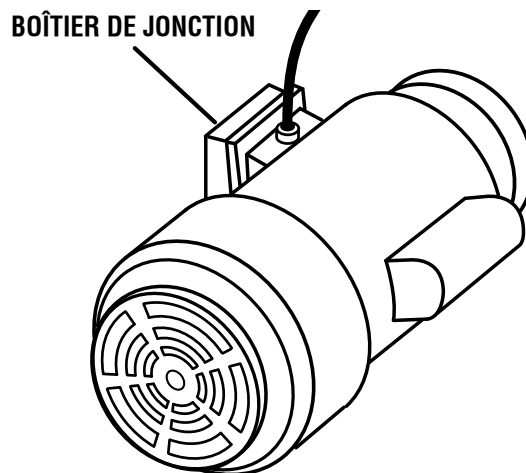


Fig. 5

GLOSSAIRE

Axe

Pièce sur laquelle une lame ou un outil de coupe est monté.

Blocs poussoirs et bâtons poussoirs (pour scies à table)

Dispositifs utilisés pour pousser le matériau contre la lame lors de la coupe. Un bâton poussoir (pas un bloc poussoir) doit être utilisé pour la refente de pièces étroites. Ce dispositif aide à tenir la main de l'opérateur bien à l'écart de la lame.

Blocs poussoirs (pour dégauchisseuses / raboteuses)

Dispositifs utilisés pour pousser le matériau contre la tête de coupe lors de toute opération. Ce dispositif aide à tenir la main de l'opérateur bien à l'écart de la lame.

Bord avant

Extrémité de la pièce engagée dans la machine en premier.

Cale-guide

Dispositif utilisé pour faciliter le contrôle de la pièce à couper en la guidant contre la table ou le guide lors des coupes longitudinales.

Chanfrein

Coupe en biseau effectuée sur l'extrémité (ou une partie de l'extrémité) d'une pièce, de manière à ce qu'il présente un angle autre que 90°.

Coupe composée

Coupe transversale présentant un angle d'onglet et un angle de biseau.

Coupe d'onglet

Coupe effectuée avec la lame sur toute position autre que perpendiculaire (90°) à la table.

Coupe en biseau

Coupe effectuée avec la lame sur toute position autre que perpendiculaire (90°) à la table.

Coupe longitudinale ou refente

Opération de coupe dans le sens de la longueur de la pièce.

Coupes non traversantes

Toute coupe avec laquelle la lame ne traverse pas complètement la pièce.

Coupe transversale

Coupe ou profilage effectué en travers du grain de la pièce.

Coupe traversante

Toute opération de coupe avec laquelle la lame traverse toute l'épaisseur de la pièce.

Couteau diviseur / écarteur (scies à table)

Pièce de métal légèrement plus mince que la lame, gardant le trait de scie ouvert pour empêcher le rebond.

Gomme

Résidu collant formé par la sève du bois.

Griffes antirebond (scies à table et radiales)

Dispositifs qui, s'ils sont correctement installés et entretenus, sont conçus pour empêcher que la pièce coupée soit propulsée en direction de l'opérateur durant la refente.

Main levée

Exécution d'une coupe sans que la pièce soit soutenue par un guide longitudinal, un guide d'onglet ou autre dispositif.

Pièce ou matériau

L'article sur lequel le travail est effectué.

Rainage

Coupe non traversante produisant une encoche ou gorge de forme rectangulaire dans la pièce (exige une lame spéciale).

Rebond

Réaction dangereuse se produisant lorsque la lame est pincée ou bloquée et projetant la pièce en train d'être coupée en direction de l'opérateur.

Refente

Opération de coupe destinée à réduire l'épaisseur d'une pièce pour en produire plusieurs, plus minces.

Résine

Résidu collant formé par la sève du bois durcie.

Ricochet

Le ricochet est habituellement causé par une pièce lâchée contre la lame ou mise en contact avec la lame accidentellement.

Sifflet (raboteuses)

Enfoncement à l'extrémité d'une pièce causé par les lames de la tête de coupe lorsque la pièce n'est pas correctement soutenue.

Table

Surface sur laquelle la pièce repose lors des opérations de coupe, de perçage, de rabotage ou de ponçage.

Talon

Mauvais alignement de la lame par rapport au guide.

Tête de coupe (raboteuses et raboteuses / dégauchisseuses)

Pièce rotative munie de lames réglables. La tête de coupe enlève du matériau de la pièce.

Tours minute (tr/min)

Nombre de rotations effectuées par un objet en une minute.

Trait de scie

Quantité de matériau éliminé par la lame lors de coupes traversantes ou l'entaille produite lors de coupes non traversantes ou partielles.

Trajectoire de la lame de scie

Zone au-dessus, au-dessous, en avant ou en arrière de la lame. En ce qui concerne la pièce, la partie qui sera ou a été coupée par la lame.

Trou pilote (perceuses à colonne)

Petit trou pratiqué dans une pièce servant de guide pour assurer la précision d'un trou de plus grand diamètre.

Utilisation pi / min ou coups / min

Nombre de pieds par minute (ou coups par minute). Terme utilisé en référence au mouvement de la lame.

Voie

Déport de la pointe des dents de la lame par rapport à sa face.

CARACTÉRISTIQUES

FICHE TECHNIQUE

Moteur1 HP à induction
 PhaseUne
 Sens de rotationÀ gauche
 Vitesse à vide3 450 r/min (RPM)
 Coupes par minute10 350/CPM

Tête de coupe3 lames
 Alimentation120 V, c.a. seulement, 60 Hz, 12 A
 Alimentation240 V, c.a. seulement, 60 Hz, 6 A
 Poids net94 kg (208 lb)

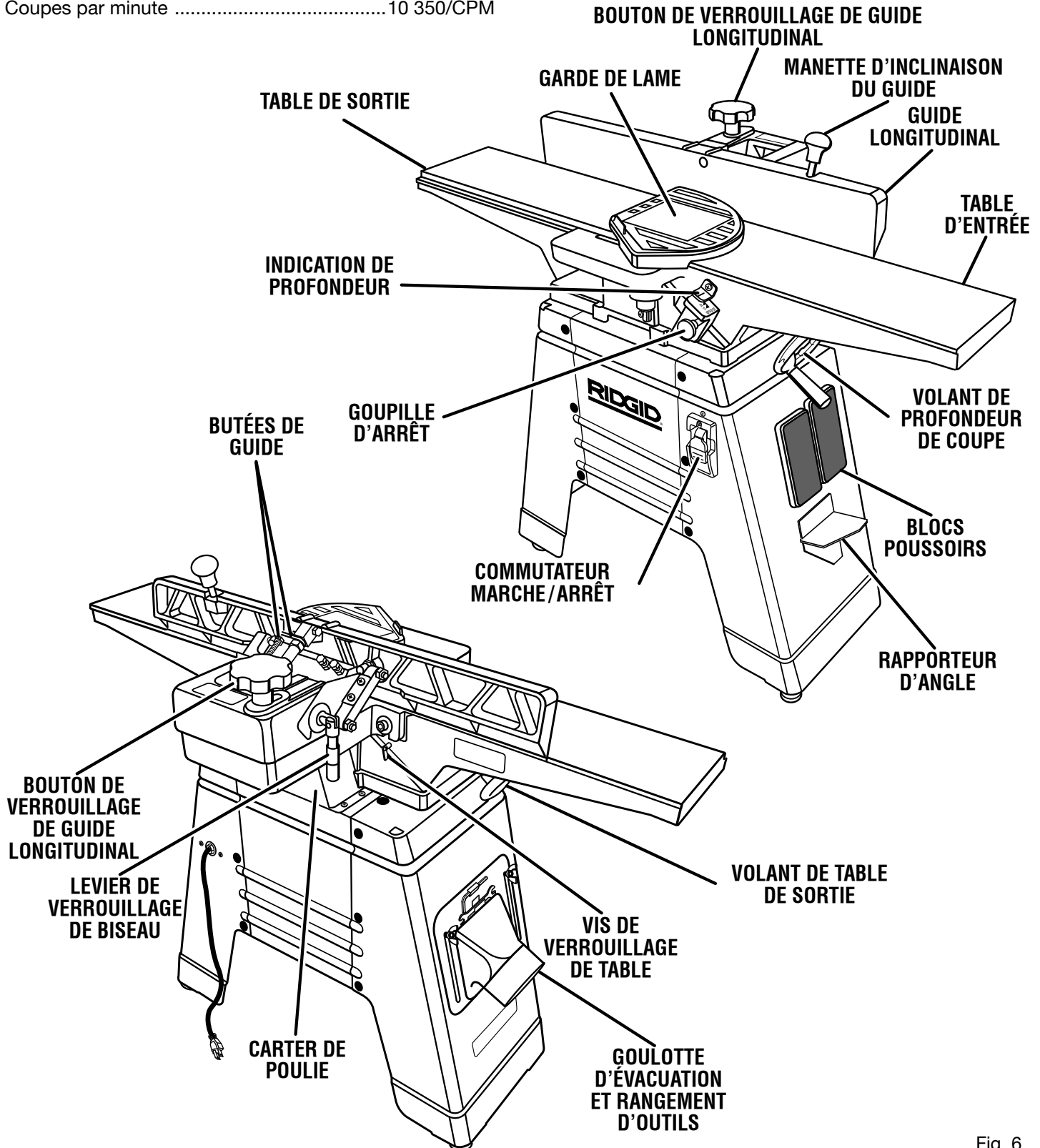


Fig. 6

CARACTÉRISTIQUES

VEILLER À BIEN CONNAÎTRE LA DÉGAUCHISSEUSE / RABOTEUSE

Voir la figure 6.

L'utilisation sûre de ce produit exige une compréhension des renseignements figurant sur l'outil et contenus dans le manuel d'utilisation, ainsi qu'une bonne connaissance du projet entrepris. Avant d'essayer d'utiliser ce produit, se familiariser avec toutes ses fonctions et tous ses dispositifs de sécurité.

GOULOTTE D'ÉVACUATION ET RANGEMENT D'OUTILS

Permet le raccordement d'un tuyau d'aspiration de 4 po. Se rétracte facilement lorsqu'un tuyau n'est pas raccordé. Rangement pour les clés de réglage de lames.

TABLE DE SORTIE

Portion de la table soutenant la pièce après qu'elle ait traversé la tête de coupe.

BOUTON DE VERROUILLAGE DE GUIDE LONGITUDINAL

Permet de déplacer le guide d'avant en arrière sur la table. Ceci permet d'utiliser toute la largeur de la tête de coupe ou seulement une portion (la plus tranchante) des lames.

CARTER DE POULIE

Protège l'utilisateur de tout contact accidentel avec la poulie ou la courroie du moteur.

VIS DE BLOCAGE DE LA TABLE

Ces vis permettent de verrouiller les tables de sortie et d'entrée à la hauteur désirée.

VOLANT DE PROFONDEUR DE COUPE

Ce volant permet de déterminer l'épaisseur de bois à raboter à chaque passe.

BUTÉES DE GUIDE À 90 ET 135°

Lorsqu'elles sont correctement ajustées, ces butées permettent de placer le guide sur les positions 90 et 135° par rapport à la table.

MANETTE D'INCLINAISON DU GUIDE

Permet de régler l'angle de biseau du guide.

GUIDE

Guide les pièces sur la tête de coupe.

LEVIER DE VERROUILLAGE DE BISEAU

Permet de régler le guide sur l'angle de biseau désiré.

TABLE D'ENTRÉE

Portion de la table sur laquelle la pièce avant qu'elle soit poussée sur la tête de coupe. Sa hauteur est réglable, ce qui permet à l'opérateur d'ajuster la profondeur de coupe.

GARDE DE TÊTE DE COUPE

Protège l'opérateur du contact avec les lames tranchantes de la tête de coupe. Étant chargée par ressort. Elle garde la tête de coupe couverte avant, pendant et après le passage de la pièce. Elle doit toujours être utilisée.

GOUPILLE D'ARRÊT

Pour les opérations de feillure jusqu'à 19 mm (1/2 po) de profondeur, tirer la goupille pour abaisser la table d'entrée par incréments de 3 mm (1/8 po).

RAPPORTEUR D'ANGLE

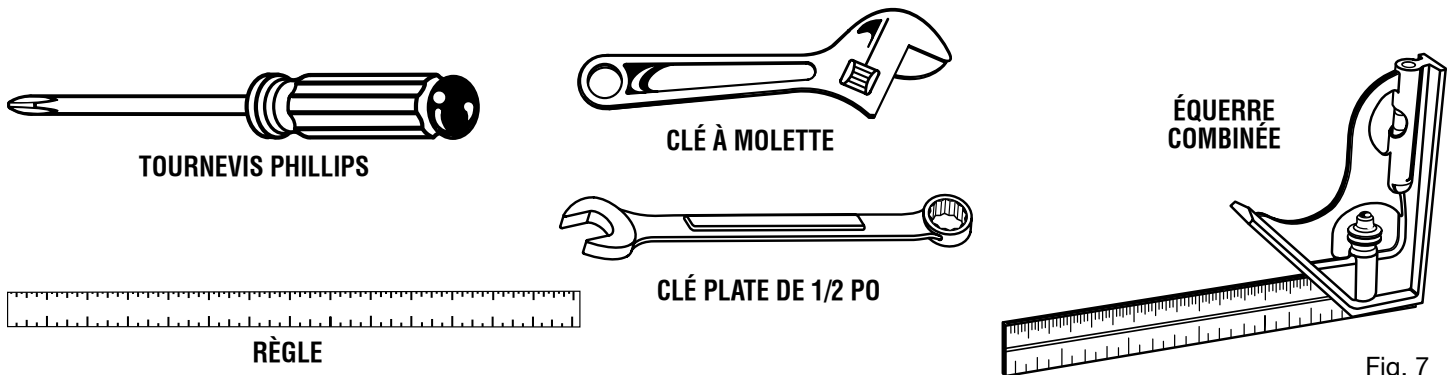
Permet de régler le guide sur l'angle de biseau désiré.

COMMUTATEUR MARCHE/ARRÊT

Permet de mettre la machine en marche et de l'arrêter. Lorsque la clé est insérée dans le commutateur, celui-ci peut être mis en position de MARCHE (I) ou d'ARRÊT (O). Lorsque la clé est retirée, la machine ne peut pas être mise en MARCHE. Ce système est conçu pour empêcher l'utilisation non autorisée.

OUTILS NÉCESSAIRES

Les outils suivants (non inclus) sont nécessaires pour le réglage et l'installation des lames :



TOURNEVIS PHILLIPS

CLÉ À MOLETTE

ÉQUERRE COMBINÉE

RÈGLE

CLÉ PLATE DE 1/2 PO

Fig. 7

PIÈCES DÉTACHÉES

Les articles suivant sont inclus avec l'outil :

- 1. Ensemble moteur et commutateur 1
- 2. Ensemble de table 1
- 3. Support du moteur 1
- 4. Guide longitudinal 1
- 5. Goulotte d'évacuation 1

- 6. Panneau arrière..... 1
- 7. Panneau avant 1
- 8. Panneau latéral droit..... 1
- 9. Panneau latéral gauche 1
- Manuel d'utilisation (non représenté)
- Sachet de quincaillerie (pas représenté)

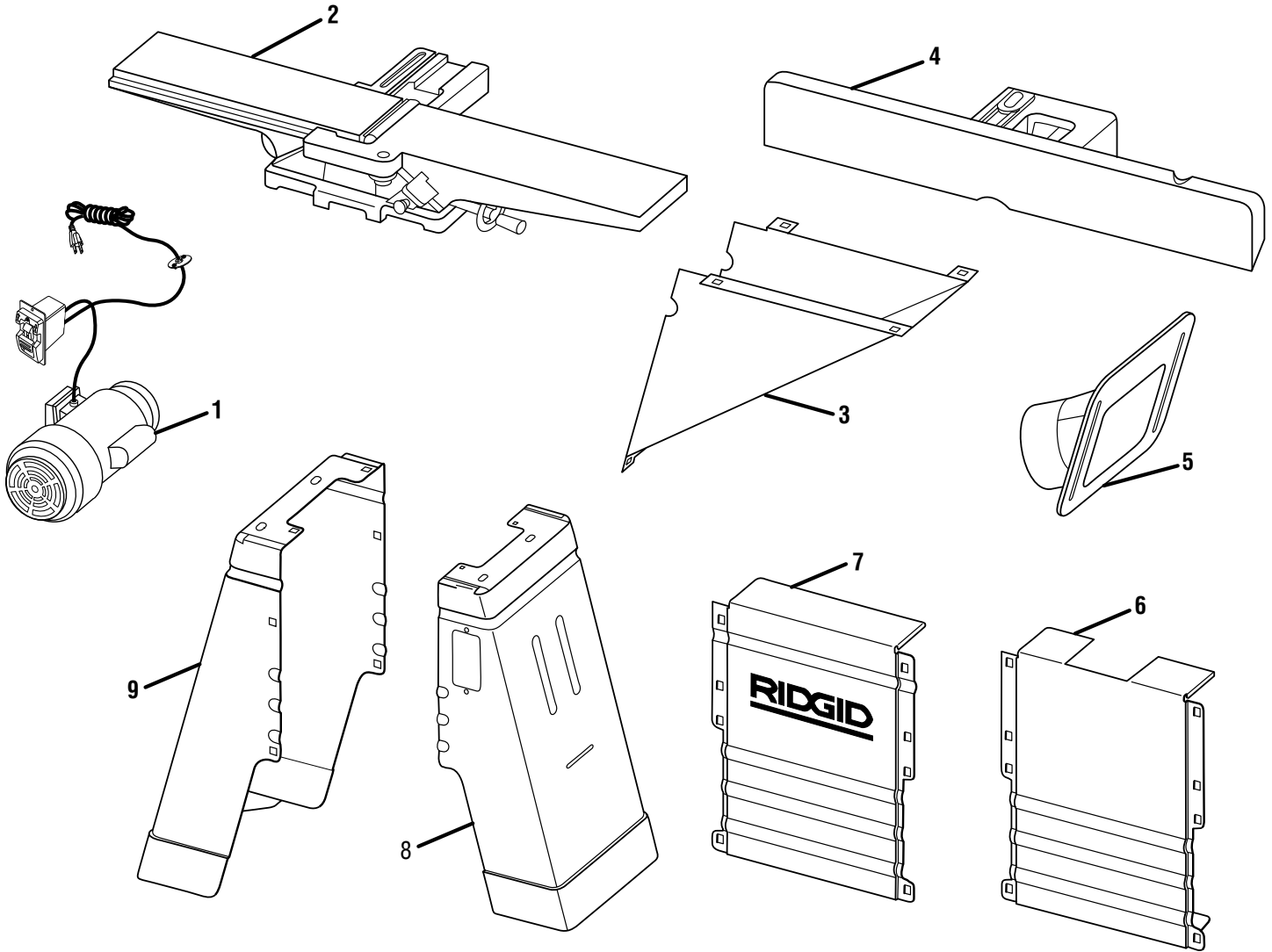


Fig. 8

PIÈCES DÉTACHÉES

Les articles suivant sont inclus avec l'outil :

- | | | | |
|--------------------------------|---|---|---|
| 1. Carter de poulie | 1 | 5. Blocs poussoirs | 2 |
| 2. Courroie crantée | 1 | 6. Manette d'inclinaison du guide..... | 1 |
| 3. Rapporteur d'angle..... | 1 | 7. Bouton de verrouillage de guide..... | 1 |
| 4. Garde de tête de coupe..... | 1 | 8. Volant..... | 1 |

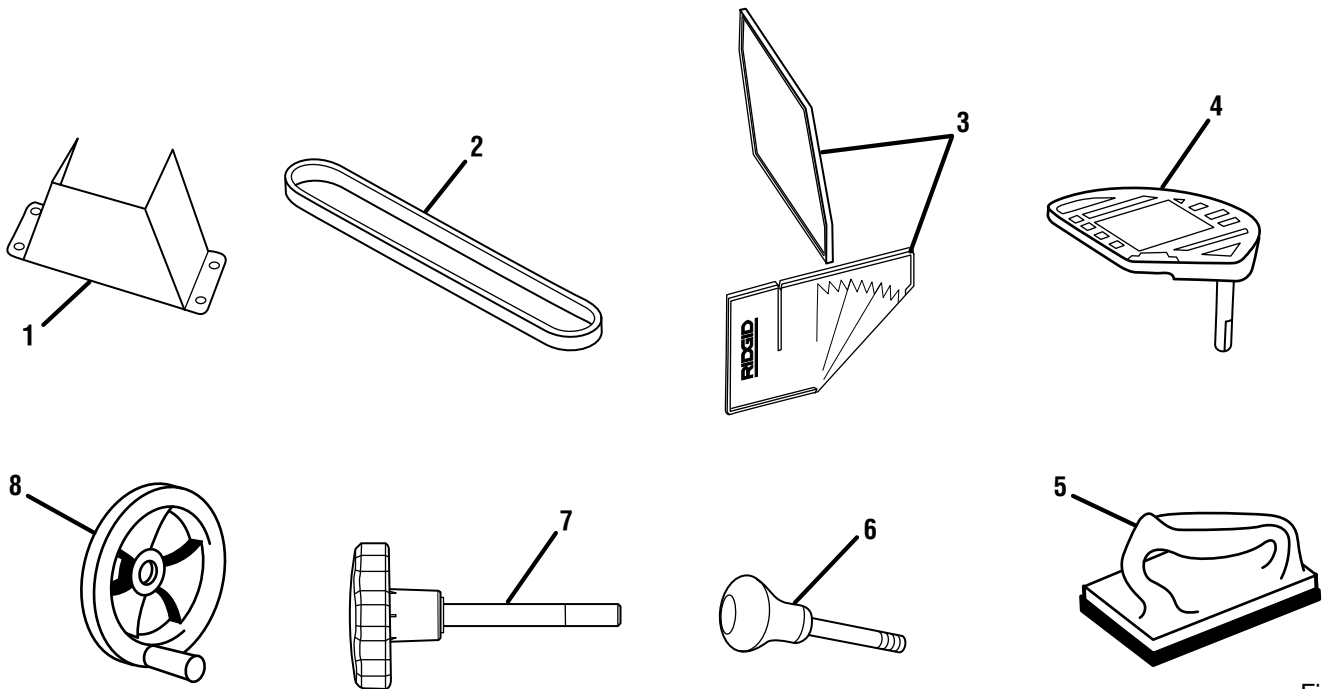


Fig. 9

ASSEMBLAGE

DÉBALLAGE

Ce produit doit être assemblé.

- Sortir la dégauchisseuse / raboteuse du carton avec précaution et la poser sur un plan de travail horizontal.

⚠ AVERTISSEMENT :

Ne pas utiliser le produit si, en le déballant, vous constatez que des éléments figurant dans la liste des pièces détachées sont déjà assemblés. Certaines pièces figurant sur cette liste n'ont pas été assemblées par le fabricant et exigent une installation. Le fait d'utiliser un produit qui a été assemblé de façon inadéquate peut entraîner des blessures.

⚠ AVERTISSEMENT :

Cet outil est lourd. Pour éviter des problèmes lombaires soulever avec les jambes, pas avec le dos et demander de l'aide lorsque nécessaire.

- Examiner soigneusement l'outil pour s'assurer que rien n'a été brisé ou endommagé en cours de transport.
- Ne pas jeter les matériaux d'emballage avant d'avoir soigneusement examiné l'outil et avoir vérifié qu'il fonctionne correctement.
- Si des pièces manquent ou sont endommagées, appeler le 1-866-539-1710.

⚠ AVERTISSEMENT :

Si des pièces manquent, ne pas utiliser cet outil avant qu'elles aient été installées. Ne pas prendre cette précaution pourrait entraîner des blessures graves.

ASSEMBLAGE

⚠ AVERTISSEMENT :

Ne pas essayer de modifier cet outil ou de créer des accessoires non recommandés pour cet outil. De telles altérations ou modifications sont considérées comme un usage abusif et peuvent créer des conditions dangereuses, risquant d'entraîner des blessures graves.

⚠ AVERTISSEMENT :

Ne pas brancher sur le secteur avant d'avoir terminé l'assemblage. Le non respect de cet avertissement peut causer un démarrage accidentel, entraînant des blessures graves.

ASSEMBLAGE DES PANNEAUX LATÉRAUX ET DU SUPPORT DE MOTEUR

Voir les figures 10 et 11.

■ Localiser les pièces suivantes :

- Boulons traversants de 5/16-18 x -1/2 po (6)
- Écrous cannelés à épaulement de 5/16 po (6)
- Panneau latéral gauche (1)
- Panneau latéral droit (1)
- Support de moteur (1)

- Installer le support de moteur sur le panneau latéral gauche, comme illustré. S'assurer que la languette inférieure à deux trous du support de moteur est à l'intérieur du panneau de gauche. Assujettir le support de moteur sur le panneau, à l'aide des boulons traversants de 5/16 po et des écrous cannelés à épaulement de 5/16 po. Serrer les écrous avec une clé.

NOTE : S'assurer que les languettes du support de moteur se trouvent sur celles du panneau de gauche.

- Assujettir le panneau droit sur le support de moteur à l'aide des boulons traversants de 5/16 po et des écrous cannelés à épaulement de 5/16 po. Serrer les écrous avec une clé.

ASSEMBLAGE DU PANNEAU AVANT

Voir la figure 12.

■ Localiser les pièces suivantes :

- Boulons traversants de 5/16-18 x -1/2 po (6)
- Écrous cannelés à épaulement de 5/16 po (6)
- Panneau avant avec logo RIDGID (1)

NOTE : Les languettes du panneau avant doivent être placées à l'intérieur du panneau latéral avant d'être assujetties avec les écrous et boulons.

- Assujettir le panneau devant à l'aide des boulons traversants de 5/16 po et des écrous cannelés à épaulement de 5/16 po. S'assurer que le panneau avant est monté du même côté de la base que l'ouverture du commutateur. Le panneau doit être boulonné sur l'arrière

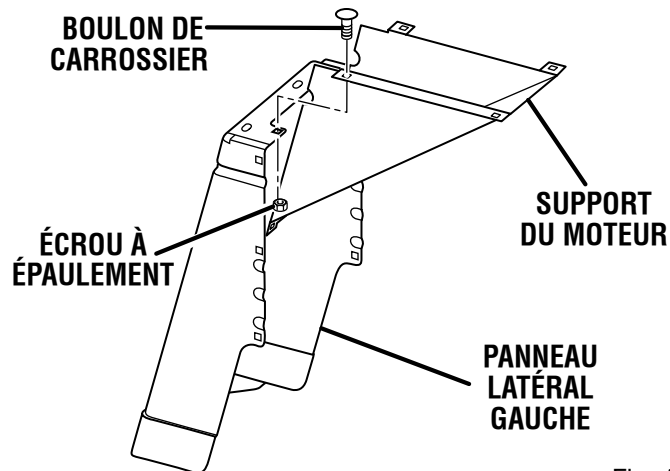


Fig. 10

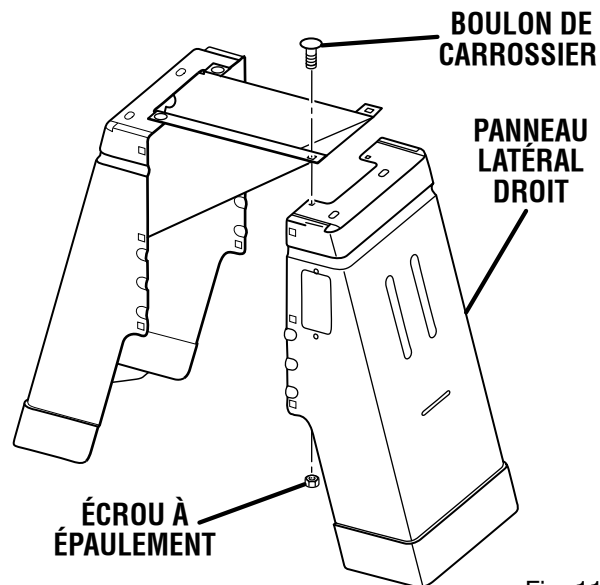


Fig. 11

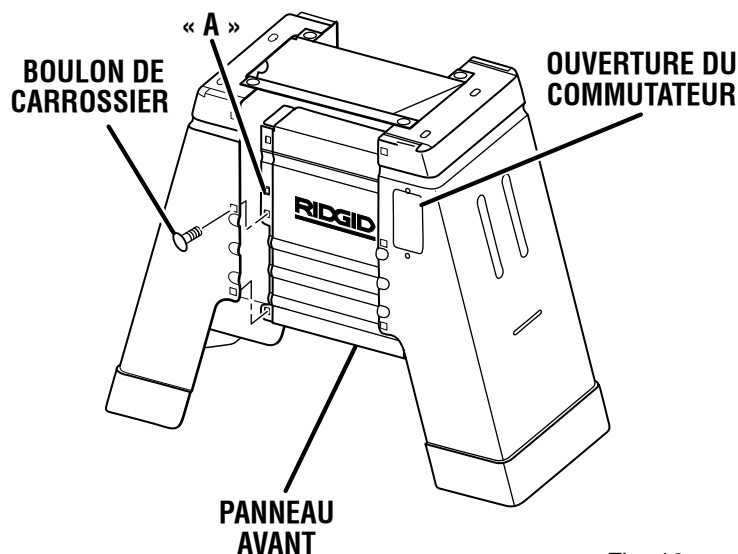


Fig. 12

ASSEMBLAGE

des panneaux latéraux droit et gauche, comme illustré. Serrer les écrous avec une clé.

- À ce point, serrer tous les écrous de la base.

NOTE : Il peut être plus facile de serrer le boulon de fixation de panneau avant si la base est renversée. Le panneau arrière sera monté ultérieurement.

NOTE : Les trous marqués « A » des panneaux avant et arrière ne sont pas utilisés pour l'assemblage.

ASSEMBLAGE DES PATINS DE MISE DE NIVEAU

Voir la figure 13.

- Retourner la base.
- Localiser les pièces suivantes :
 - Patins de mise de niveau en caoutchouc (4)
 - Rondelles plates, 3/8 po (8)
 - Écrous six pans 3/8 po (8)
- Visser un écrou de 3/8 po sur le filetage de chaque patin de mise de niveau, jusqu'à ce qu'il se trouve à 13 mm (1/2 po) du patin. Faire de même avec les trois autres patins.
- Installer les pieds de mise de niveau comme illustré. Placer une rondelle de 3/8 po au-dessous de la languette du patin et l'autre au-dessus. Assujettir les patins avec les autres écrous de 3/8 po. Serrer les écrous à l'aide d'une clé.

NOTE : Une fois la dégauchisseuse à son emplacement définitif, il peut être nécessaire d'ajuster les patins de mise de niveau.

RÉGLAGE DES PATINS DE MISE DE NIVEAU

Amener la dégauchisseuse à l'endroit où elle sera utilisée.

Pour mettre le bâti de niveau, desserrer l'écrou de chaque patin et relever ou abaisser ce dernier selon le besoin. Régler chaque patin selon le besoin et resserrer l'écrou.

NOTE : Ces patins ne sont pas conçus pour régler la hauteur, mais seulement pour mettre la machine de niveau.

INSTALLATION DU MOTEUR

Voir la figure 14.

- Retourner le bâti et placer une cale en bois de 10 x 10 cm sous son côté droit de manière à ce qu'il soit incliné comme illustré. Ceci soulèvera le support de moteur au niveau du sol, pour faciliter l'assemblage.
- Localiser les pièces suivantes :
 - Boulons traversants de 5/16-18 x -1/2 po (4)
 - Écrous cannelés à épaulement de 5/16 po (4)
 - Ensemble moteur et commutateur (1)

NOTE : Ce moteur est lourd, l'aide d'une autre personne peut être nécessaire lors du serrage des écrous et boulons.

- Installer le moteur sur son support, comme illustré. S'assurer que l'axe du moteur est face à l'arrière du bâti (à l'opposé du logo RIDGID).

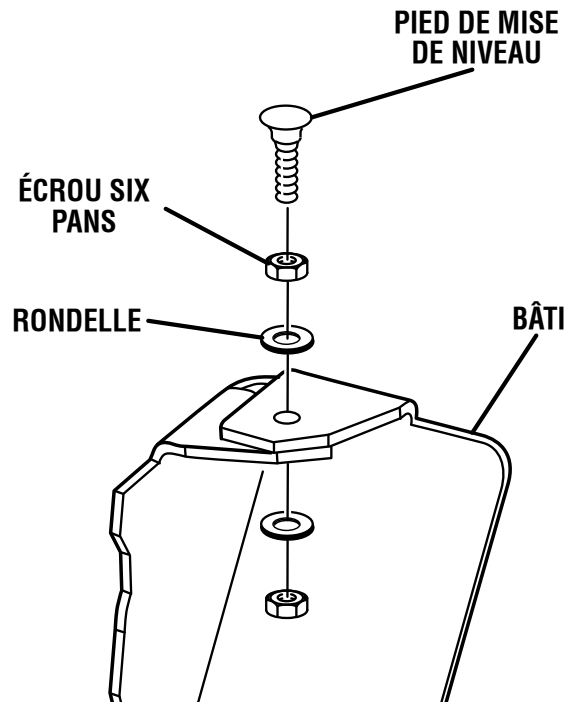


Fig. 13

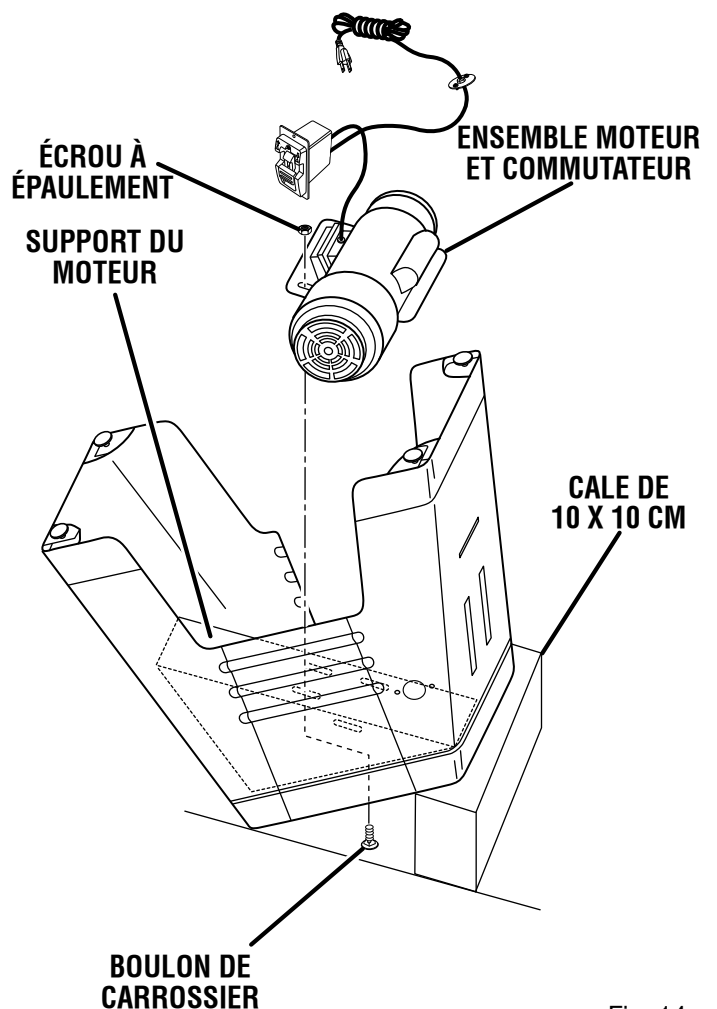


Fig. 14

ASSEMBLAGE

- Jettir le moteur sur son support, à l'aide des boulons traversants de 5/16 po et des écrous cannelés à épaulement de 5/16 po. Les boulons doivent être placés dans le support, comme illustré. Ne pas encore serrer les écrous.

NOTE : À ce point, ne pas encore installer le commutateur ou insérer le cordon d'alimentation dans le bâti.

ASSEMBLAGE DE LA TABLE DE DÉGAUCHISSEUSE SUR LE BÂTI

Voir les figures 15 et 16.

⚠ AVERTISSEMENT :

Cet outil est lourd. Pour éviter des problèmes lombaires soulever avec les jambes, pas avec le dos et demander de l'aide lorsque nécessaire.

- Avec l'aide d'une autre personne, placer la table à l'envers sur deux cales, comme illustré.
- Placer le bâti sur la table, comme illustré.
- Localiser les pièces suivantes :
Boulons cannelés de 3/8-16 x 3/4 po (3)
- Aligner les trous de la table de la dégauchisseuse sur ceux du bâti.
- Assujettir la table sur le bâti au moyen des boulons et serrer ces boulons. Pour accéder au troisième boulon, passer la main dans l'ouverture de la goulotte d'évacuation, comme illustré.

INSTALLATION DU COMMUTATEUR

Voir la figure 17.

- Localiser les pièces suivantes :
Clé de commutateur (1)
Vis de 3/16 po (2)

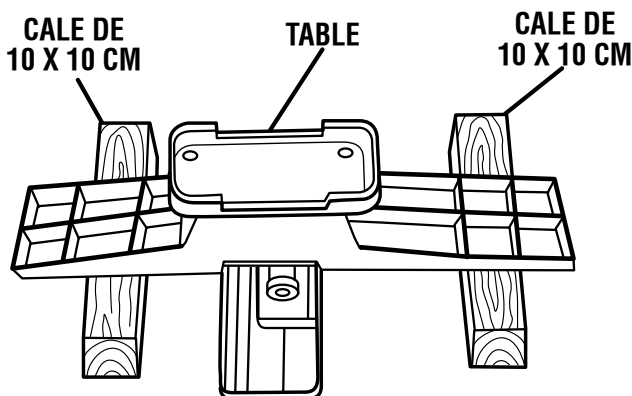


Fig. 15

- Installer le commutateur à l'aide des vis de 3/16 po, comme illustré. Vérifier que le commutateur est à l'endroit.
- Insérer la clé dans le commutateur.

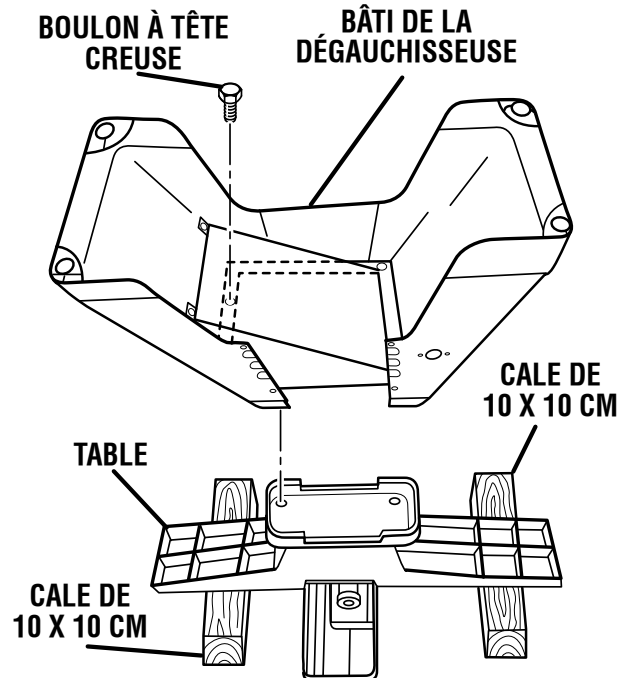


Fig. 16

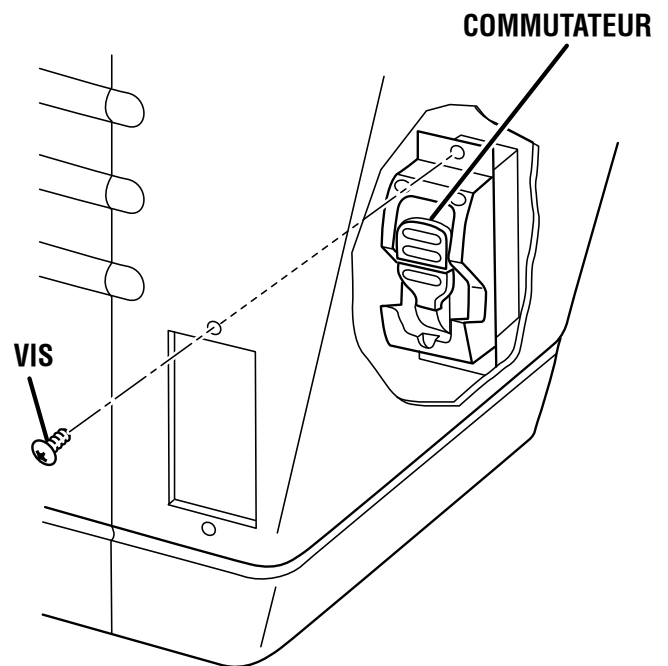


Fig. 17

ASSEMBLAGE

ASSEMBLAGE DU PANNEAU ARRIÈRE

Voir la figure 18.

- Localiser les pièces suivantes :

Boulons traversants de 5/16-18 x -1/2 po (6)
Écrous cannelés à épaulement de 5/16 po (6)
Panneau arrière (1)

NOTE : Les languettes du panneau arrière doivent être placées à l'intérieur des panneaux latéraux avant d'être assujetties avec les écrous et boulons.

- Mettre le panneau arrière en place par le dessous du bâti, comme illustré. Assujettir le panneau devant à l'aide des boulons traversants de 5/16 po et des écrous à épaulement de 5/16 po. S'assurer que les languettes du panneau arrière se trouvent à l'intérieur du bâti. Serrer les écrous.
 - Passer le cordon d'alimentation dans le trou de l'arrière du bâti.
 - Retirer les vis et rondelles de la plaque passe-fils.
 - De l'intérieur du bâti, passer le cordon d'alimentation, jusqu'à ce que la plaque touche la paroi du bâti.
 - Réinstaller les rondelles et vis de l'extérieur du bâti la plaque étant appuyée contre la paroi du bâti. Resserrer les vis.
- NOTE :** À ce point, serrer fermement tous les écrous et boulons du bâti et de la table.

INSTALLATION ET TENSION DE LA COURROIE

Voir la figure 19.

- Localiser la courroie crantée.
 - Engager la courroie sur les poulies du moteur et de la tête de coupe.
 - La dégauchisseuse étant renversée faire glisser le moteur sur son support en le poussant vers le haut pour tendre la courroie. Ceci demande l'aide d'une autre personne. Une fois la courroie tendue, serrer les écrous du moteur. La courroie doit présenter un fléchissement d'environ 25 mm (lorsqu'on appuie dessus en son centre, de l'un ou l'autre côté).
- NOTE :** Une autre méthode de réglage de tension de la courroie consiste à retourner la machine et laisser le moteur glisser vers le bas de manière à ce que seul son poids tende la courroie.

- Vérifier l'alignement longitudinal des courroies et ajuster le moteur selon le besoin.

INSTALLATION DU CARTER DE POULIE

Voir la figure 20.

- Localiser les pièces suivantes :
Vis cannelées à tête bombée 3/16-24 x 3/8 po (4)
Carter de poulie (1)
- Avec l'aide d'une autre personne, remettre la machine à l'endroit.

AVERTISSEMENT :

Cet outil est lourd. Pour éviter des problèmes lombaires soulever avec les jambes, pas avec le dos et demander de l'aide lorsque nécessaire.

- Installer le carter de poulie à l'aide des vis de 3/16 po.

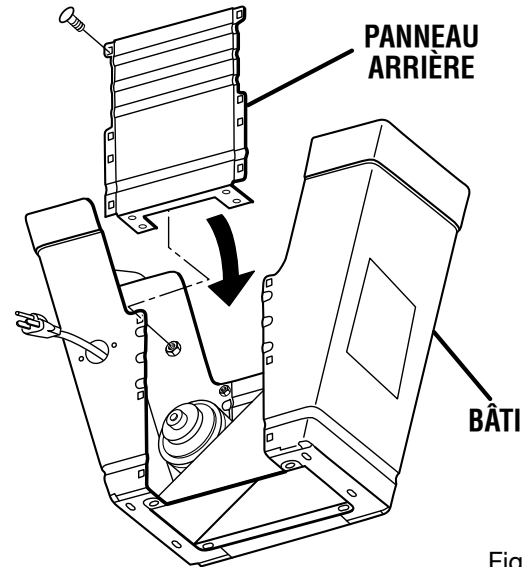


Fig. 18

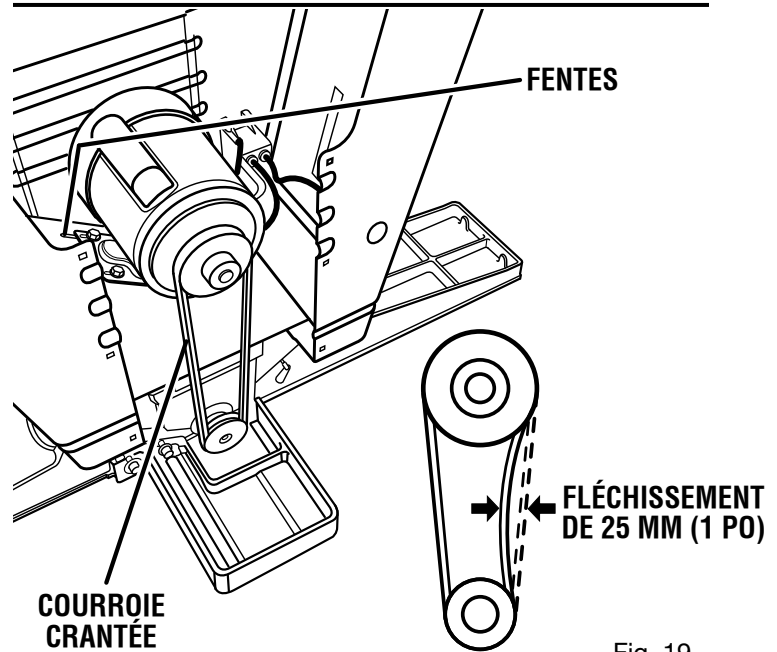


Fig. 19

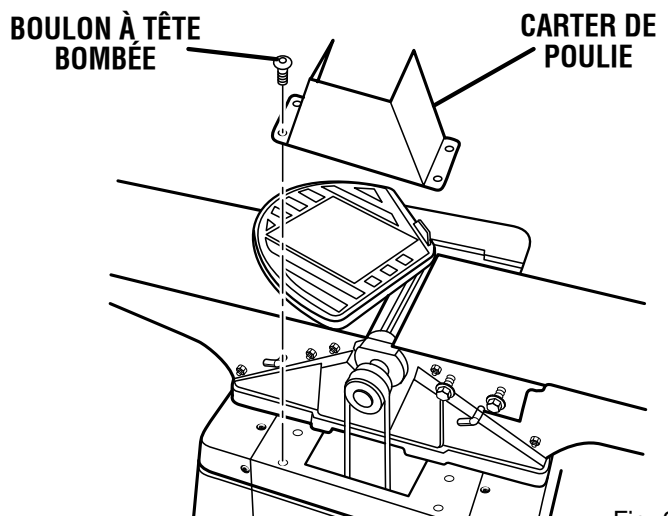


Fig. 20

ASSEMBLAGE

INSTALLATION DU VOLANT

Voir la figure 21.

- Localiser les pièces suivantes :
Vis à tête bombée avec rondelle (1/4-20 x 5/8 po) (1)
Volant (1)
- Engager le volant sur l'axe de réglage de hauteur de la table et le fixer à l'aide de la vis à tête bombée, comme illustré.

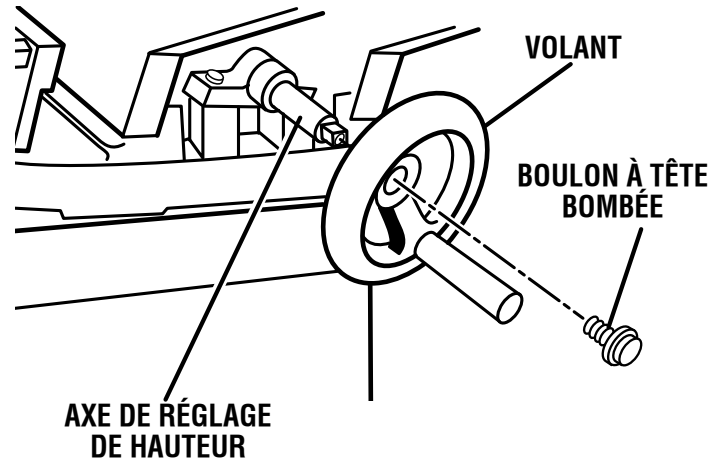


Fig. 21

INSTALLATION DE LA GOULOTTE D'ÉVACUATION

Voir la figure 22.

- Localiser les pièces suivantes :
Goulotte d'évacuation (1)
Vis papillon de 1/4-20 x 1/2 po (2)
Clé à couronne de 8 et 10 mm (1)
Clé hexagonale de 3 mm (1)
- Glisser la languette du bas de la goulotte d'évacuation dans la fente du bas de l'ouverture, du côté gauche de la base. Assujettir la goulotte à l'aide des deux vis papillon, insérées dans les fentes de chaque côté de la goulotte.
- La clé hexagonale et la clé plate (fournies avec la dégauchisseuse) peuvent être commodément rangées dans la goulotte, comme illustré.

NOTE : Si un système de dépoussiérage n'est pas utilisé, il suffit de desserrer les vis papillon, de soulever la goulotte en la tirant vers l'extérieur et de la faire pivoter dans la machine, comme illustré.

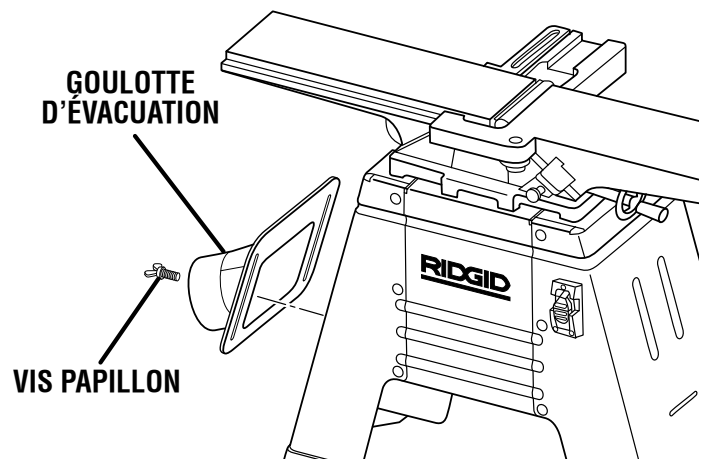


Fig. 22

ASSEMBLAGE DU GUIDE DE COUPE À TABLE

Voir la figure 23.

- Localiser les pièces suivantes :
Rondelle de 1/2 po (1)
Écrou captif (1)
Guide (1)
Bouton de verrouillage du guide (1)
Bouton d'inclinaison du guide (1)

NOTE : Lors de l'installation du guide, les deux nervures du dessus indiquent l'emplacement de l'ouverture de la tête de coupe de la table.

NOTE : Lors de l'installation du guide sur la table, ne pas retirer la garde de la tête de coupe.

- Placer le guide sur son support, comme illustré, en veillant à ce que le passage de clavette du guide s'aligne sur la clavette guide.
- Une fois le guide en place, visser le bouton de verrouillage au travers de la rondelle de 1/2 po, du guide et de son support. Visser l'écrou captif sur l'extrémité du bouton de verrouillage. S'assurer que les languettes de l'écrou sont engagées dans la fente du support de guide.
- **NOTE :** Les languettes de l'écrou captif doivent être orientées vers le haut pour s'engager dans la fente.
- Faire glisser le guide d'avant en arrière pour s'assurer de sa liberté de mouvement. Le verrouille en place.
- Visser le bouton d'inclinaison dans le guide.

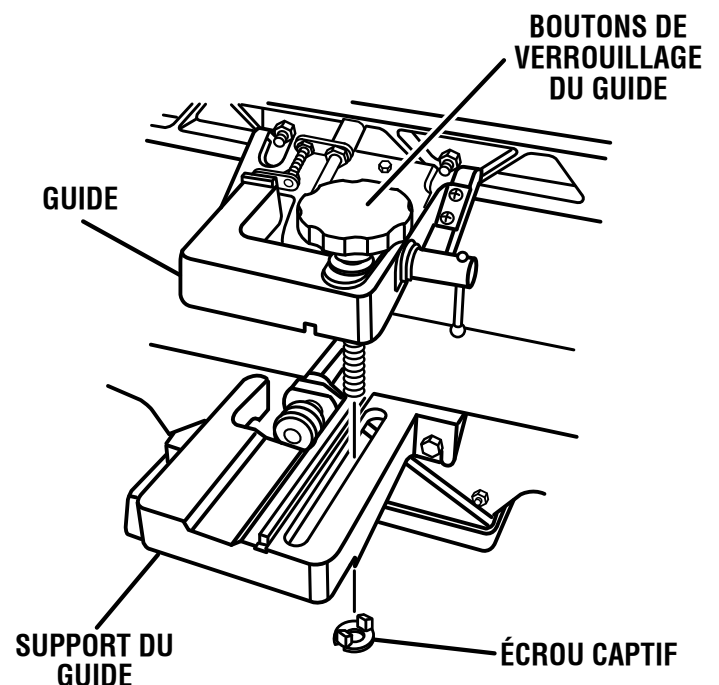


Fig. 23

ASSEMBLAGE

INSTALLATION DE LA GARDE DE TÊTE DE COUPE

Voir la figure 24.

- Localiser les pièces suivantes :
Garde de tête de coupe (1)
- Retirer la vis à tête bombée du bas du montant de la garde de tête de coupe.
- Tourner le bouton chargé par ressort d'un tour vers la gauche, tout en regardant au travers du trou de la table d'entrée.
- Ceci permet d'aligner la fente du montant de la garde sur le ressort. Insérer le montant dans la table d'entrée et sur le ressort du bouton.

NOTE : La butée de la garde de tête de coupe limite la course de cette dernière. Ne jamais modifier la butée ou retirer la garde de la tête de coupe avant une opération quelconque.

- Remettre la vis à tête bombée en place dans le bas du montant de la garde.

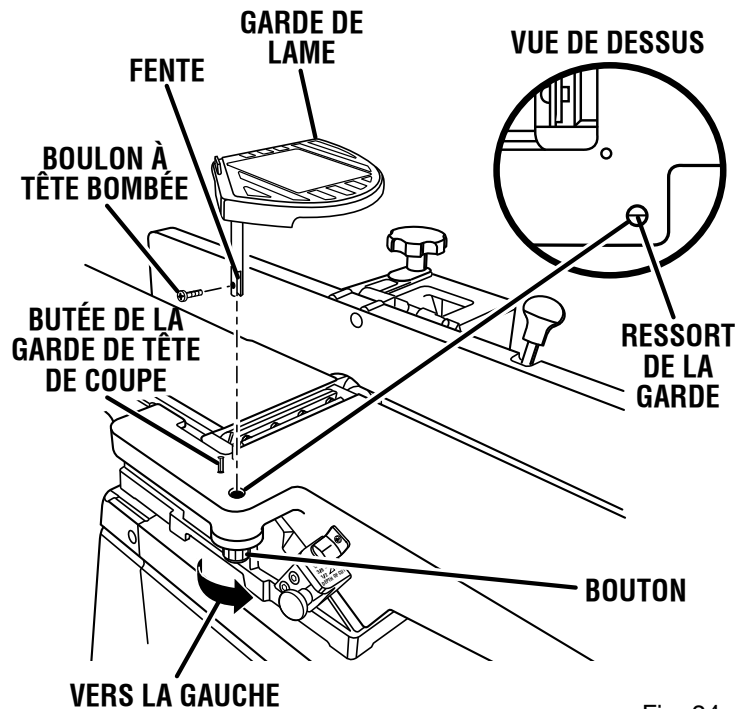


Fig. 24

VÉRIFICATION DU FONCTIONNEMENT DE LA GARDE

La machine étant hors tension, vérifier le fonctionnement de la tête de coupe.

AVERTISSEMENT :

La garde aide à éviter le contact avec la tête de coupe. Elle doit toujours être en place et fonctionner correctement pour éviter des blessures.

- Régler le guide à l'arrière de la table, pour obtenir une largeur de coupe maximum. Ne pas placer le guide au-delà du bord arrière des lames.
- Passer une planche de 6 mm, appuyée contre le guide sur la tête de coupe.

Une fois que la planche a passé la tête de coupe, la garde doit retourner automatiquement à sa position initiale. Si la garde ne se rabat pas immédiatement, régler son ressort, selon les instructions de la section « Réglages ».

BUTÉE DE LA GARDE DE TÊTE DE COUPE

La butée de la garde de tête de coupe limite son pivotement vers l'arrière. Si la butée n'arrête pas le pivotement de la garde, elle est trop enfoncée. Pousser la butée bar le dessous de la table en la frappant à l'aide d'un poinçon ou d'un chasse-clou. Frapper la butée légèrement pour obtenir un fonctionnement correct.

UTILISATION

AVERTISSEMENT :

Ne pas laisser la familiarité avec l'outil faire oublier la prudence. Ne pas oublier qu'une fraction de seconde d'inattention peut entraîner des blessures graves.

AVERTISSEMENT :

Toujours porter une protection oculaire munie d'écrans latéraux certifiée conforme à la norme ANSI Z87.1. Si cette précaution n'est pas prise, des objets peuvent être projetés dans les yeux et causer des lésions graves.

AVERTISSEMENT :

Ne pas utiliser d'outils ou accessoires non recommandés par le fabricant pour cet outil. L'utilisation de pièces et accessoires non recommandés peut entraîner des blessures graves.

APPLICATIONS

Cet outil peut être utilisé pour les applications ci-dessous :

- Cette dégauchisseuse / raboteuse est conçue uniquement pour le travail du bois.
- Dégauchissage / rabotage
- Feuillure
- Biseutage / chanfreinage

UTILISATION ÉLÉMENTAIRE DE LA SCIE DÉGAUCHISSEUSE / RABOTEUSE

La dégauchisseuse/raboteuse permet d'effectuer des passes longues et régulières. Elle est utilisée pour rectifier le chant des planches qui coivent être assemblées bord à bord. Ce processus élimine les espaces entre deux planches serrées l'une contre l'autre. Cette machine permet de préparer et rectifier les planches pour obtenir un assemblage plus précis. Le bois est aminci ou rectifié lorsqu'il est passé sur une tête de coupe rotative. La machine permet de rectifier les chants des pièces qui sont légèrement déformés. Elle permet également de raboter des planches pour les rectifier ou les amincir.

CAUSES DE REBONDS

Un rebond peut se produire lorsqu'une planche n'est pas correctement engagée sur la tête de coupe, ce qui la projette violemment en direction de l'opérateur. Si les mains se trouvent près des lames, elles pourraient être éjectées de la pièce et entrer en contact avec la tête de coupe. Le rebond peut causer des blessures graves et il est vivement recommandé de prendre des précautions afin d'éviter ce risque.

- Profondeur de coupe excessive
- Rectification de planches comportant des noeuds ou des clous
- Déviation du bois en cours de coupe

- Pièce à couper non soutenue
- Coupe forcée
- Coupe de planches humides ou voilées
- Engagement dans le mauvais sens
- Procédures de travail incorrectes
- Coupe avec des lames émoussées, encrassées ou mal réglées

POUR ÉVITER LE REBOND

- Dans la mesure du possible, utiliser un bloc ou un bâton poussoir.
- Toujours soutenir les pièces longues.
- Toujours maintenir fermement la pièce avec les deux mains ou avec des blocs ou bâtons poussoirs. Se tenir bien campé afin de pouvoir la maîtriser en cas de rebond. Ne jamais se tenir directement en ligne avec la tête de coupe.
- Toujours utiliser des lames propres, bien affûtées et correctement réglées. Ne jamais couper avec des lames émoussées.
- Soutenir correctement la pièce avant de commencer la coupe.
- Appliquer une pression constante et régulière sur la pièce. Ne jamais forcer la coupe.
- Ne pas rectifier des planches humides ou voilées.
- Pour un résultat optimal, utiliser une profondeur de coupe de 0,8 à 1,5 mm (1/32 à 1/16 po) pour la plupart des opérations. Une profondeur de coupe excessive rend la passe plus difficile et peut causer un rebond. Pour s'assurer d'obtenir la profondeur de coupe prévue, toujours abaisser la table un peu plus que nécessaire, puis la relever à la hauteur désirée.
- Effectuer les passes sans arrêter la planche ou la tirer en arrière.

VERROUILLAGE DU COMMUTATEUR MARCHÉ / ARRÊT

Voir la figure 25.

- Pour mettre la scie en MARCHÉ (I) et relever le commutateur.
- Pour ARRÊTER (O) la scie et abaisser le commutateur.
- Retirer la clé du commutateur. Ranger la clé en lieu sûr.

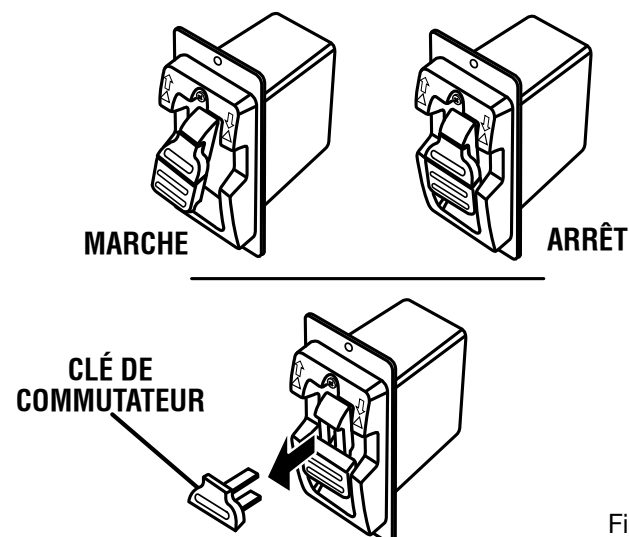


Fig. 25

UTILISATION

AVANT DE S'ÉLOIGNER DE LA DÉGAUCHISSEUSE / RABOTEUSE

- Mettre le commutateur en position d'ARRÊT (O). Attendre l'arrêt complet de la machine.
- Retirer la clé du commutateur. Ranger la clé en lieu sûr.
- Débrancher la machine.
- Assurer la sécurité des enfants dans l'atelier.
- Verrouiller l'atelier.

UTILISATION DE BLOCS OU BÂTONS POUSSOIRS

Voir la figure 26.

Un bâton poussoir est un instrument permettant de pousser une pièce contre la lame au lieu de le faire avec la main. Sa forme et sa taille peuvent varier en fonction du travail à exécuter et il peut être réalisé avec une chute de bois. Le bâton doit être plus étroit que la pièce et présenter une découpe à 90° à une extrémité et découpe permettant de le saisir fermement à l'autre.

Un bloc poussoir est muni d'une poignée fixée par des vis noyées, insérées par le dessous. Il doit être utilisé pour les coupes non traversantes.

USAGE DE BLOCS OU BÂTONS POUSSOIRS

Voir la figure 27.

Toujours utiliser un bâton ou bloc poussoir lors du dégauchissage ou du rabotage. Des blocs poussoirs doivent être utilisés pour le rabotage.

Tenir le bloc ou bâton poussoir fermement avec les doigts serrés les uns contre les autres et enserrant la poignée. Placer le bloc ou bâton poussoir à plat sur la planche et pousser la planche contre la table. Ceci contribue à l'obtention d'une coupe de qualité et réduit le risque de rebond.

La pression d'appui doit également être suffisante pour empêcher que le bloc ou bâton poussoir ne glisse ou dérape sur le dessus de la planche lors de son avance vers la tête de coupe.

Utiliser un mouvement main sur main, en veillant à maintenir constamment le contrôle de la pièce. Cela signifie que lorsque la pièce a traversé la tête de coupe, elle doit être maintenue en contact avec la table de sortie.

⚠ AVERTISSEMENT :

Pour éviter le glissement des blocs poussoir en cours d'opération, toujours nettoyer la surface en caoutchouc avec du papier de verre. Tout glissement ou dérapage du bloc poussoir peut entraîner des blessures graves.

⚠ AVERTISSEMENT :

Ne jamais passer la main au dessus de la tête de coupe, quelle que soit l'opération. Le non respect de cet avertissement pourrait entraîner des blessures graves.

Ne jamais raboter de planches de moins de 19 mm d'épaisseur, car elles risquent de se fendre ou de se briser, ce qui accroît le risque de rebond. Les planches de moins de 19 mm d'épaisseur peuvent glisser sous la garde de tête de coupe et se bloquer.

⚠ ATTENTION :

Avant de mettre le commutateur en position de MARCHE, s'assurer que la garde est installée et fonctionne correctement et que sa butée en limite la course.

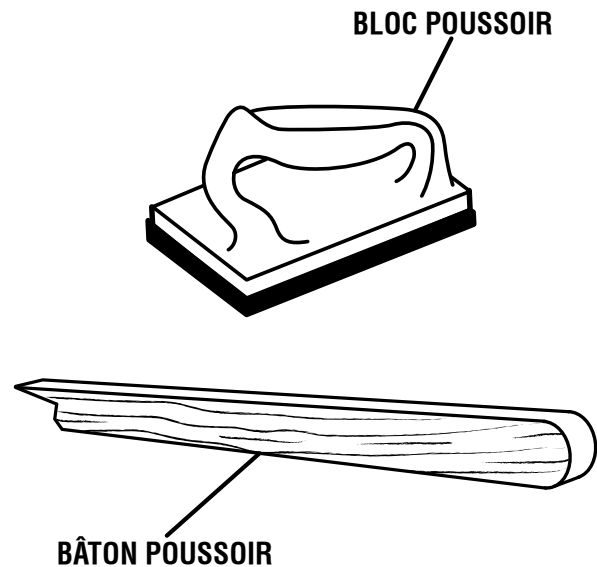


Fig. 26

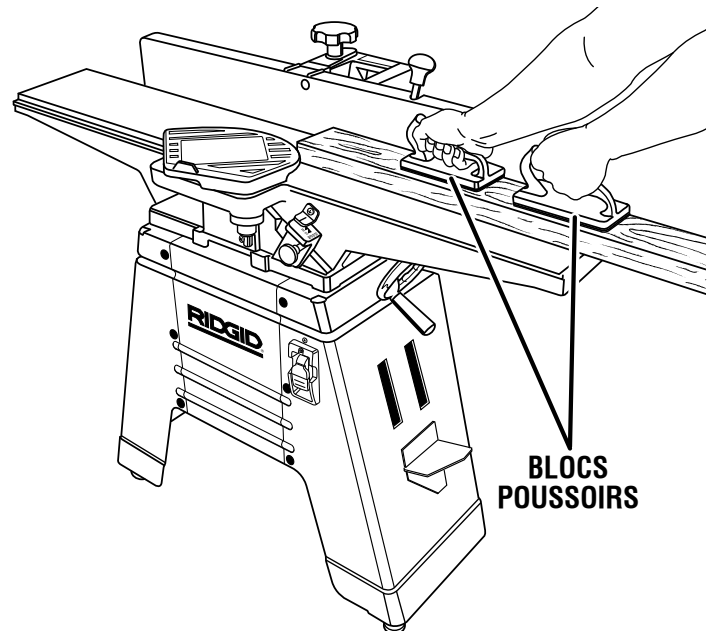


Fig. 27

UTILISATION

VOLANT DE PROFONDEUR DE COUPE

Voir la figure 28.

Tourner le volant vers la droite pour abaisser la table d'entrée. Plus la table est abaissée, plus l'épaisseur de bois rabotée est importante.

Lorsque le volant est tourné vers la gauche, la table se relève, ce qui diminue l'épaisseur de bois rabotée.

L'épaisseur de bois maximum pouvant être rabotée en une seule passe est de 3 mm (1/8 po).

GOUPILLE D'ARRÊT

Voir la figure 29.

La machine est dotée d'une goupille d'arrêt empêchant de raboter ou dégauchir une épaisseur de bois de plus de 3 mm (1/8 po). Le rabotage ou le dégauchissage d'une épaisseur de bois de plus de 3 mm n'est pas recommandé. Pour les opérations de feillure de plus de 3 mm (1/8 po) de profondeur, tirer la goupille pour abaisser la table d'entrée par incréments de 3 mm (1/8 po). La goupille se rétracte automatiquement lorsque la profondeur de coupe est de nouveau réglée entre 0 et 3 mm (1/8 po). Ne jamais effectuer une feillure de 13 mm (1/2 po) en une seule passe.

Procéder par incréments de 3 mm (1/8 po), jusqu'à ce que la profondeur de coupe désirée soit atteinte.

⚠ AVERTISSEMENT :

Pour éviter des blessures graves, ne jamais effectuer de feillures de plus de 13 mm (1/2 po).

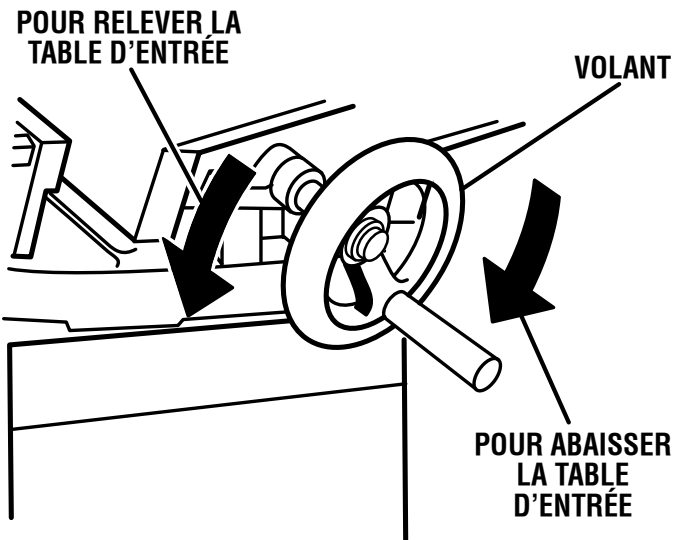


Fig. 28

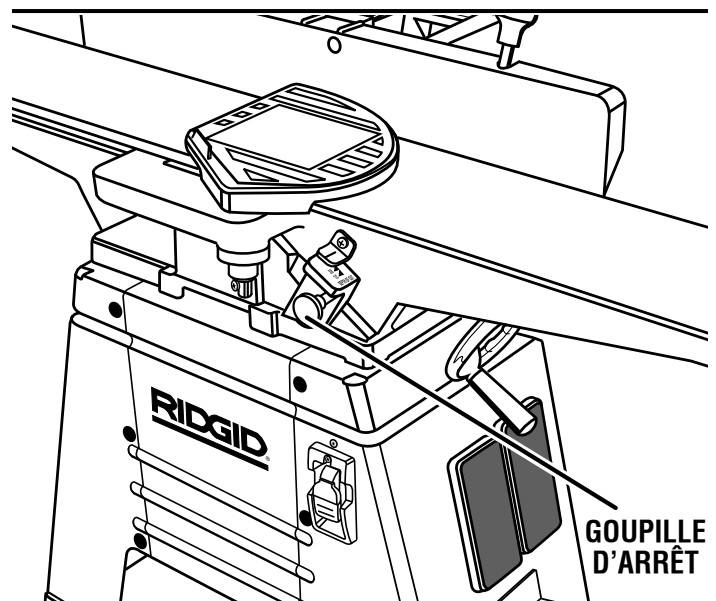


Fig. 29

UTILISATION

AVANCE DES PLANCHES POUR LE RABOTAGE OU LE DÉGAUCHISSAGE

Voir les figures 30 et 31.

Avant de procéder à toute opération de dégauchissage ou de rabotage, s'assurer que les lames sont correctement installées et que leurs vis sont bien serrées. S'assurer que les dispositifs de blocage et de verrouillage sont serrés et qu'aucune pièce ne présente de jeu.

AVERTISSEMENT :

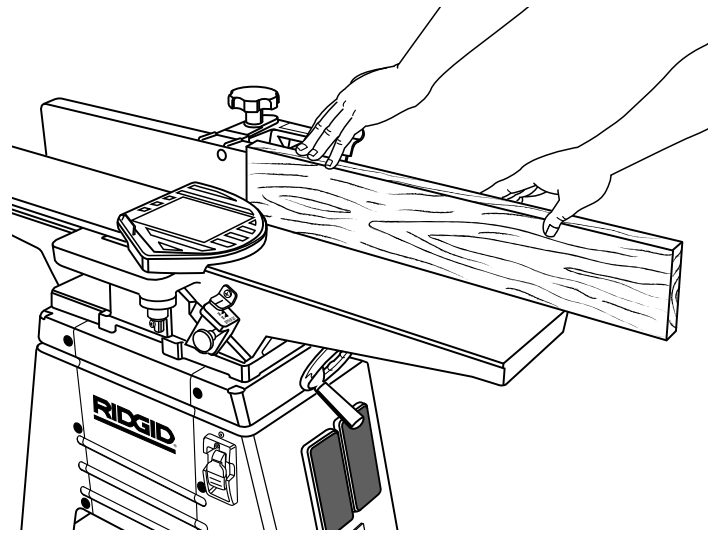
Vérifier la stabilité de la pièce avec et sans les blocs boussoirs avant de mettre la dégauchisseuse en marche. Ne pas prendre cette précaution peut entraîner un rebond et des blessures graves.

- Les pièces longues doivent être soutenues sur les tables d'entrée et de sortie.
- Pour un résultat optimal, utiliser une profondeur de coupe de 0,8 à 1,5 mm (1/32 à 1/16 po) pour la plupart des opérations. Une profondeur de coupe excessive rend la passe plus difficile et peut causer un rebond. Pour s'assurer d'obtenir la profondeur de coupe prévue, toujours abaisser la table un peu plus que nécessaire, puis la relever à la hauteur désirée.
- Dans la mesure du possible, travailler dans le sens du grain. Lorsqu'il est nécessaire de travailler en travers du grain, effectuer des passes très légères et avancer la pièce lentement pour éviter l'écatement, le bris ou un rebond dangereux.
- Appliquer une pression constante sur la pièce et la maintenir contre le guide.
- Une fois que le bord avant de la planche a passé la tête de coupe, déplacer légèrement les mains, afin d'appliquer la pression sur la tête de coupe et la table de sortie, au lieu de la table d'entrée. Garder la pression près de la tête de coupe et sur la table de sortie pour finir la passe.
- Utiliser un mouvement main sur main, en soulevant la main avant et en la plaçant à l'arrière pour continuer l'avance de la pièce.

NOTE : Planifier la position des mains, de façon à ce que les doigts ne risquent pas de glisser et d'entrer en contact avec la tête de coupe. Lorsqu'un seul bloc ou bâton poussoir est utilisé, ne pas placer l'autre main sur la machine, la pièce ou le bloc / bâton poussoir.

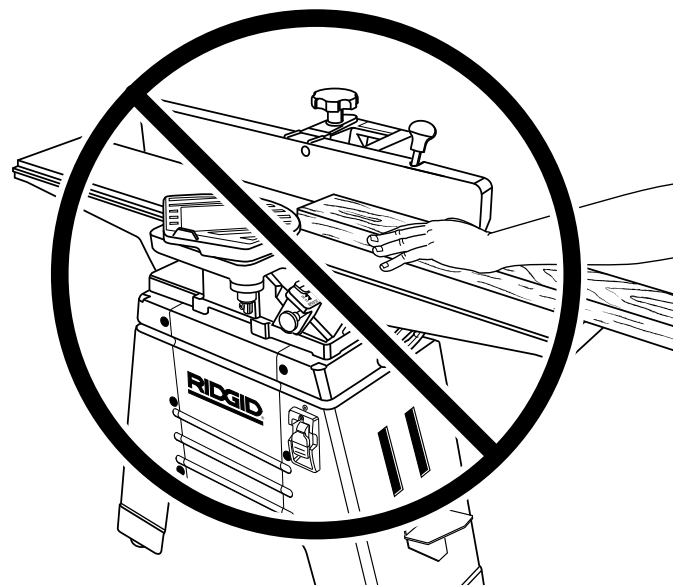
- Avancer la pièce d'un mouvement régulier, jusqu'à ce qu'elle ait été rectifiée sur toute sa longueur. Une hésitation ou un arrêt peut causer une « entame » dans la pièce.

NOTE : S'il est difficile de maintenir une avance régulière, il peut être nécessaire de cirer la table ou le guide.



CORRECT

Fig. 30



INCORRECT

Fig. 31

UTILISATION

RABOTAGE

Voir la figure 32.

Le rabotage consiste à éliminer une certaine épaisseur de bords de la surface la plus large d'une planche pour la rendre plane et lisse.

Le rabotage effectué sur une dégachisseuse n'assure pas nécessairement que la surface rectifiée sera d'équerre ou parallèle aux autres surfaces. Le rabotage sur une dégauchisseuse permet uniquement de lisser et d'aplanir. Si une pièce doit être rabotée et dégauchie, le rabotage doit être effectué en premier. Ceci permet d'obtenir un chant à l'équerre de la face précédemment rabotée.

DÉGAUCHISSAGE

Voir la figure 33.

Le dégauchissage est l'élimination de bois sur le chant d'une planche afin de le rendre droit, lisse et à l'équerre de la face se trouvant contre le guide. Pour assurer l'équerrage, la planche doit être maintenue à plat contre le guide pendant toute la durée de la passe.

BISEAUTAGE / CHANFREINAGE

Voir la figure 34.

⚠ AVERTISSEMENT :

Toujours utiliser des blocs poussoirs pour le biseautage ou le chanfreinage. Le non respect de cet avertissement pourrait entraîner des blessures graves.

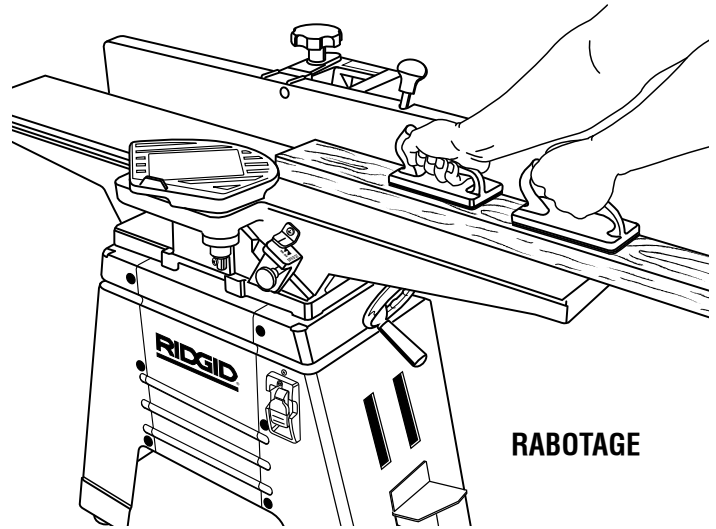
- Régler le guide à l'angle désiré. Le maintenir en position au moyen des boutons des boutons de verrouillage d'angle et de coulisse.
- Effectuer une passe à vide pour vérifier que l'on possède de le contrôle de la pièce.

NOTE : Le chanfreinage consiste à modifier l'angle du bord d'une planche sur seulement une partie de l'épaisseur et le biseautage, à rectifier cet angle sur toute l'épaisseur de la planche.

Normalement un chanfrein est effectué en une seule passe et seulement une portion de l'épaisseur de la planche est taillée. Par conséquent une profondeur de coupe de plus de 1,5 mm (1/16 po) peut être utilisée.

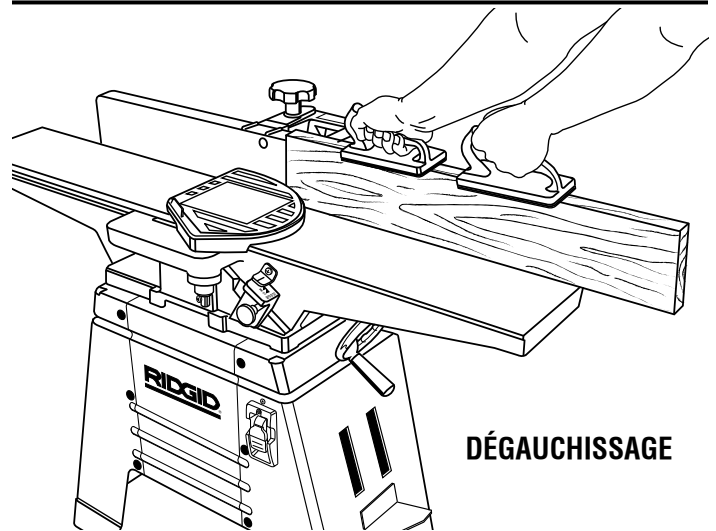
⚠ AVERTISSEMENT :

Ne pas toucher la tête de coupe ou la garde avec les blocs poussoirs. Le non respect de cet avertissement pourrait entraîner des blessures graves.



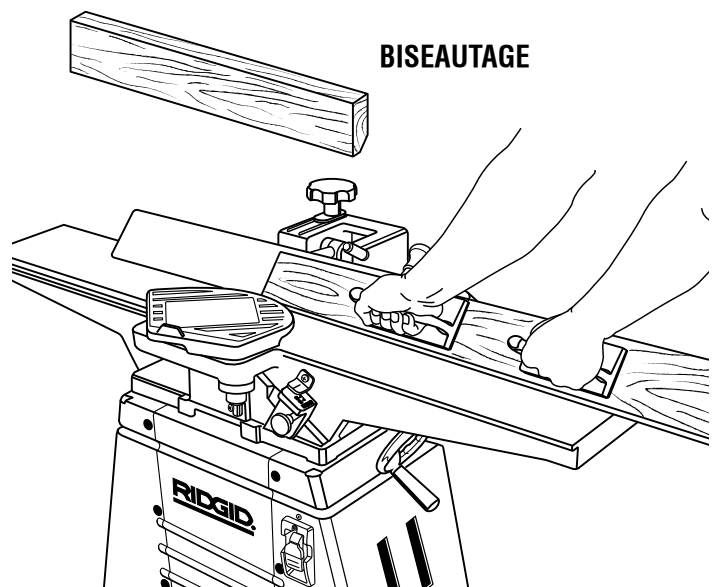
RABOTAGE

Fig. 32



DÉGAUCHISSAGE

Fig. 33



BISEAUTAGE

Fig. 34

UTILISATION

UTILISATION DES BUTÉES D'INCLINAISON DU GUIDE

Voir la figure 35.

AVERTISSEMENT :

Pour réduire les risques d'accident dû à un démarrage accidentel, s'assurer que le commutateur est en position d'ARRÊT (O) et que la machine est débranchée.

Cette machine est dotée de butées à 90, 45 et 135°

Bien que ces butées aient été ajustées en usine, il convient de vérifier leur réglage.

Pour vérifier le réglage des butées :

- Placer le rapporteur d'angle inclus sur la table de sortie et vérifier l'angle du guide en position 90°.

NOTE : Pour assurer la précision et la répétabilité de l'angle, le bas du côté sortie du guide doit s'appuyer fermement sur la table de sortie et la tête de la vis de butée. S'assurer que la table d'entrée n'empêche pas la précision de la mesure.

Cette table doit être abaissée d'au moins 1,5 mm (1/16 po). Utiliser les butées pour vérifier la précision de l'angle du guide. Si l'angle du guide par rapport à la table de sortie n'est pas exact sur les positions 90, 45 ou 135°, procéder comme suit :

RÉGLAGE DU GUIDE POUR UN ANGLE DE 90°

Voir la figure 36.

- Desserrer le levier de verrouillage de biseau.
- S'assurer que le guide est fermement appuyé sur la butée et vérifier l'angle au moyen du rapporteur inclus.
- Desserrer l'écrou de blocage de la vis de butée à 90°.
- À l'aide du rapporteur, régler le guide sur l'angle désiré et serrer le levier de verrouillage de biseau.
- Tourner la vis de butée jusqu'à ce qu'elle touche la butée. Serrer l'écrou de blocage.
- Desserrer le levier de verrouillage de biseau.
- Incliner le guide à un angle quelconque, puis le remettre en place contre la butée de 90°. Vérifier la précision de l'angle au moyen du rapporteur.

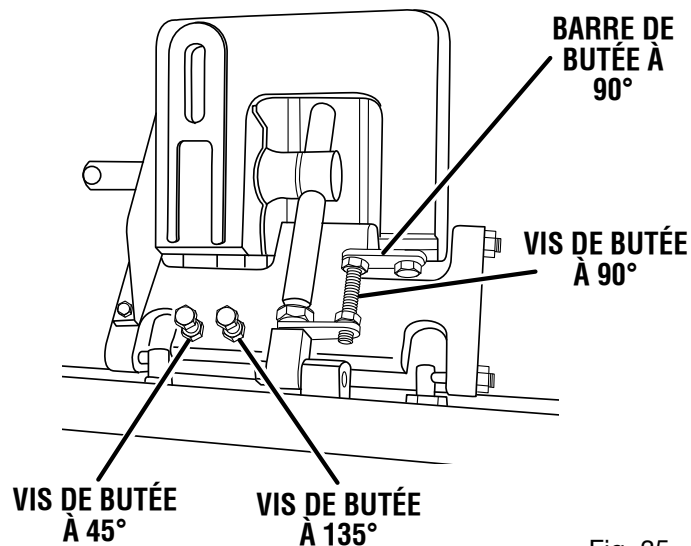


Fig. 35

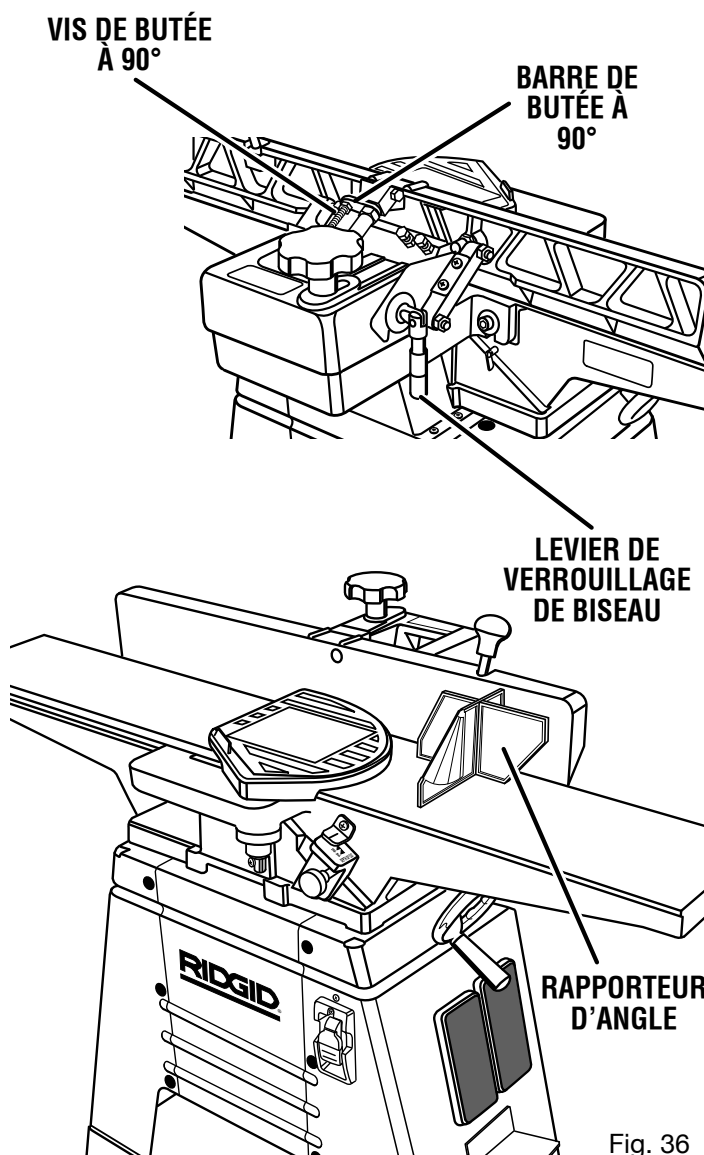


Fig. 36

UTILISATION

RÉGLAGE DU GUIDE POUR UN ANGLE DE 135°

Voir la figure 37.

- Desserrer le levier de verrouillage de biseau.
- Écarter la barre de butée à 90° et appuyer le guide sur la butée à 135°.
- S'assurer que le guide est fermement appuyé sur la butée et vérifier l'angle au moyen du rapporteur inclus.
- À l'aide du rapporteur, régler le guide sur 135° et serrer le levier de verrouillage de biseau.
- Desserrer l'écrou de blocage de la vis de butée à 135°.
- Tourner la vis de butée jusqu'à ce qu'elle touche la butée. Serrer l'écrou de blocage.
- Desserrer le levier de verrouillage de biseau.
- Incliner le guide à un angle quelconque, puis le remettre en place contre la butée de 135°. Vérifier la précision de l'angle au moyen du rapporteur.

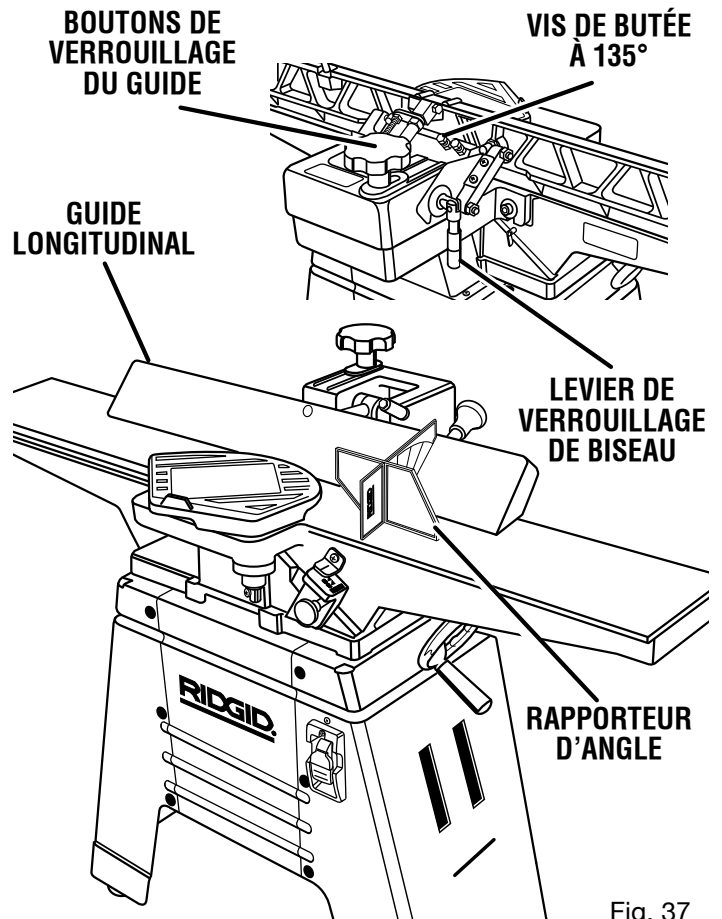


Fig. 37

UTILISATION

FEUILLURE

Voir la figure 38.

La feuillure est une opération similaire au dégauchissage, excepté que seule une partie du chant est rectifiée.

⚠ AVERTISSEMENT :

Ne jamais retirer la garde de tête de coupe, quelle que soit l'opération. Le non respect de cet avertissement pourrait entraîner des blessures graves.

- Maintenir solidement la pièce contre le guide. Ne pas effectuer de passes de plus de 3 mm (1/8 po) de profondeur.
- Pour obtenir une feuillure plus profonde, procéder par incréments de 3 mm (1/8 po). Lors de l'exécution d'une feuillure, la pièce étant soutenue par la table de sortie, la table d'entrée doit être abaissée après chaque passe.

UTILISATION DU GUIDE COULISSANT

Voir la figure 39.

⚠ AVERTISSEMENT :

Les pièces en mouvement sont dangereuses. Éteindre la dégauchisseuse / raboteuse et attendre l'arrêt complet de toutes les pièces avant de régler le guide. Ne pas prendre cette précaution pourrait entraîner des blessures graves infligées par la tête de coupe ou d'autres pièces en mouvement.

Lorsque l'usage de toute la largeur des lames n'est pas nécessaire, le guide peut être déplacé pour bénéficier de la partie la plus tranchante des lames.

Lorsque les lames sont neuves ou viennent d'être affûtées, le guide doit être positionné complètement à l'arrière des tables d'entrée et de sortie, mais pas au-delà de l'extrémité des lames.

La plupart des opérations (habituellement, le dégauchissage) sont exécutées avec le guide sur cette position. À mesure que les lames s'émoussent, le guide peut être déplacé pour bénéficier de leur partie la plus tranchante.

Pour déplacer le guide, arrêter la dégauchisseuse / raboteuse, desserrer le bouton de verrouillage du guide et placer le guide sur la position désirée.

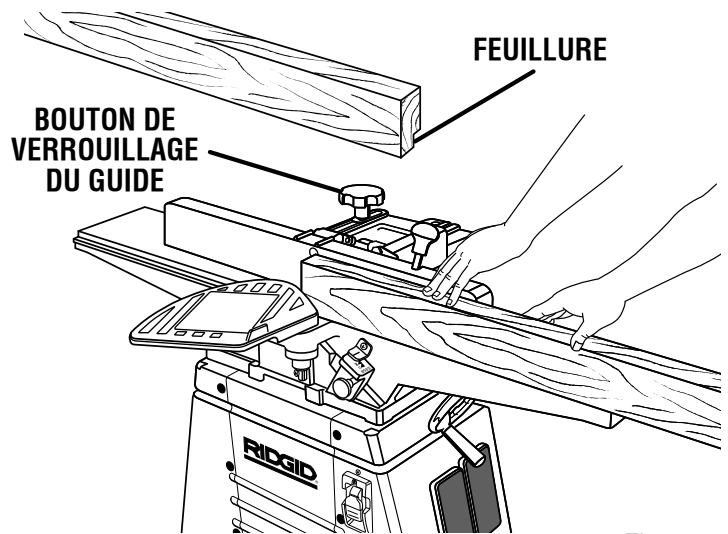


Fig. 38

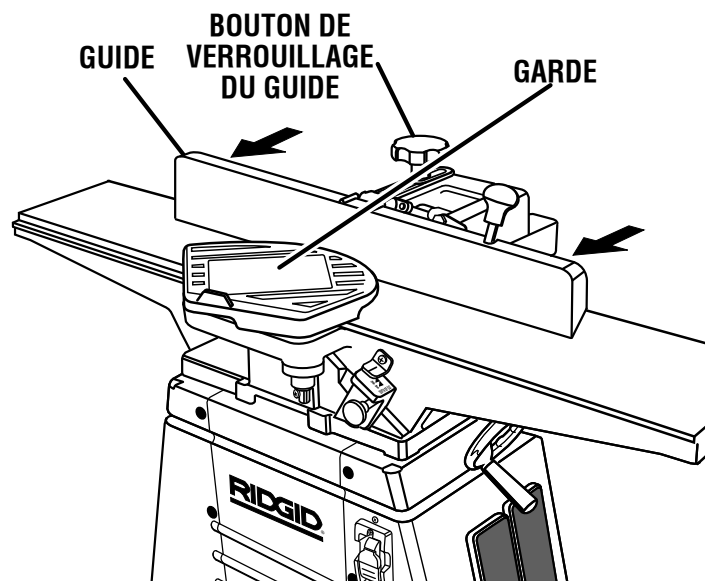


Fig. 39

RÉGLAGES

⚠ AVERTISSEMENT :

Avant d'effectuer tout réglage, s'assurer que l'outil est débranché et que son commutateur est en position d'ARRÊT (O). Le non respect de cet avertissement pourrait entraîner des blessures graves.

ALIGNEMENT ET RÉGLAGE DES LAMES

Voir les figures 40 et 41.

Les lames ont été ajustées en usine et aucun réglage ne devrait être nécessaire. Si, après un certain temps, l'alignement n'est plus correct, procéder comme suit.

⚠ AVERTISSEMENT :

Les lames sont extrêmement tranchantes. Ne pas laisser la main ou les doigts toucher les lames. Le non respect de cet avertissement pourrait entraîner des blessures graves.

- Débrancher la dégauchisseuse / raboteuse

Vérification de l'alignement :

- Abaisser la table d'entrée en tournant le volant de profondeur de coupe vers la droite.
- Placer le guide à l'arrière de la dégauchisseuse, à environ 6,5 mm (1/4 po) au-delà de l'extrémité des lames. Verrouiller le guide dans cette position.
- Retirer la garde de la tête de coupe.
- Placer une règle sur la table de sortie de manière à ce qu'elle s'étende au-delà de la tête de coupe, comme illustré.
- Ajuster la table de sortie, de façon à ce que la règle touche tout juste d'une des lames lorsque la tête de coupe est tournée. À l'aide de la règle, vérifier un côté de la lame puis l'autre. Si la lame soulève la règle ou ne la touche pas, régler la lame selon le besoin (voir la procédure ci-dessous). Vérifier les trois lames de la même façon.

Réglage des lames :

- Desserrer les vis d'arrêt de la lame au moyen de la clé de 8 mm, en tournant cette dernière en direction du guide. Retirer toutes les pièces et les nettoyer soigneusement dans un produit pour résine et gommés. Réinstaller les pièces comme illustré, en veillant à ce que la lame dépasse de la tête de coupe de 1,5 mm (1/16 po), comme le montre l'illustration.
- Placer une règle sur la table de sortie de manière à ce qu'elle s'étende au-delà de la tête de coupe, comme illustré. Placer la règle sur l'extrémité de la lame la plus proche du guide.
- Faire tourner la tête de coupe, de façon à ce que la lame à régler soit à son point le plus haut.

- Tourner la vis de réglage la plus proche de la règle de manière à ce que la lame touche tout juste la règle lorsque la tête de coupe est tournée, avec aucun espace entre la surface de la table de sortie et la règle.
- Placer la règle à l'autre extrémité de la tête de coupe et répéter l'étape ci-dessus avec la seconde vis de réglage.
- Serrer les vis des lames.
- Répéter la procédure de réglage pour les deux autres lames.

NOTE : Faire effectuer deux tours complets à la tête de coupe, pour s'assurer qu'elle tourne librement et que les lames ne touchent pas la table de la dégauchisseuse.

- À l'aide de la règle, vérifier de nouveau rapidement que les trois lames sont réglées et alignées correctement.

NOTE : Voir l'étape 40 pour la remise en place des lames.

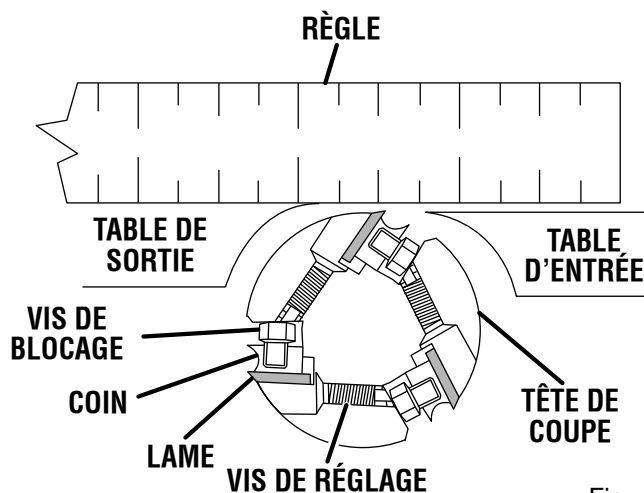


Fig. 40

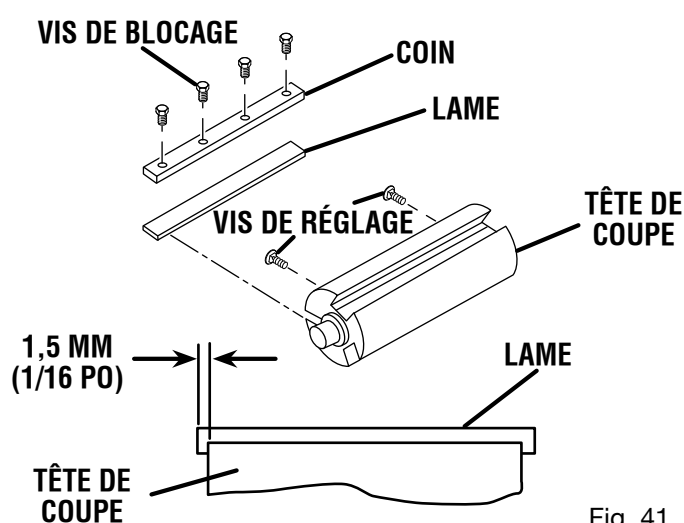


Fig. 41

RÉGLAGES

RÉGLAGE DE LA TABLE DE SORTIE

Pour vérifier cet alignement, procéder comme suit :
Voir la figure 42.

⚠ AVERTISSEMENT :

Pour réduire les risques d'accident dû à un démarrage accidentel, s'assurer que le commutateur est en position d'ARRÊT (O) et que la machine est débranchée.

NOTE : La table de sortie a été ajustée en usine et aucun réglage ne devrait être nécessaire.

- Placer une règle sur la table de sortie de manière à ce qu'elle s'étende au-delà de la tête de coupe, comme illustré.
- Retirer la tête de coupe à la main. Les lames ne devraient pas toucher la règle. Si une lame est trop haute ou trop basse à son extrémité, la régler selon le besoin.
- Si la table de sortie doit être réglée, retirer les vis papillon de blocage de la table. Relever ou abaisser la table de sortie selon le besoin, au moyen du bouton de réglage de hauteur, jusqu'à ce que la table se trouve exactement au niveau des lames de la tête de coupe, à leur point de rotation le plus haut.
- Une fois la table à la hauteur correcte, l'assujettir en place au moyen des vis papillon de blocage. Ce réglage ne doit être effectué de nouveau qu'après affûtage des lames.
- Si la table de sortie est trop haute, la surface rectifiée sera incurvée, comme le montre l'illustration.
- Si la table de sortie est trop basse, le rabotage de la pièce sera irrégulier.
- À titre de vérification finale, avancer légèrement une planche sur la tête de coupe, sur une distance de 15 à 20 cm (6 à 8 po). Cette planche doit reposer uniformément sur les deux tables, comme illustré, sans espace au-dessous de la surface rabotée.

RÉGLAGE DES LARDONS DE LA TABLE

Voir la figure 43.

La machine est dotée de « lardons » pour reprendre le jeu entre les dentures de jonction de la base et des tables d'entrée et de sortie de la dégauchisseuse. Un réglage correct des lardons est nécessaire au bon fonctionnement de la dégauchisseuse. Les lardons ont été ajustés en usine et aucun réglage ne devrait être nécessaire. Toutefois, si un réglage s'avère nécessaire, procéder comme suit :

- Desserrer chacun des écrous de blocage. S'assurer que les verrouillages de la table sont également desserrés.
- Serrer chacune des vis de réglage à la main jusqu'à ce qu'elle « bute ». Ne pas trop serrer les vis.
- Vérifier de nouveau le jeu de la table. Si la table présente toujours du jeu, reprendre la procédure ci-dessus. Si la table ne présente plus de jeu, serrer les écrous de blocage, sans permettre aux vis de tourner.
- Vérifier que la table peut être relevée et abaissée librement au moyen du volant de réglage de hauteur. Si la résistance est trop grande, desserrer les vis de réglage et reprendre la procédure.

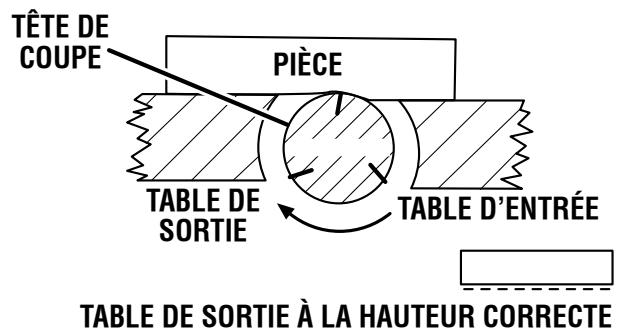
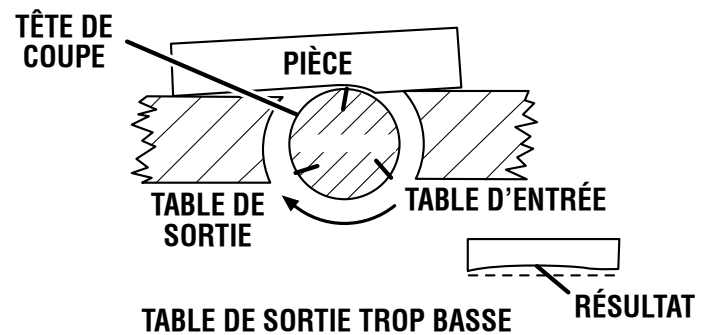
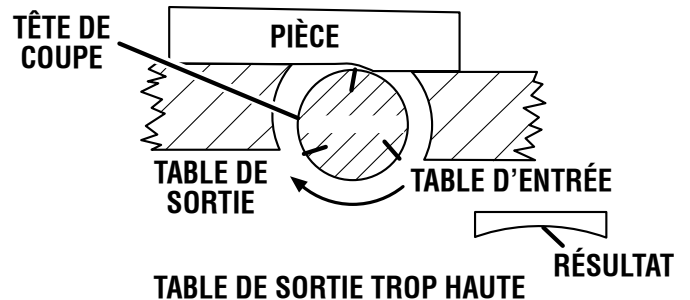
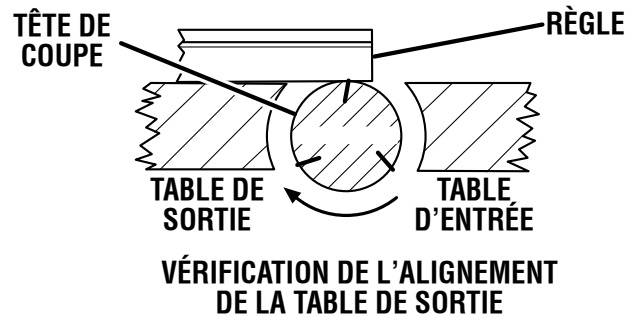
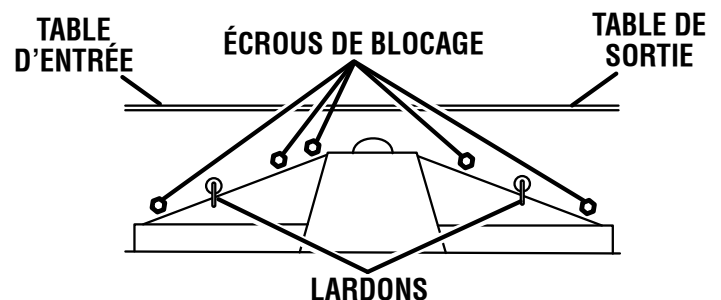


Fig. 42



RÉGLAGES SITUÉS À L'ARRIÈRE DE LA TABLE

Fig. 43

RÉGLAGES

UTILISATION DU RAPPORTEUR D'ANGLE

Voir la figure 44.

Un rapporteur, permettant de régler correctement l'angle du guide, est fourni avec la dégauchisseuse RIDGID. Assembler les deux pièces du rapporteur, de façon à ce qu'elles se croisent à angle droit. Le rapporteur présente plusieurs faces pour quelques-uns des réglages d'angle les plus courants. Ces angles sont de 90, 45, 30 et 22,5°. L'une des faces est graduée de 0° à 45 pour la mesure des angles non fournis. Il suffit de placer le rapporteur sur la table de sortie, à l'extrémité du guide, comme illustré et de régler à l'angle désiré.

RÉGLAGE DE LA RALLONGE DE TABLE

Voir la figure 45.

La rallonge de table a été ajustée en usine et aucun réglage ne devrait être nécessaire. Si la rallonge s'est dérégulée en cours de transport, l'aligner sur la table de sortie, en procédant comme suit.

- Desserrer les vis six pans de fixation de la rallonge sur la table de sortie.
- À l'aide d'une règle, ajuster la rallonge de manière à ce qu'elle soit de niveau avec la table de sortie.
- Resserrer les vis et vérifier de nouveau l'alignement.

RÉGLAGE DU RESSORT DE GARDE

Voir la figure 46.

- Retirer la vis à tête bombée du bas du montant de la garde de tête de coupe.

NOTE : La butée de la garde de tête de coupe limite la course de cette dernière. Ne jamais modifier la butée ou retirer la garde de la tête de coupe avant une opération quelconque.

- Relâcher la tension de la garde de tête de coupe en tournant le bouton de réglage vers la droite. Retirer la garde de la tête de coupe.
- Ajuster la tension du ressort en tournant le bouton de réglage de 1/2 tourne à la fois, et réinsérer le montant de la garde.
- Vérifier de nouveau le fonctionnement de la garde, comme décrit plus haut.

NOTE : Ne pas trop tendre le ressort. Une tension excessive pourrait causer la rupture prématurée du ressort ou de la garde. Si le ressort ou la garde se brise ou ne fonctionne pas correctement, ne pas utiliser la machine. Remplacer les pièces défectueuses avant de remettre la machine en service.

- Une fois le réglage effectué, remettre la vis à tête bombée en place dans le bas du montant de la garde.

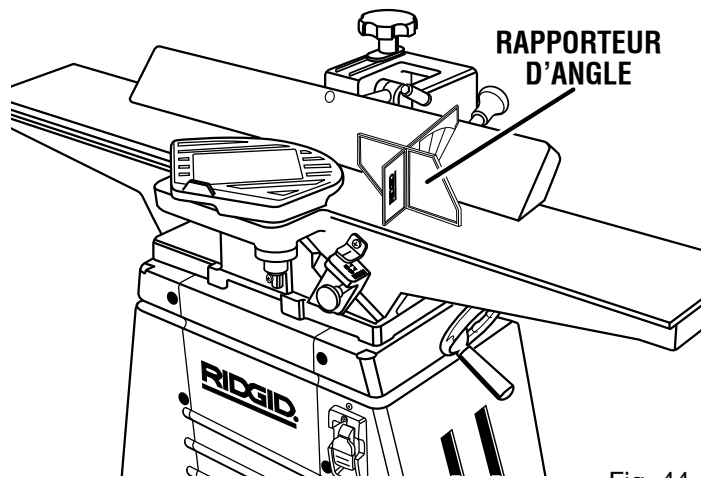


Fig. 44

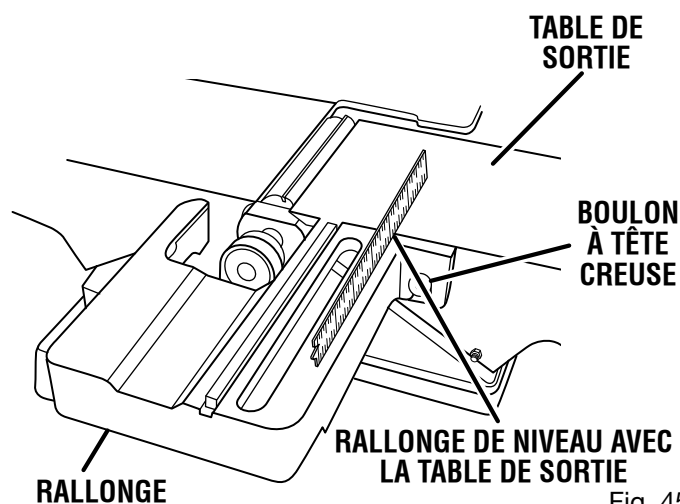


Fig. 45

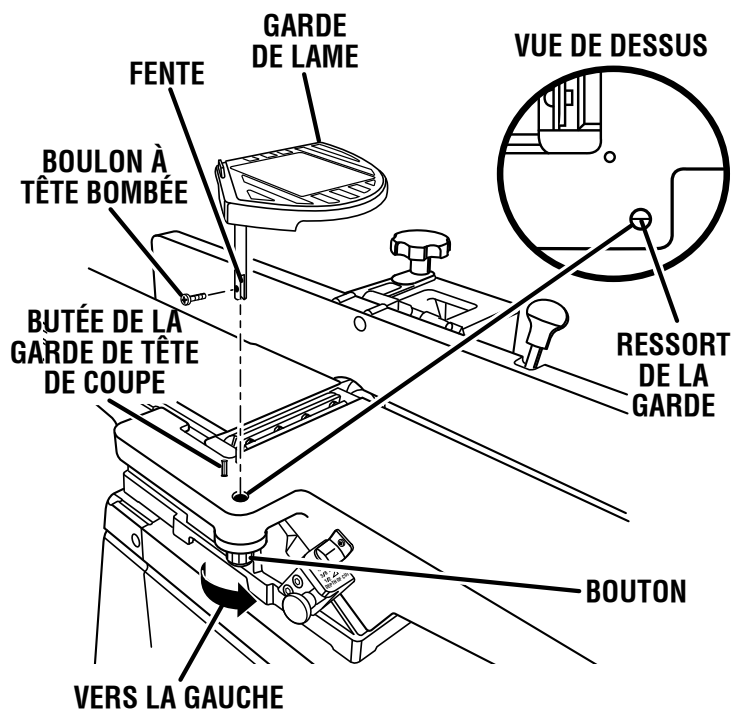


Fig. 46

ENTRETIEN

AVERTISSEMENT :

Utiliser exclusivement des pièces RIDGID d'origine pour les réparations. L'usage de toute autre pièce pourrait créer une situation dangereuse ou endommager l'outil.

AVERTISSEMENT :

Toujours porter des lunettes de sécurité munies d'écrans latéraux lors de l'utilisation d'outils motorisés ou des opérations de nettoyage à l'air comprimé. Si une opération dégage de la poussière, porter également un masque anti-poussière.

ENTRETIEN GÉNÉRAL

Éviter d'utiliser des solvants pour le nettoyage des pièces en plastique. La plupart des matières plastiques peuvent être endommagées par divers types de solvants du commerce. Utiliser un chiffon propre pour éliminer la saleté, la poussière, l'huile, la graisse, etc.

Ne pas laisser la sève s'accumuler sur les tables, le guide, la garde, la tête de coupe ou les lames. Nettoyer ces pièces avec un solvant approprié.

Appliquer une mince couche de cire en pâte sur les tables et le guide afin que les pièces glissent aisément. La cire empêche également la rouille.

Ne pas laisser les copeaux s'accumuler au dessous de la dégauchisseuse / raboteuse.

Si le cordon d'alimentation est usé, coupé ou endommagé de quelque façon que ce soit, le faire remplacer immédiatement.

Toutes les réparations du moteur doivent être confiées à un centre de réparations agréé. Ne pas respecter cette mise en garde peut entraîner l'annulation de la garantie.

NOTE : La vitesse de ce moteur ne peut être ni réglée, ni modifiée.

Les moteurs utilisés sur les outils de menuiserie sont particulièrement susceptibles à l'accumulation de sciure et de copeaux, qui doivent être soufflés ou aspirés fréquemment pour ne pas empêcher une ventilation correcte.

AVERTISSEMENT :

Ne jamais laisser de liquides tels que le fluide de freins, l'essence, les produits à base de pétrole, les huiles pénétrantes, etc., entrer en contact avec les pièces en plastique. Les produits chimiques peuvent endommager, affaiblir ou détruire le plastique, ce qui peut entraîner des blessures graves.

Les outils électriques utilisés sur la fibre de verre, le placoplâtre, les mastics de bouchage ou le plâtre s'usent

plus vite et sont susceptibles de défaillance prématurée, car les particules et les éclats de fibre de verre sont fortement abrasifs pour les roulements, balais, commutateurs, etc. Toutefois, si l'outil a été utilisé sur l'un de ces matériaux, il est de le nettoyer à l'air comprimé.

LUBRIFICATION

Tous les roulements de cet outil sont garnis d'une quantité de graisse de haute qualité, suffisante pour la durée de vie de l'outil, dans des conditions d'utilisation normales. Aucune autre lubrification n'est donc nécessaire.

Les pièces ci-dessous doivent être lubrifiées périodiquement avec de l'huile moteur SAE no. 20 ou no. 30. *Voir la figure 47.*

- Pièce d'écartement et coulisse de queue d'aronde.
- Vis d'élévation (si nécessaire nettoyer avant de lubrifier).

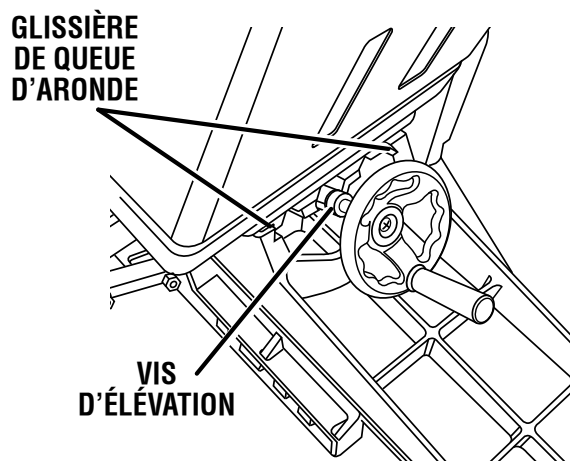


Fig. 47

MAINTIEN DE LA SÉCURITÉ DU MOTEUR

NOTE : Pour éviter tout risque de dommages, ce moteur doit être nettoyé fréquemment par aspiration ou jet d'air comprimé pour empêcher l'accumulation de sciure, pouvant nuire à la ventilation correcte du moteur.

- Cette machine doit être branchée sur une prise secteur présentant la tension correcte et une capacité de 15 A et dotée d'un disjoncteur ou d'un fusible temporisé de 15 A. L'usage d'un fusible de capacité incorrecte peut endommager le moteur.
- Si le moteur ne démarre pas, mettre immédiatement le commutateur en position d'arrêt et débrancher la machine. S'assurer que la tête de coupe tourne librement. Si c'est le cas, essayer de relancer le moteur. S'il ne démarre toujours pas, voir le « Tableau de dépannage du moteur ».
- Des « grillages » de fusibles ou déclenchement de disjoncteurs fréquents peuvent se produire :
 - Si le moteur est surchargé - Une surcharge peut se produire si la pièce est avancée trop rapidement ou si la machine est arrêtée et remise en marche un trop grand nombre de fois au cours d'une courte période.
 - Si la tension est inférieure ou supérieure de 10% à la valeur nominale indiquée sur la plaquette signalétique.

ENTRETIEN

Les fortes charges, cependant, exigent que la tension aux bornes du moteur soit exactement celle indiquée pour le modèle.

- Si des lames de type incorrect ou émoussées sont utilisées.
- La plupart des problèmes de moteurs sont causés par des connexions desserrées ou incorrectes, une surcharge, une tension insuffisante (par exemple due à un circuit d'alimentation dont les fils sont de trop faible calibre) ou un cordon d'alimentation trop long. Toujours vérifier les connexions, la charge et la tension du circuit lorsque le moteur ne fonctionne pas de façon satisfaisante. Consulter le Tableau de calibre de fils pour déterminer le calibre et la longueur appropriés.

AFFÛTAGE DES LAMES

Voir la figure 48.

Les lames peuvent être affûtées à l'aide d'une meule en pierre à l'huile.

NOTE : S'assurer que le centre de la pierre n'est pas usé. La pierre doit être plate.

Veiller à ébavurer le côté plat.

AVERTISSEMENT :

Les lames sont extrêmement tranchantes. Ne pas laisser la main ou les doigts toucher les lames. Le non respect de cet avertissement pourrait entraîner des blessures graves.

Si les lames sont ébréchées, elles doivent être remplacées ou meulées. Les lames peuvent être affûtées plusieurs fois jusqu'à ce que leur largeur soit réduite à 1,5 cm (9/16 po).

Ne jamais installer de lames non équilibrées ou affûter des lames de moins de 1,5 cm (9/16 po) de large.

ACCESSOIRES

Les accessoires ci-dessous sont en vente dans les magasins Home Depot :

Lames de dégauchisseuse.....	AC8600
Blocs poussoirs.....	AC8601
Kit d'aspiration	AC8602

AVERTISSEMENT :

Les outils et accessoires disponibles actuellement pour cet outil sont listés ci-dessus. Ne pas utiliser d'outils ou accessoires non recommandés par le fabricant pour cet outil. L'utilisation de pièces et accessoires non recommandés peut entraîner des blessures graves.

Faire affûter les lames par une personne qualifiée.

Voir « Services d'affûtage » dans les pages jaunes de l'annuaire téléphonique.

NOTE : Les lames peuvent présenter une seconde surface usinée très étroite et très proche du tranchant. Ne meuler que la portion de la lame qui effectue la coupe.

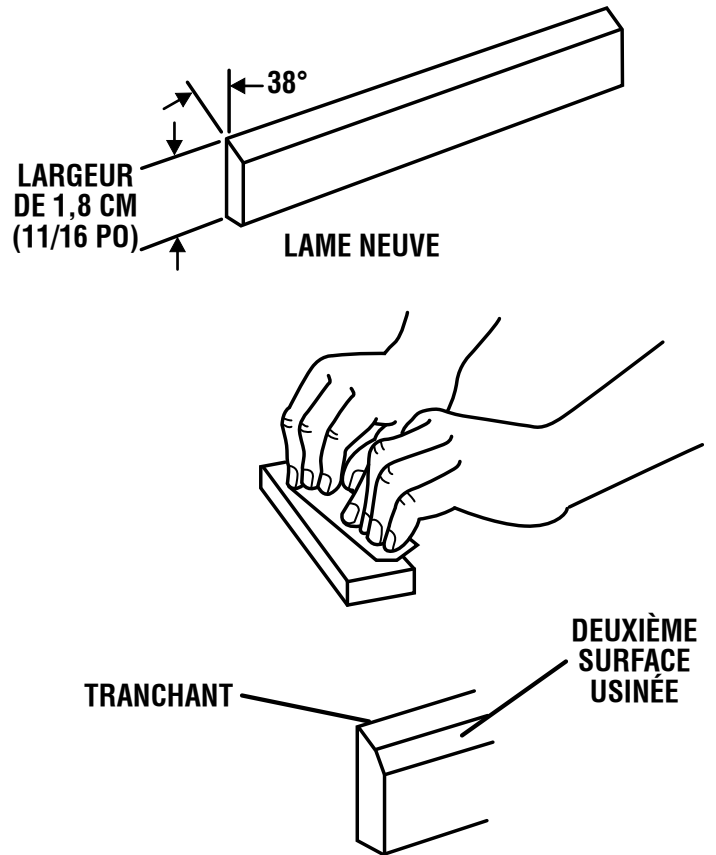


Fig. 48

DÉPANNAGE

Problème	Cause	Solution
Le moteur ne fonctionne pas	Commutateur marche / arrêt défectueux	Consulter un centre de réparations agréé. Toute réparation de ce dispositif électrique peut créer un danger si elle n'est pas effectuée par un technicien qualifié. Un service de dépannage est à la disposition des utilisateurs, au centre de réparations agréé le plus proche.
	Condensateur défectueux	
	Moteur défectueux	
	Tension insuffisante	Voir la section « Dépannage (moteur) ».
	Tension de courroie excessive	Ajuster la tension de la courroie.
La planche heurte la table de sortie après être passée sur la tête de coupe	Table de sortie incorrectement réglée au-dessus des lames	Ajuster la table de sortie conformément aux instructions de la section « Réglage de la table de sortie ».
Ondulations de la surface rabotée	Une lame est plus haute que les autres	Ajuster les lames conformément aux instructions de la section « Entretien ».
	Avance de la planche trop rapide	Avancer la pièce plus lentement.
Rebonds	Les lames sont réglées trop haut au-dessus de la table de sortie ou ne sont pas de niveau par rapport à cette table	Ajuster les lames conformément aux instructions de la section « Entretien ».
Surface rabotée pas droite	Table de sortie dérégulée	Ajuster la table de sortie conformément aux instructions de la section « Réglage de la table de sortie ».
Entame en fin de coupe	Table de sortie dérégulée	Ajuster la table de sortie conformément aux instructions de la section « Réglage de la table de sortie ».
Coupes à 45, 90 et 135° imprécises	Butées de guide pas correctement réglées	Ajuster les butées de guide conformément aux instructions de la section « Alignement ».
	Le bas du guide ne repose pas régulièrement sur la table de sortie du fait de la présence de copeaux	Éliminer les copeaux du dessous du guide.
Table d'entrée ou de sortie desserrée	Lardon desserré	Serrer les lardons.
La garde de la tête de coupe ne fonctionne pas correctement	Ressort de rappel cassé	Consulter un centre de réparations agréé s'il est défectueux.
	Ressort de rappel est dérégulé	Ajuster la tension du ressort.

DÉPANNAGE

Problème	Cause	Solution
Bruit excessif	Moteur	Faire examiner le moteur par un technicien qualifié. Un service de dépannage est à la disposition des utilisateurs, au centre de réparations agréé le plus proche.
	Vis d'arrêt de la poulie desserrée.	Serrer la vis d'arrêt.
Le moteur ne développe pas sa pleine puissance.	Circuit surchargé par des lampes, appareils et autres moteurs	Ne pas utiliser d'autres appareils ou moteurs sur le même circuit que la dégauchisseuse.
NOTE : Tension insuffisante (la puissance du moteur diminue rapidement lorsque la tension aux bornes du moteur baisse. Par exemple, une réduction de 10% de la tension entraîne une diminution de 19% de la puissance maximum du moteur et une réduction de 20% de la tension cause une réduction de 36% de la puissance maximum.	Fils de calibre insuffisant ou circuit trop long	Utiliser des fils de plus gros calibre ou réduire la longueur du circuit. Voir la section « Caractéristiques » du moteur et exigences électriques”.
	Surcharge générale de la centrale électrique	Demander à la compagnie d'électricité de vérifier la tension.
Le moteur démarre lentement ou ne parvient pas à pleine vitesse	Enroulements brûlés ou ouverts	Faire réparer ou remplacer le moteur.
	Tension de courroie d'entraînement excessive	Ajuster la tension de la courroie.
	Defective start capacitor	Faire remplacer le condensateur de démarrage.
Le moteur surchauffe	Moteur surchargé	Avancer la pièce sur les lames.
	Refroidissement insuffisant (circulation d'air sur le moteur bloquée par l'accumulation de sciure à l'intérieur du moteur)	Éliminer l'accumulation de sciure pour permettre une circulation d'air normale autour du moteur. Voir la section « Entretien et Lubrification ».
Le moteur cale, (ce qui grille les fusibles ou déclenche les disjoncteurs).	Tension trop basse pour permettre au moteur de parvenir à pleine vitesse	Demander à la compagnie d'électricité de vérifier la tension.
	Capacité insuffisante des fusibles ou disjoncteurs	Installer des fusibles ou disjoncteurs de capacité suffisante. Voir la section « Connexions électriques ».
	Circuit surchargé par des lampes, appareils et autres moteurs	Ne pas utiliser d'autres appareils ou moteurs sur le même circuit que la dégauchisseuse.
Fusibles grillés ou disjoncteurs déclenchés fréquemment.	Moteur surchargé	Avancer la pièce plus lentement.
	Capacité insuffisante des fusibles ou disjoncteurs	Installer des fusibles ou disjoncteurs de capacité suffisante. Voir la section « Connexions électriques ».
	Circuit surchargé par des lampes, appareils et autres moteurs	Ne pas utiliser d'autres appareils ou moteurs sur le même circuit que la dégauchisseuse.

GARANTIE

OUTILS ÉLECTRIQUES À MAIN ET D'ÉTABLI RIDGID® GARANTIE LIMITÉE DE SERVICE DE 3 ANS

Une preuve d'achat doit être présentée pour toute demande de réparation sous garantie.

Cette garantie se limite aux outils électriques à main et d'établi RIDGID® achetés à partir du 1/2/04. Ce produit est fabriqué par One World Technologies, Inc., sous licence de RIDGID, Inc. Toutes les correspondances relatives à la garantie doivent être adressées à One World Technologies, Inc. à l'attention du : Service technique des outils motorisés à main et d'établi RIDGID, au 1-866-539-1710 (appel gratuit).

POLITIQUE DE SATISFACTION ASSURÉE DE 90 JOURS

En cas de non satisfaction pour quelque raison que ce soit au cours des 90 jours suivant la date d'achat de cet outil à main ou d'établi RIDGID®, il pourra être retourné au point de vente pour échange ou remboursement intégral. Pour obtenir un outil en échange, l'équipement original devra être retourné, dans son emballage d'origine, accompagné d'une preuve d'achat. L'outil fourni en échange sera couvert par la garantie limitée pour le restant de la période de validité de 3 ANS.

CE QUI EST COUVERT PAR LA GARANTIE LIMITÉE DE TROIS ANS GARANTIE LIMITÉE DE SERVICE

Cette garantie sur les outils électriques à main et d'établi RIDGID® couvre tous les vices de matériaux et de fabrication, ainsi que les articles de consommation courants, tels que balais, mandrins, moteurs, commutateurs, cordons, engrenages et même les batteries d'outils sans fil de cet outil RIDGID®, pour une période de trois ans, à compter de la date d'achat. Les garanties d'autres produits RIDGID® peuvent être différentes.

RÉPARATIONS SOUS GARANTIE

Pour toute réparation sous garantie, cet outil RIDGID® devra être retourné, en port payé, à un centre de réparations RIDGID® pour outils motorisés à main et d'établi agréé. L'adresse du centre de réparations agréé le plus proche

®

défaut de fabrication et réparera ou remplacera (à notre choix) gratuitement, toute pièce défectueuse.

CE QUI N'EST PAS COUVERT

La garantie ne couvre que l'acheteur au détail original et n'est pas transférable. Cette garantie ne couvre pas les problèmes de fonctionnement, défaillances ou autres défauts résultant d'un usage incorrect ou abusif, de la négligence, de la modification, de l'altération ou de réparations effectuées par quiconque autre qu'un centre de réparations d'outils motorisés à main et d'établi RIDGID®. Les articles de consommation fournis avec cet outil, tels que, mais sans y être limité, les lames, embouts et abrasifs, ne sont pas couverts.

RIDGID, INC., ET ONE WORLD TECHNOLOGIES, INC. NE FONT AUCUNE AUTRE GARANTIE, REPRÉSENTATION OU PROMESSE CONCERNANT LA QUALITÉ ET LES PERFORMANCES DE SES OUTILS MOTORISÉS, AUTRES QUE CELLES EXPRESSÉMENT INDIQUÉES DANS LE PRÉSENT DOCUMENT.

AUTRES LIMITATIONS

Sous réserve que les lois en vigueur le permettent, toutes les garanties implicites sont exclues, y compris les GARANTIES DE VALEUR MARCHANDE ou D'ADÉQUATION À UN USAGE PARTICULIER. Toutes les garanties implicites, y compris les garanties de valeur marchande ou d'adéquation à un usage particulier ne pouvant pas être exclues en raison des lois en vigueur, sont limitées à une durée de trois ans, à compter de la date d'achat. One World Technologies, Inc. et RIDGID, Inc. déclinent toute responsabilité pour les dommages directs ou indirects. Certains états et provinces ne permettant pas de limitation sur la durée des garanties implicites, et / ou l'exclusion ou la limitation des dommages directs ou indirects, les restrictions ci-dessus peuvent ne pas être applicables. Cette garantie donne au consommateur des droits spécifiques, et celui-ci peut bénéficier d'autres droits, qui varient selon les états ou provinces.

One World Technologies, Inc.

REGLAS DE SEGURIDAD GENERALES

ADVERTENCIA:

Lea y comprenda todas las instrucciones. El incumplimiento de las instrucciones señaladas abajo puede causar descargas eléctricas, incendios y lesiones corporales serias.

LEA TODAS LAS INSTRUCCIONES

■ **FAMILIARÍCESE CON SU HERRAMIENTA ELÉCTRICA.**

Lea cuidadosamente el manual del operador. Aprenda los usos, limitaciones y posibles peligros relacionados con esta herramienta.

■ **PROTÉJASE CONTRA DESCARGAS ELÉCTRICAS EVITE TOCAR CON EL CUERPO SUPERFICIES CONECTADAS A TIERRA.** Por ejemplo: tubos, radiadores, estufas y cajas de refrigeradores.

■ **MANTENGA LAS PROTECCIONES EN SU LUGAR** y en buenas condiciones de trabajo.

■ **RETIRE TODA LLAVE Y HERRAMIENTA DE AJUSTE.** Adquiera el hábito de verificar que se haya retirado de la herramienta eléctrica toda llave y herramienta de ajuste antes de encenderla.

■ **MANTENGA LIMPIA EL ÁREA DE TRABAJO.** Las áreas y mesas de trabajo mal despejadas son causas comunes de accidentes. **NO** deje herramientas o piezas de madera en la herramienta mientras esté funcionando.

■ **NO UTILICE LA HERRAMIENTA EN ENTORNOS PELIGROSOS.** No utilice las herramientas eléctricas en lugares húmedos o mojados ni las exponga a la lluvia. Mantenga bien iluminada el área de trabajo.

■ **MANTENGA ALEJADOS A LOS NIÑOS Y DEMÁS CIRCUNSTANTES.** Todos los presentes deben llevar puestos anteojos de seguridad y permanecer a una distancia segura del área de trabajo. No permita que ninguno de los presentes toque la herramienta eléctrica o el cordón de extensión mientras esté funcionando la unidad.

■ **HAGA SU TALLER A PRUEBA DE NIÑOS** con candados, interruptores maestros y retirando las llaves de arranque.

■ **NO FUERCE LA HERRAMIENTA.** Efectúa el trabajo mejor y de manera más segura, si se utiliza a la velocidad para la que está diseñada.

■ **USE LA HERRAMIENTA ADECUADA PARA LA TAREA.** No fuerce la herramienta ni ningún accesorio a efectuar tareas para las que no están hechos.

■ **USE UN CORDÓN DE EXTENSIÓN ADECUADO.** Asegúrese de que esté en buen estado el cordón de extensión. Al utilizar un cordón de extensión sólo utilice uno del calibre suficiente para soportar la corriente que consume el producto. Un cordón de un grueso insuficiente causa una caída en el voltaje de línea, y produce recalentamiento y pérdida de potencia.

Se recomienda que los conductores sean de calibre **14** (A.W.G.) por lo menos, para un cordón de extensión de 25 pies (7,6 metros) de largo o menos. Si tiene dudas, utilice un cordón del calibre más grueso siguiente. Cuanto menor es el número de calibre, mayor es el grueso del cordón.

■ **USE ROPA ADECUADA.** No use ropa holgada, guantes flojos, corbata ni alhajas. Podrían engancharse y tirar de usted hacia partes en movimiento. Si tiene el pelo largo, cúbrase para que quede recogido.

■ **SIEMPRE PÓNGASE ANTEOJOS DE SEGURIDAD CON PROTECCIÓN LATERAL.** Los anteojos de uso diario tienen lentes resistentes a golpes únicamente; **NO** son anteojos de seguridad.

■ **ASEGURE LA PIEZA DE TRABAJO.** Utilice prensas de mano o de banco para sujetar la pieza de trabajo cuando resulte práctico hacerlo; es más seguro que utilizar la mano y quedan ambas manos libres para manejar la herramienta.

■ **NO ESTIRE EL CUERPO PARA ALCANZAR MAYOR DISTANCIA.** Mantenga una postura firme y buen equilibrio en todo momento.

■ **DÉ MANTENIMIENTO CON CUIDADO A LAS HERRAMIENTAS.** Mantenga afiladas y limpias las herramientas para obtener de las mismas un desempeño mejor y más seguro. Siga las instrucciones correspondientes al cambio y lubricación de accesorios.

■ **DESCONECTE LAS HERRAMIENTAS.** Todas las herramientas deben desconectarse del suministro de corriente cuando no estén usándose, o al cambiarles aditamentos, hojas de corte, brocas, fresas, etc.

■ **EVITE UN ARRANQUE ACCIDENTAL DE LA UNIDAD.** Asegúrese de que el interruptor esté en la posición de apagado antes de conectar la clavija de cualquier herramienta.

■ **USE ACCESORIOS RECOMENDADOS.** Consulte este manual del operador, donde aparecen los accesorios recomendados. El empleo de accesorios inadecuados puede causar lesiones.

■ **NO SE PARE NUNCA EN LA HERRAMIENTA.** Pueden producirse lesiones serias si se vuelca la herramienta.

■ **INSPECCIONE LAS PIEZAS DAÑADAS.** Antes de seguir utilizando la herramienta, es necesario inspeccionar cuidadosamente toda protección o pieza dañada para determinar si funcionará correctamente y desempeñará la función a la que está destinada. Verifique la alineación de las partes móviles, que no haya atoramiento de partes móviles, que no haya piezas rotas, el montaje de las piezas y cualquier otra condición que pudiera afectar su funcionamiento. Toda protección o pieza que esté dañada debe repararse apropiadamente o reemplazarse en un centro de servicio autorizado.

REGLAS DE SEGURIDAD GENERALES

Toda protección o pieza que esté dañada debe repararse apropiadamente o reemplazarse en un centro de servicio autorizado.

- **AVANCE LA PIEZA DE TRABAJO EN LA DIRECCIÓN CORRECTA.** Solamente empuje la pieza de trabajo hacia la hoja, fresa o tambor de lijado, contra el sentido de rotación de éstos.
- **NUNCA DEJE FUNCIONANDO DESATENDIDA LA HERRAMIENTA. APAGUE LA CORRIENTE.** No se aleje de la herramienta hasta no verla completamente detenida.
- **PROTÉJASE LOS PULMONES.** Use una careta o mascarilla contra el polvo si la operación de corte genera mucho polvo.
- **PROTÉJASE EL OÍDO.** Durante períodos prolongados de utilización de la unidad póngase protección para los oídos.
- **NO MALTRATE EL CORDÓN ELÉCTRICO.** Nunca porte la herramienta sujetándola por el cordón eléctrico, ni tire del mismo para desconectarla de la toma de corriente. Mantenga el cordón eléctrico alejado del calor, del aceite y de los bordes afilados.
- **UTILICE CORDONES DE EXTENSIÓN PARA USO EN EL EXTERIOR.** Al utilizar la herramienta en el exterior, sólo utilice cordones de extensión con conexión a tierra aprobada apropiados para uso al aire libre y marcados para tal tipo de uso.
- **MANTENGA LAS HOJAS DE CORTE LIMPIAS Y AFILADAS Y CON EL SUFICIENTE TRISCADO.** Las brocas afiladas reducen al mínimo los atorones.
- **NUNCA UTILICE LA UNIDAD EN UNA ATMÓSFERA EXPLOSIVA.** El chispeo normal del motor podría encender los gases presentes.
- **INSPECCIONE PERIÓDICAMENTE LOS CORDONES ELÉCTRICOS DE LAS HERRAMIENTAS.** Si están dañados, llévelos a un establecimiento de servicio autorizado para que los revise un técnico de servicio calificado. El conductor con aislamiento que tiene una superficie exterior verde con o sin tiras amarillas es el conductor de conexión a tierra del equipo. Si es necesaria la reparación o reemplazo del cordón eléctrico o de la clavija, no conecte el conductor de conexión a tierra a

una terminal portadora de corriente. Repare o reemplace de inmediato todo cordón dañado o gastado. Siempre esté consciente de la ubicación del cordón y manténgalo bien alejado de la hoja en movimiento de giro.




- **INSPECCIONE PERIÓDICAMENTE LOS CORDONES DE EXTENSIÓN** y reemplácelos si están dañados.
- **MANTENGA LA HERRAMIENTA SECA, LIMPIA Y LIBRE DE ACEITE Y GRASA.** Siempre utilice un paño limpio para la limpieza de la unidad. Nunca utilice fluidos para frenos, gasolina, productos a base de petróleo ni solventes para limpiar la herramienta.
- **PERMANEZCA ALERTA Y EN CONTROL.** Preste atención a lo que esté haciendo y aplique el sentido común. No utilice la herramienta cuando esté cansado. No se apresure.
- **NO UTILICE LA HERRAMIENTA SI EL INTERRUPTOR NO ENCIENDE O NO APAGA.** Lleve todo interruptor defectuoso a un centro de servicio autorizado para que lo reparen.
- **INSPECCIONE LA MADERA Y ELIMINE TODOS LOS CLAVOS PRESENTES EN LA MISMA ANTES DE USAR ESTA HERRAMIENTA.** Con el cumplimiento de esta regla se reduce el riesgo de lesiones serias.
- **NUNCA ARRANQUE LA HERRAMIENTA CUANDO LA PIEZA GIRATORIA CORRESPONDIENTE ESTÉ TOCANDO LA PIEZA DE TRABAJO.**
- **NO UTILICE NINGUNA HERRAMIENTA SI SE ENCUENTRA BAJO LOS EFECTOS DE DROGAS, ALCOHOL O MEDICAMENTOS.**
- **AL DAR SERVICIO** a la unidad, sólo utilice piezas de repuesto idénticas. El empleo de piezas diferentes puede causar un peligro o dañar el producto.
- **SOLAMENTE UTILICE ACCESORIOS** señalados en este manual o en los apéndices. El uso de accesorios no señalados en este manual puede presentar riesgos de lesiones corporales. Con los accesorios se incluyen instrucciones para el uso seguro de los mismos.
- **REVISE DOS VECES TODA CONFIGURACIÓN DE LA HERRAMIENTA.** Asegúrese de que el tambor o el conjunto de la banda de lijado esté apretado y de que no toque la lijadora o la pieza de trabajo antes de conectar la unidad al suministro de corriente.

REGLAS DE SEGURIDAD ESPECÍFICAS







- **PROTÉJASE LOS PULMONES.** Use una careta o mascarilla contra el polvo si la operación de corte genera mucho polvo.
- **PROTÉJASE EL OÍDO.** Durante períodos prolongados de utilización de la unidad póngase protección para los oídos.
- **INSPECCIONE PERIÓDICAMENTE LOS CORDONES ELÉCTRICOS DE LAS HERRAMIENTAS, Y SI ESTÁN DAÑADOS, PERMITA QUE LOS REPAREN EN EL CENTRO DE SERVICIO AUTORIZADO DE SU PREFERENCIA DE LA LOCALIDAD. TENGA PRESENTE CONSTANTEMENTE LA UBICACIÓN DEL CORDÓN ELÉCTRICO.** Con el cumplimiento de esta regla se reduce el riesgo de una descarga eléctrica o incendio.
- **INSPECCIONE LA MADERA Y ELIMINE TODOS LOS CLAVOS PRESENTES EN LA MISMA ANTES DE USAR ESTA HERRAMIENTA.** Con el cumplimiento de esta regla se reduce el riesgo de lesiones serias.
- **GUARDE ESTAS INSTRUCCIONES.** Consúltelas con frecuencia y empléelas para instruir a otras personas que puedan utilizar esta herramienta. Si presta a alguien esta herramienta, facilítele también las instrucciones.
- **LAS PIEZAS DE TRABAJO PEQUEÑAS O DELGADAS PUEDEN DAR UN CONTRAGOLPE SI DAN UN VUELCO Y CAEN EN LAS MESAS DE LA HERRAMIENTA O EN LA CABEZA DE CORTE.** Para disminuir el riesgo de tocar la cabeza de corte o de un contragolpe de la pieza de trabajo: Nunca cepille para unir, cepille para acabar ni bisele piezas de trabajo de una longitud inferior a 12 pulg. (30 cm).
- **AL CEPILLAR PARA HACER JUNTAS** nunca cepille piezas con menos de 3/4 pulg. (19 mm) de ancho ni 1/4 pulg (16 mm). de grueso.
- **SIEMPRE USE BLOQUES O PALOS DE EMPUJAR** al cepillar para unir o biselar madera de una anchura inferior a 3 pulg. (7,5 cm).
- **AL REBAJAR** siempre efectúe el cepillado en incrementos de 1/8 pulg. (3 mm) o menos.
- **NUNCA CEPILLE MADERA MÁS ANGOSTA NI MÁS DELGADA QUE 3/4 pulg (19 MM).**
- **SIEMPRE USE BLOQUES O PALOS DE EMPUJAR** al cepillar.
- **NUNCA** realice ninguna operación “a pulso”, o sea nunca use solamente las manos para dar apoyo o guiar la pieza de trabajo. Siempre use la guía de corte al hilo o la guía de corte a inglete y guíe la pieza de trabajo.
- **ASEGÚRESE DE QUE NO HAYA DESECHOS** entre la pieza de trabajo y ya sea la guía o la parte superior de la mesa.
- **SIEMPRE USE UN SOPORTE ESTABLE PARA LA PIEZA DE TRABAJO AL CEPILLAR PARA UNIR O PARA ACABAR PIEZAS DE TRABAJO LARGAS.** Nunca utilice otra persona como soporte adicional ni para ayudar a empujar, dar apoyo o tirar de la pieza de trabajo en ninguna operación.
- **NUNCA CORTE** más de una pieza a la vez.
- **NUNCA ENCIENDA EL CEPILLO DE JUNTAS** antes de retirar de la mesa todo, excepto la pieza de trabajo y los dispositivos de soporte relacionados.
- **EVITE OPERACIONES Y POSICIONES EXTRAÑAS DE LAS MANOS** en las cuales un deslizamiento súbito pudiera causar que la mano tocara la cabeza de corte. Nunca pase ninguna mano por la cabeza de corte durante ninguna operación.
- **SI ESTÁ DAÑADO EL CORDÓN DE CORRIENTE,** debe ser reemplazado únicamente por el fabricante o en un centro de servicio autorizado para evitar riesgos.
- **GUARDE ESTAS INSTRUCCIONES.** Consúltelas con frecuencia y empléelas para instruir a otros usuarios de la misma. Si presta a alguien esta herramienta, facilítele también las instrucciones.

SÍMBOLOS

Las siguientes palabras de señalización y sus significados tienen el objeto de explicar los niveles de riesgo relacionados con este producto.

SÍMBOLO	SEÑAL	SIGNIFICADO
	PELIGRO:	Indica una situación peligrosa, la cual, si no se evita, causará la muerte o lesiones serias.
	ADVERTENCIA:	Indica una situación peligrosa, la cual, si no se evita, podría causar la muerte o lesiones serias.
	PRECAUCIÓN:	Indica una situación peligrosa, la cual, si no se evita, podría causar lesiones menores o leves.
	AVISO:	(Sin el símbolo de alerta de seguridad) Indica la información que se considera importante, pero no relacionada con lesiones potenciales (por ej. en relación a daños a la propiedad).

Es posible que se empleen en esta herramienta algunos de los siguientes símbolos. Le suplicamos estudiarlos y aprender su significado. Una correcta interpretación de estos símbolos le permitirá utilizar mejor y de manera más segura la herramienta.

SÍMBOLO	NOMBRE	DENOMINACIÓN/EXPLICACIÓN
	Alerta de seguridad	Indica un peligro posible de lesiones personales.
	Lea el manual del operador	Para reducir el riesgo de lesiones, el usuario debe leer y comprender el manual del operador antes de usar este producto.
	Protección ocular	Siempre póngase protección ocular con protección lateral con la marca de cumplimiento de la norma ANSI Z87.1.
	Símbolo de no acercar las manos	Si no mantiene las manos alejadas de la hoja de corte, se causará serias lesiones corporales.
	Alerta de condiciones húmedas	No exponga la unidad a la lluvia ni la use en lugares húmedos.
V	Volts	Voltaje
A	Amperes	Corriente
Hz	Hertz	Frecuencia (ciclos por segundo)
min	Minutos	Tiempo
~	Corriente alterna	Tipo de corriente
n_0	Velocidad en vacío	Velocidad de rotación, en vacío
	Fabricación Clase II	Fabricación con doble aislamiento
.../min	Por minuto	Revoluciones, carreras, velocidad superficial, órbitas, etc., por minuto

ASPECTOS ELÉCTRICOS

CORDONES DE EXTENSIÓN

Sólo utilice cordones de extensión de 3 conductores con clavijas de tres patillas y receptáculos de tres polos que acepten la clavija del cordón de la herramienta. Al utilizar una herramienta eléctrica a una distancia considerable del suministro de corriente, asegúrese de utilizar un cordón de extensión del grueso suficiente para soportar el consumo de corriente de la herramienta. Un cordón de extensión de un grueso insuficiente causa una caída en el voltaje de línea, además de producir una pérdida de potencia y un recalentamiento del motor. Básese en la tabla suministrada abajo para determinar el calibre mínimo requerido de los conductores del cordón de extensión. Solamente deben utilizarse cordones con forro redondo registrados en Underwriter's Laboratories (UL).

**Amperaje (aparece en la placa frontal)

Longitud del cordón	Calibre conductores (A.W.G.)					
	0-2,0	2,1-3,4	3,5-5,0	5,1-7,0	7,1-12,0	12,1-16,0
25'	16	16	16	16	14	14
50'	16	16	16	14	14	12
100'	16	16	14	12	10	—

**Se usa en los circuitos de calibre 12, de 20 Amperes.

NOTA: AWG = Calibre conductores norma americana

Al trabajar a la intemperie con la herramienta, utilice un cordón de extensión fabricado para uso en el exterior. Tal característica está indicada con las letras "WA" en el forro del cordón.

Antes de utilizar un cordón de extensión, inspecciónelo para ver si tiene conductores flojos o expuestos y aislamiento cortado o gastado.

⚠️ ADVERTENCIA:

Mantenga el cordón de extensión fuera del área de trabajo. Al trabajar con una herramienta eléctrica, coloque el cordón de tal manera que no pueda enredarse en la madera, herramientas ni en otras obstrucciones. La inobservancia de esta advertencia puede causar lesiones serias.

⚠️ ADVERTENCIA:

Inspeccione los cordones de extensión cada vez antes de usarlos. Si están dañados reemplácelos de inmediato. Nunca utilice la herramienta con un cordón dañado, ya que si toca la parte dañada puede producirse una descarga eléctrica, y las consecuentes lesiones serias.

CONEXIÓN ELÉCTRICA

Esta herramienta está impulsada por un motor eléctrico fabricado con precisión. Debe conectarse únicamente a una **línea de voltaje de 120 Volts, 60 Hertz, de corriente alterna solamente (corriente normal para uso doméstico)**. No utilice esta herramienta con corriente continua (c.c.). Una caída considerable de voltaje causa una pérdida de potencia y el recalentamiento del motor. Si la sierra no funciona al conectarla en una toma de corriente, vuelva a revisar el suministro de corriente.

VELOCIDAD Y CABLEADO

La velocidad en vacío de esta herramienta es de 3.450 pies/min (1052 m/min) aproximadamente. Esta velocidad no es constante y disminuye durante el corte o con un voltaje bajo. En cuanto al voltaje, el cableado de un taller es tan importante como la potencia nominal del motor. Una línea destinada sólo para luces no puede alimentar el motor de una herramienta eléctrica. El cable con el calibre suficiente para una distancia corta será demasiado delgado para una mayor distancia. Una línea que puede alimentar una herramienta eléctrica puede no ser capaz de alimentar dos o tres herramientas.

INSTRUCCIONES DE CONEXIÓN A TIERRA

En caso de un mal funcionamiento o desperfecto, la conexión a tierra brinda a la corriente eléctrica una trayectoria de mínima resistencia para disminuir el riesgo de una descarga eléctrica. Esta herramienta está equipada de un cordón eléctrico con un conductor y una clavija de conexión a tierra para equipo. La clavija debe conectarse en una toma de corriente igual que esté instalada y conectada a tierra correctamente, de conformidad con los códigos y reglamentos de la localidad.

No modifique la clavija suministrada. Si no entra en la toma de corriente, llame a un electricista calificado para que instale una toma de corriente adecuada. Si se conecta de forma incorrecta el conductor de conexión a tierra del equipo puede presentarse un riesgo de descarga eléctrica. El conductor con aislamiento que tiene una superficie exterior verde con o sin tiras amarillas es el conductor de conexión a tierra del equipo. Si es necesaria la reparación o reemplazo del cordón eléctrico o de la clavija, no conecte el conductor de conexión a tierra a una terminal portadora de corriente.

Consulte a un electricista calificado o técnico de servicio si no ha comprendido completamente las instrucciones de conexión a tierra o si no está seguro si la herramienta está bien conectada a tierra.

Repáre o reemplace de inmediato todo cordón dañado o gastado.

Esta herramienta debe utilizarse conectada a un circuito con una toma de corriente como la mostrada en la figura 1. También dispone de una patilla de conexión a tierra como la mostrada.

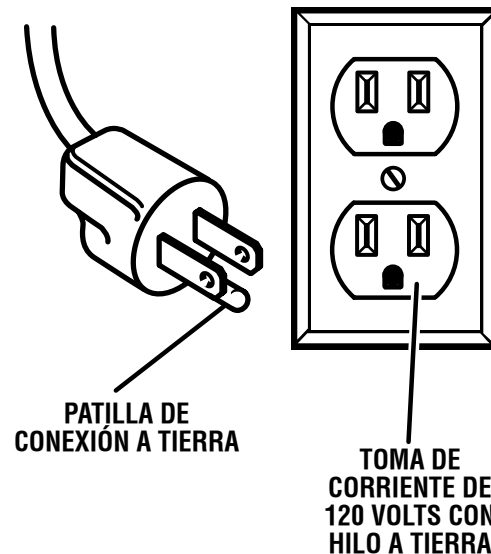


Fig. 1

ASPECTOS ELÉCTRICOS

CAMBIO DEL VOLTAJE DEL MOTOR

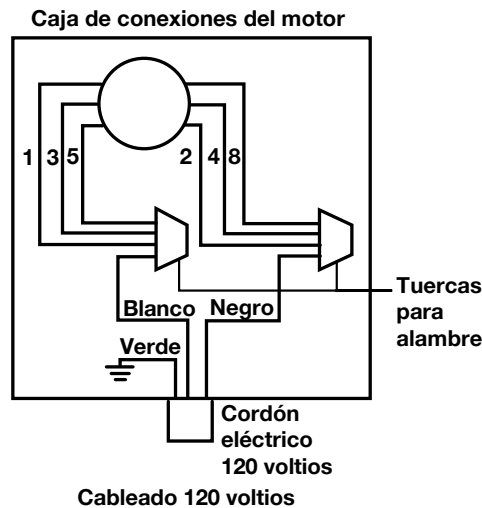
Vea las figuras 2 y 5.

⚠️ ADVERTENCIA:

Una descarga eléctrica puede ser mortal. Para disminuir el riesgo de lesiones corporales graves, nunca conecte la clavija en el suministro de corriente sin haber completado todos los pasos de armado de la unidad.

NOTA: El cepillo de juntas ha sido cableado en la fábrica para una corriente alterna de 120 Volts, 60 Hertz. Para cambiar el voltaje del motor, de 120 a 240 voltios, aplique el siguiente procedimiento.

- Desconecte el cepillo de juntas.
- La caja de conexiones está ubicada en el costado de la caja de conexiones. Retire el tornillo Phillips ubicado en la parte posterior de la caja de conexiones y después levante la cubierta.
- Retire de los conectores de los conductores la cinta eléctrica y deséchela. Retire los conectores de los conductores.
- Vuelva a conectar los conductores.
- Vuelva a instalar los conectores de los conductores y envuelva cada conductor en dos capas de cinta eléctrica nueva con registro UL.
- Vuelva a verificar las conexiones basándose en los diagramas de cableado.
- Vuelva a instalar la cubierta de la caja de conexiones con el tornillo Phillips.
- Corte la clavija de 120 voltios del cordón de corriente y reemplácela por una de 3 patillas, 240 voltios, 15 amperios con registro UL.
- Conecte los conductores blanco y negro del cordón eléctrico en las terminales tipo hoja portadoras de corriente de la clavija. Conecte el conductor verde de conexión a tierra del cordón eléctrico en la terminal de la patilla de conexión a tierra de la clavija.



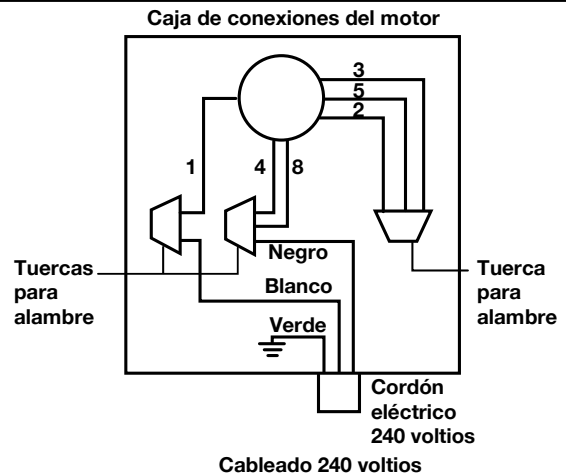
PARA USAR CON 110 A 120 VOLTIOS

Fig. 2

- Conecte el cepillo de juntas en un receptáculo de 220 a 240 Volts, 15 Amperes y 3 contactos.
- Asegúrese de que el receptáculo esté conectado a un suministro de corriente alterna de 240 Volts mediante un circuito de derivación de tal voltaje, con una capacidad de 15 Amperes como mínimo, y protegido con un fusible o disyuntor de retardo.

⚠️ ADVERTENCIA:

Para prevenir posibles riesgos eléctricos, incluída una electrocución o la muerte, solicite a un electricista calificado que inspeccione la línea si usted no tiene la certeza de que está debidamente cableada.



PARA USAR CON 220 A 240 VOLTIOS

Fig. 4



GLOSARIO DE TÉRMINOS

A pulso

Es efectuar un corte sin guiar la pieza de trabajo con ninguna guía, guía de ingletes ni ningún otro medio.

Agujero guía (taladradoras de columna)

Es un agujero pequeño taladrado en una pieza de trabajo, el cual sirve como guía para taladrar con precisión agujeros más grandes.

Árbol

Es el eje donde se monta una hoja o herramienta de corte.

Aserrado con traspaso

Es cualquier operación de corte en la cual la hoja de corte traspasa completamente el espesor de la pieza de trabajo.

Bloques empujadores (para cepillos de juntas)

Son dispositivos empleados para avanzar la pieza de trabajo por el cepillo de juntas durante cualquier operación. Este medio ayuda al operador a mantener las manos alejadas de la cabeza de corte.

Bloques y palos empujadores (para sierras de mesa)

Son dispositivos empleados para avanzar la pieza de trabajo a través de la sierra durante operaciones de corte. Para las operaciones de cortes al hilo angostos debe emplearse un palo empujador (no un bloque empujador). Estos medios ayudan al operador a mantener las manos alejadas de la hoja de corte.

Cabeza de corte (cepillos normales y de juntas)

Es una cabeza de corte giratoria con hojas o cuchillas ajustables. Las hojas o cuchillas eliminan material de la pieza de trabajo.

Chaflán

Es un corte efectuado para eliminar una cuña de un bloque de manera que el extremo (o una parte del mismo) quede a un ángulo diferente de 90°.

Contragolpe

Es un peligro que puede ocurrir cuando la hoja se atora o se atasca, y lanza la pieza de trabajo hacia atrás, en dirección del operador.

Corte

Es la cantidad de material eliminado por la hoja en un corte completo con traspaso, o en una ranura producida por la hoja en un corte sin traspaso o parcial.

Corte a inglete

Es una operación de corte efectuada con la pieza de trabajo a un ángulo diferente de 90° con respecto a la hoja.

Corte combinado

Es un corte transversal efectuado a inglete y a bisel.

Corte de ranura

Es un corte parcial sin traspaso que produce una muesca, o un canal de lado a lado, de lados a escuadra, en la pieza de trabajo (se requiere una hoja especial).

Corte en bisel

Es una operación de corte efectuada con la hoja a un ángulo diferente de 90° con respecto a la superficie de la mesa.

Corte longitudinal o al hilo

Es una operación de corte paralela al largo de la pieza de trabajo.

Corte transversal o a contrahilo

Es una operación de corte o fresado efectuada a través de la fibra o ancho de la pieza de trabajo.

Cortes sin traspaso

Es cualquier operación de corte en la cual la hoja de corte no traspasa completamente el espesor de la pieza de trabajo.

Cuchilla separadora/Abridor/Separador (sierras de mesa)

Es una pieza metálica, levemente más delgada que la hoja, la cual se emplea para mantener abierto el corte y también ayuda a evitar un contragolpe.

Extremo delantero

Es el extremo de la pieza de trabajo que se empuja primero hacia la herramienta.

Goma

Es el residuo pegajoso de savia presente en la madera.

Lanzamiento

Es el lanzamiento hacia atrás de una pieza de trabajo, y normalmente es causado al dejar caer dicha pieza en la hoja o al hacerla tocar accidentalmente ésta.

Mesa

Es la superficie sobre la cual descansa la pieza de trabajo mientras se le efectúa una operación de corte, taladrado, cepillado o lijado.

Peine de sujeción

Es un dispositivo empleado como ayuda para controlar la pieza de trabajo guiándola con seguridad contra la mesa o la guía durante las operaciones de corte al hilo.

Pieza de trabajo o material

Es la pieza a la que se efectúa la operación.

PPM o CPM

Pies por minuto (o carreras por minuto), se emplea refiriéndose al movimiento de la hoja.

Reaserrado

Es una operación de corte efectuada para reducir el espesor de la pieza de trabajo para hacer piezas más delgadas.

Talón

Es la alineación de la hoja con respecto a la guía de corte al hilo.

Trinquetes anticontragolpe (sierras radiales y de mesa)

Es un dispositivo, el cual, cuando se instala y da mantenimiento correctamente, sirve para detener la pieza de trabajo para no ser lanzada hacia atrás, hacia la parte frontal la sierra durante una operación de corte al hilo.

Redondeo de aristas (cepillos)

Es una depresión hecha en cualquiera de los dos extremos de una pieza de trabajo por las cuchillas de corte cuando no se proporciona un apoyo adecuado a la pieza de trabajo.

Resina

Es la sustancia pegajosa a base de savia que se endurece.

Revoluciones por minuto (RPM)

Es el número de vueltas realizadas por un objeto en movimiento de giro en un minuto.

Trayectoria de la hoja de la sierra

Es el área encima, abajo, detrás o delante de la hoja. En relación con la pieza de trabajo, es el área que será o ha sido cortada por la hoja.

Triscado

Es la distancia que se ha doblado hacia afuera (que se ha triscado) la punta de los dientes de la hoja de la sierra, a partir de la cara de la hoja.

CARACTERÍSTICAS

ESPECIFICACIONES DEL PRODUCTO

Motor 1 HP, de inducción
 Núm. de fases Una
 Giro del eje A la izquierda
 Velocidad en vacío 3 450 r/min (RPM)
 Cortes por minuto 10 350 CPM

Cabeza de corte Tres cuchillas
 Corriente de entrada 120 V, sólo corr. alt., 60 Hz, 12 A
 Corriente de entrada 240 V, sólo corr. alt., 60 Hz, 6 A
 Peso neto 94 kg (208 lb)

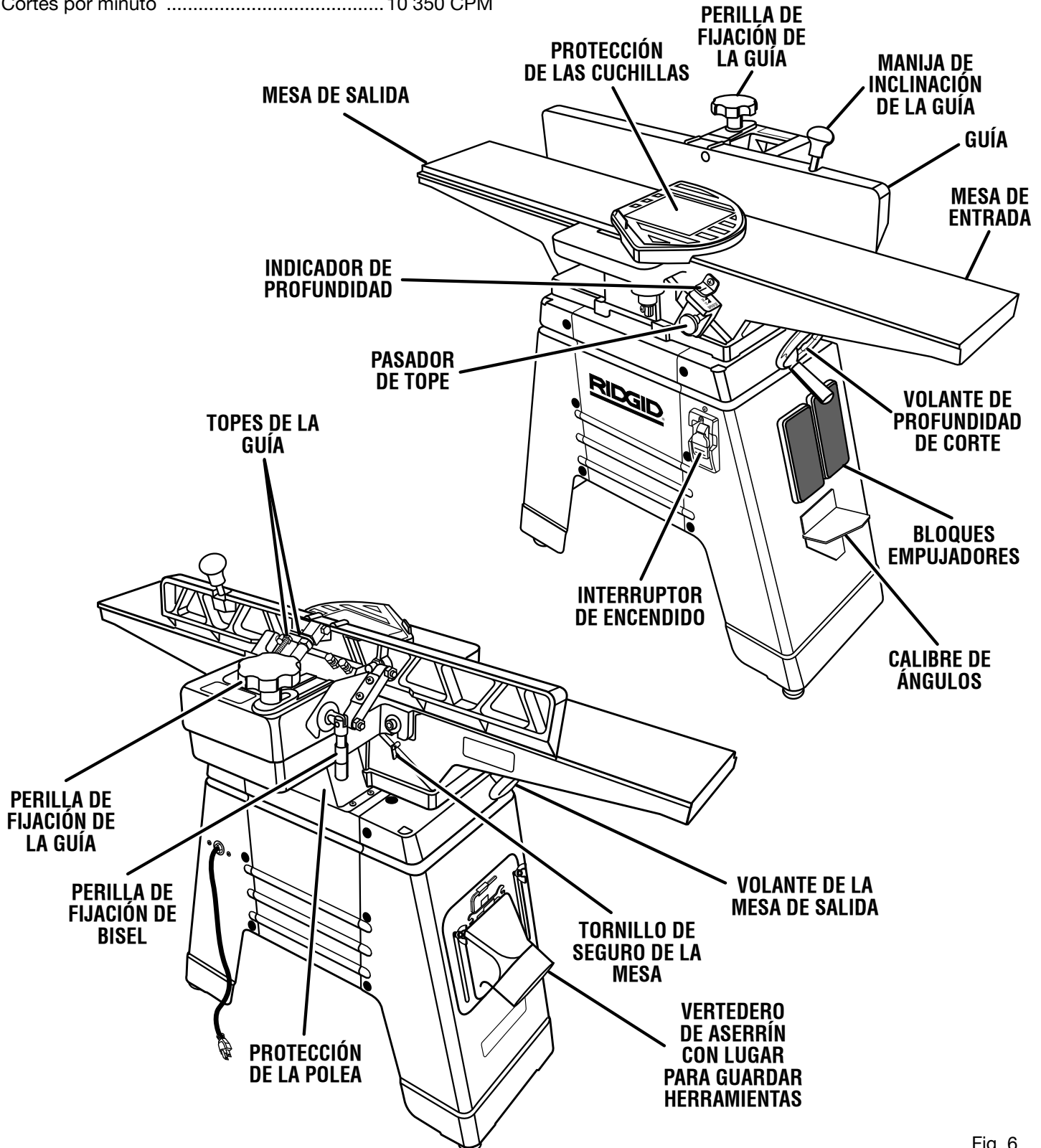


Fig. 6

CARACTERÍSTICAS

FAMILIARÍCESE CON EL CEPILLO DE JUNTAS

Veá la figura 6.

Para usar este producto con la debida seguridad se debe comprender la información indicada en la herramienta misma y en este manual, y se debe comprender también el trabajo que intenta realizar. Antes de intentar usar este producto, familiarícese con todas las características de funcionamiento y reglas de seguridad del mismo.

VERTEDERO DE ASERRÍN CON LUGAR PARA GUARDAR HERRAMIENTAS

Permite conectar una manguera de succión de desechos de 4 pulg. de diámetro. Entra y sale con facilidad cuando no está conectada una aspiradora. También dispone de lugar para almacenar llaves de ajuste de las cuchillas.

MESA DE SALIDA

Es la sección de la bancada del cepillo que soporta la pieza de trabajo después de que pasa por la cabeza de corte.

PERILLA DE FIJACIÓN DE LA GUÍA

Permite mover la guía a través de la mesa, hacia adelante y hacia atrás. Esto se realiza para lograr una anchura de corte completa o para usar una parte diferente (más afilada) de las cuchillas.

PROTECCIÓN DE LA POLEA

Protege al usuario de todo acceso accidental a la polea y a la correa del motor.

TORNILLO DE SEGURO DE LA MESA

Estos tornillos sirven para fijar las mesas de entrada y salida a la altura deseada.

VOLANTE DE PROFUNDIDAD DE CORTE

El volante sirve para controlar la cantidad de madera que se desea cepillar de la pieza de trabajo en cada pasada.

TOPES DE LA GUÍA A 90° Y A 135°

Cuando se ajustan debidamente, estos topes significan un método para alternar rápidamente la guía entre las posiciones de 90° y 135° con respecto a la mesa.

MANIJA DE INCLINACIÓN DE LA GUÍA

Ayuda a colocar la guía en varios ángulos de bisel.

GUÍA

Sirve para guiar la pieza de trabajo por la cabeza de corte.

PERILLA DE FIJACIÓN DE BISEL

Sirve para asegurar la guía al ángulo de bisel deseado.

MESA DE ENTRADA

Es la sección de la bancada del cepillo sobre la que se coloca la pieza de trabajo antes de empujarla por la cabeza de corte. Su altura es ajustable, lo cual permite al operador seleccionar la profundidad de corte.

PROTECCIÓN DE LA CABEZA DE CORTE

Ayuda a proteger al operador de las afiladas cuchillas de la cabeza de corte. Tiene resorte, por lo cual automáticamente mantiene cubierta la cabeza de corte antes, durante y después de la operación de cepillado. Debe usarse siempre.

PASADOR DE TOPE

Para las operaciones de rebajado hasta de 1/2 pulg. (19 mm) de profundidad, el pasador de tope puede extraerse para bajar la mesa de entrada en incrementos de 1/8 pulg. (3 mm).

CALIBRE DE ÁNGULOS

Sirve para poner la guía al ángulo de bisel deseado.

INTERRUPTOR DE ENCENDIDO

Sirve para encender y apagar la herramienta. Cuando se introduce la llave en la palanca del interruptor, puede ENCENDERSE (I) o APAGARSE (O) la corriente. Cuando se retira, no puede encenderse la corriente. Esta característica tiene el objeto de evitar todo acceso no autorizado a la unidad.

HERRAMIENTAS NECESARIAS

Se necesitan las siguientes herramientas (no vienen incluidas) para efectuar ajustes o instalar las cuchillas:

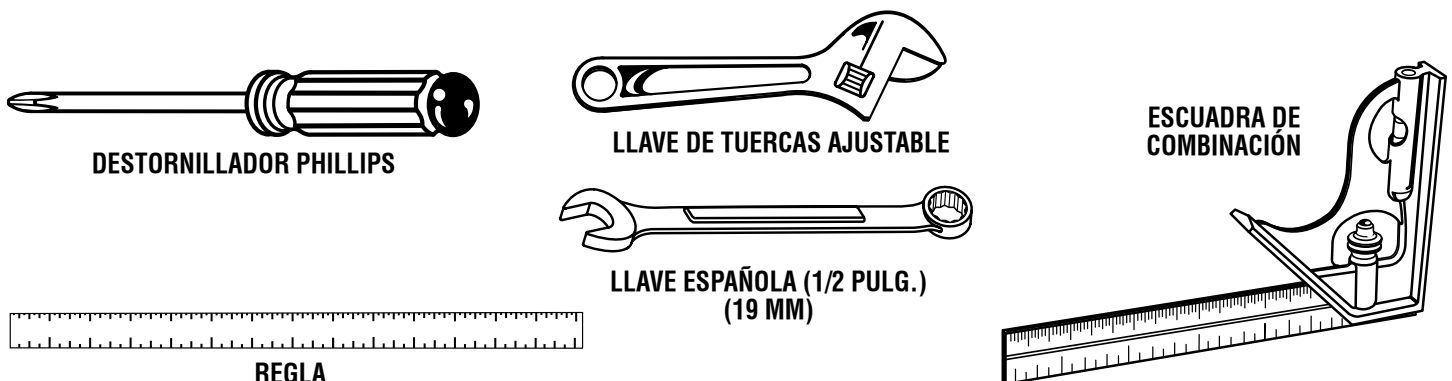


Fig. 7

PIEZAS SUELTAS

Los siguientes accesorios vienen incluidos con esta herramienta:

- | | | | |
|---|---|---|---|
| 1. Conjunto del motor e interruptor | 1 | 7. Panel delantero..... | 1 |
| 2. Conjunto de la bancada del cepillo | 1 | 8. Panel lateral derecho | 1 |
| 3. Soporte de montaje del motor..... | 1 | 9. Panel lateral izquierdo | 1 |
| 4. Conjunto de la guía..... | 1 | Manual del operador (no se muestra) | |
| 5. Vertedero de aserrín | 1 | Envoltorio plástico de piezas de ferretería (no se muestra) | |
| 6. Panel posterior..... | 1 | | |

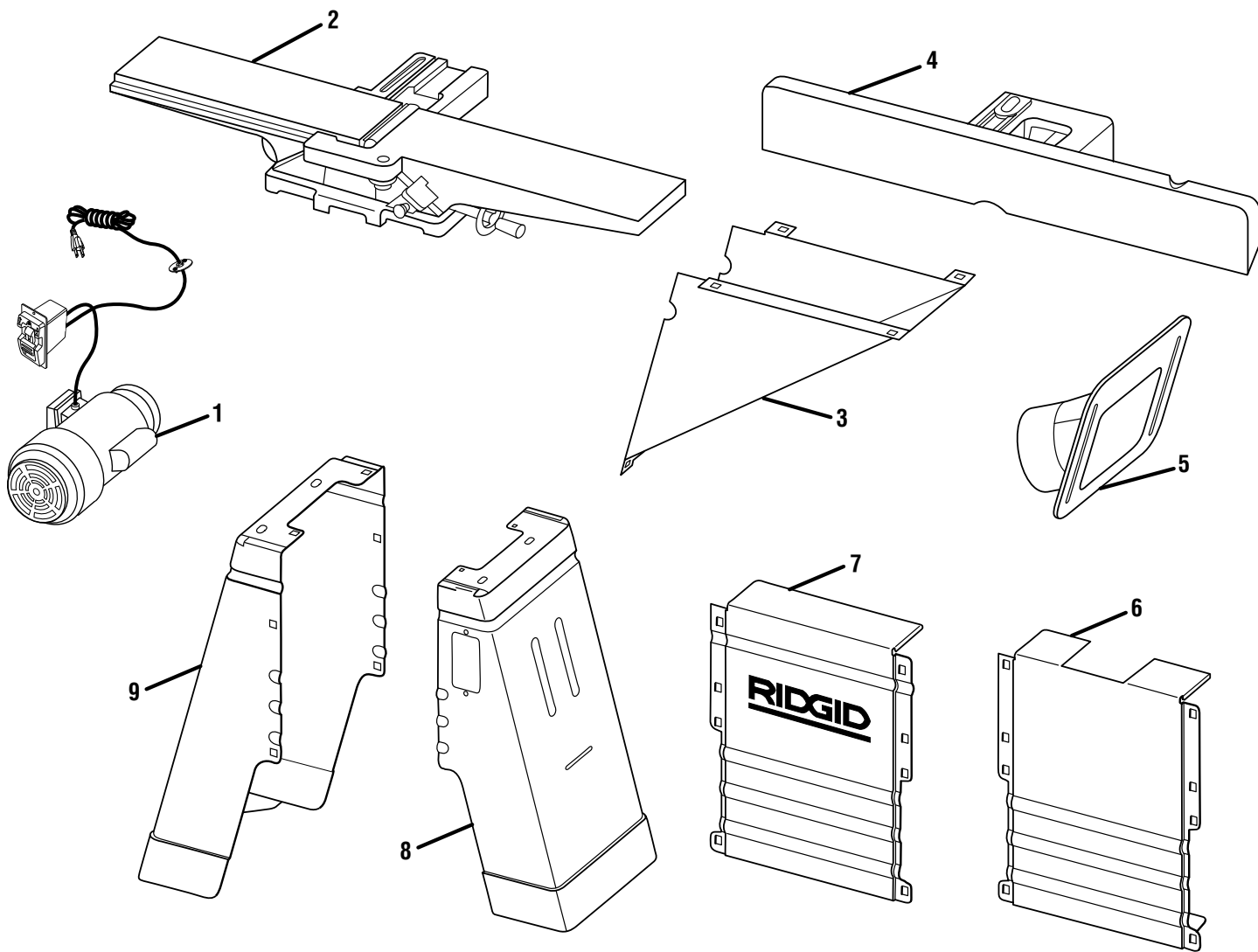


Fig. 8

PIEZAS SUELTAS

Los siguientes accesorios vienen incluidos con esta herramienta:

- | | |
|---|---|
| 1. Protección de la polea.....1 | 5. Bloques de empujar.....2 |
| 2. Correa en "V".....1 | 6. Manija de inclinación de la guía.....1 |
| 3. Calibre de ángulos.....1 | 7. Perilla de fijación de la guía.....1 |
| 4. Protección de la cabeza de corte.....1 | 8. Volante.....1 |

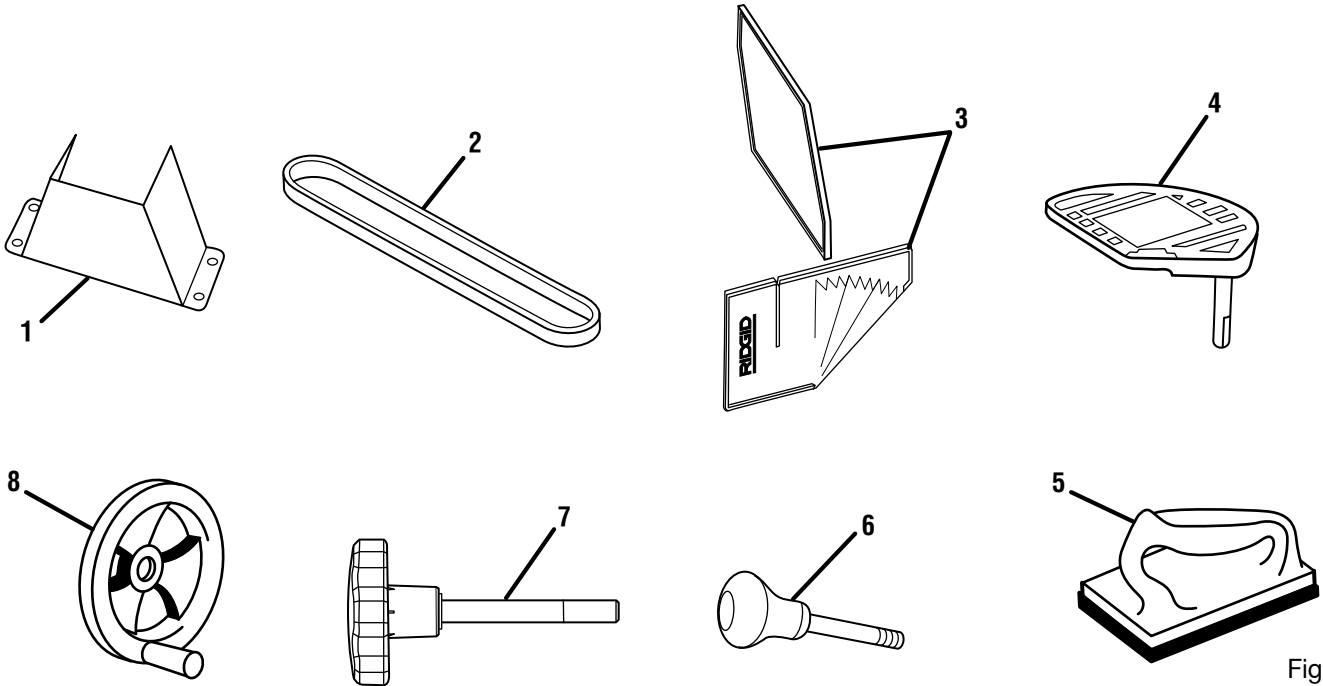


Fig. 9

ARMADO

DESEMPAQUETADO

Este producto requiere armarse.

- Levante cuidadosamente de la caja el cepillo de juntas tomándolo por la base, y colóquelo sobre una superficie de trabajo nivelada.

⚠️ ADVERTENCIA:

No utilice este producto si alguna pieza incluida en la lista de piezas sueltas ya está ensamblada al producto cuando lo desempaqueta. El fabricante no ensambla las piezas de esta lista en el producto. Éstas deben ser instaladas por el usuario. El uso de un producto que puede haber sido ensamblado de forma inadecuada podría causar lesiones personales graves.

⚠️ ADVERTENCIA:

Esta herramienta es pesada. Para evitar sufrir lesiones en la columna, levante con las piernas, no con la espalda, y obtenga ayuda cuando sea necesario.

- Inspeccione cuidadosamente la herramienta para asegurarse de que no haya sufrido ninguna rotura o daño durante el transporte.
- No deseché el material de empaquetado hasta que haya inspeccionado cuidadosamente la herramienta y la haya utilizado satisfactoriamente.
- Si hay alguna pieza dañada o faltante, llame al 1-866-539-1710, donde le brindaremos asistencia.

⚠️ ADVERTENCIA:

Si faltan piezas, no utilice esta herramienta sin haber reemplazado todas las piezas faltantes. La inobservancia de esta advertencia puede causar lesiones serias.

⚠️ ADVERTENCIA:

No intente modificar esta herramienta ni hacer accesorios no recomendados para la misma. Cualquier alteración o modificación constituye maltrato el cual puede causar una condición peligrosa, y como consecuencia posibles lesiones corporales serias.

ARMADO

⚠ ADVERTENCIA:

No conecte la unidad al suministro de corriente antes de terminar de armarla. De lo contrario la unidad puede ponerse en marcha accidentalmente, con el consiguiente riesgo de lesiones corporales serias.

MONTAJE DE LOS PANELES LATERALES Y DE LA MONTURA DEL MOTOR

Vea las figuras 10 y 11.

■ Localice lo siguiente:

- Pernos de carruaje (6), 5/16-18 x 1/2 pulg.
- Tuerca hexagonal con brida dentada (6), 5/16 pulg.
- Panel lateral izquierdo (1)
- Panel lateral derecho (1)
- Montura del motor (1)

- Monte la montura del motor en el panel lateral izquierdo, como se muestra. Asegúrese de que la orejeta inferior de la montura del motor que tiene dos agujeros esté en la parte interior del panel lateral izquierdo. Atornille la montura del motor en el panel con los pernos de carruaje de 5/16 pulg. y las tuercas de brida dentada de la misma medida. Apriete las tuercas con una llave.

NOTA: Asegúrese de que las orejetas del panel de la montura del motor estén encima de las orejetas del panel lateral izquierdo.

- Monte el panel lateral derecho en la montura del motor, como se muestra, con los pernos de carruaje de 5/16 pulg. y las tuercas de brida dentada de la misma medida. Apriete las tuercas con una llave.

MONTAJE DEL PANEL DELANTERO

Vea la figura 12.

■ Localice lo siguiente:

- Pernos de carruaje (6), 5/16-18 x 1/2 pulg.
- Tuercas hexagonales con brida dentada (6), 5/16 pulg.
- Panel delantero con el logotipo de RIDGID (1)

NOTA: Las orejetas del panel delantero deben estar en la parte interior del panel lateral antes de asegurarlo con tuercas y pernos.

- Atornille el panel delantero en su lugar como se muestra, con los pernos de carruaje de 5/16 pulg. y las tuercas de brida dentada de la misma medida. Asegúrese de que el panel delantero esté montado en el mismo lado de la base donde está la abertura para el interruptor. El panel debe atornillarse en su lugar en la parte posterior de los paneles izquierdo y derecho, como se muestra. Apriete las tuercas con una llave.

- Apriete todos los pernos de la base en este momento.

NOTA: Puede ser más fácil apretar el perno encargado de fijar el panel delantero si se coloca la base en posición vertical invertida. El panel trasero se monta después.

NOTA: Los agujeros marcados con la letra "A" de los paneles delantero y trasero no se usan para el armado.

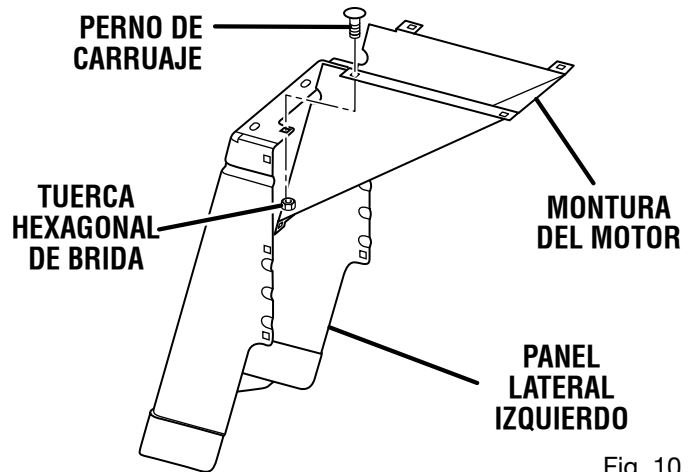


Fig. 10

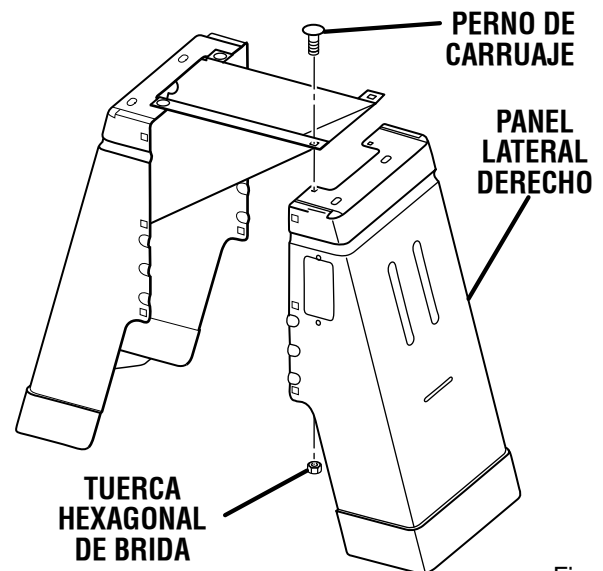


Fig. 11

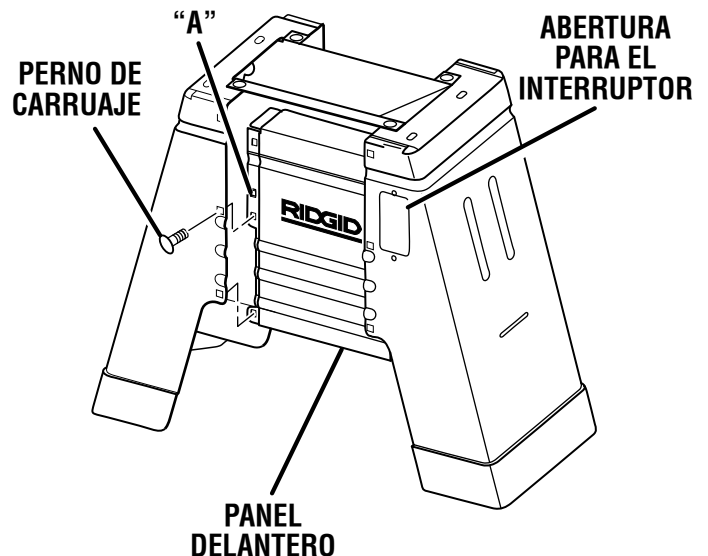


Fig. 12

ARMADO

MONTAJE DE LOS PIES DE NIVELACIÓN

Vea la figura 13.

- Coloque la base en posición vertical invertida.
- Localice lo siguiente:
 - Pies de nivelación de goma (4)
 - Arandela plana (8), 3/8 pulg.
 - Tuerca hexagonal (8), 3/8 pulg.
- Enrosque una tuerca de 3/8 pulg. en cada uno de los pies de nivelación hasta que la tuerca esté a 1/2 pulg. (13 mm) del pie. Haga esto en los cuatro pies.
- Una el pie de nivelación como se muestra. Coloque una arandela de 3/8 pulg. en el lado inferior de la orejeta de montaje del pie, y otra arandela en la parte superior. Atornille los pies en su lugar con la otra tuerca de 3/8 pulg. Apriete las tuercas con una llave.

NOTA: Una vez puesto el cepillo en su lugar permanente, puede ser necesario ajustar los pies de nivelación.

AJUSTE DE LOS PIES DE NIVELACIÓN

Traslade el cepillo de juntas al lugar donde quedará durante el uso del mismo.

Para nivelar el gabinete, afloje la tuerca y suba o baje los pies de nivelación según sea necesario para ajustarlos. Ajuste los cuatro pies de nivelación si es necesario, y vuelva a apretar la tuerca.

NOTA: Estos elementos de nivelación no son para ajustar la altura, sólo la nivelación.

MONTAJE DEL MOTOR

Vea la figura 14.

- Coloque el gabinete en posición vertical invertida y ponga un bloque de 4 x 4 bajo el lado derecho del gabinete, de manera que la base quede inclinada como se muestra. De esta manera se eleva la montura del motor, de forma que esté a nivel con el piso y se facilite el montaje.
- Localice lo siguiente:
 - Pernos de carruaje (4), 5/16-18 x 1/2 pulg.
 - Tuercas hexagonales con brida dentada (4), 5/16 pulg.
 - Conjunto del motor e interruptor (1)
- **NOTA:** Este motor es pesado; puede ser necesario contar con ayuda adicional para asegurar en su lugar las tuercas y los pernos.
- Coloque el motor en la montura del mismo, como se muestra. Asegúrese de que el eje del motor quede orientado hacia la parte posterior del gabinete (en dirección opuesta a donde está la etiqueta RIDGID).
- Atornille el motor en la montura con los pernos de carruaje de 5/16 pulg. y las tuercas hexagonales de brida dentada de la misma medida. Los pernos deben colocarse a través de la montura del motor, en el soporte del motor, como se muestra. Todavía no apriete las tuercas en este momento.
- **NOTA:** Aún no monte el interruptor ni tienda el cordón a través del gabinete.

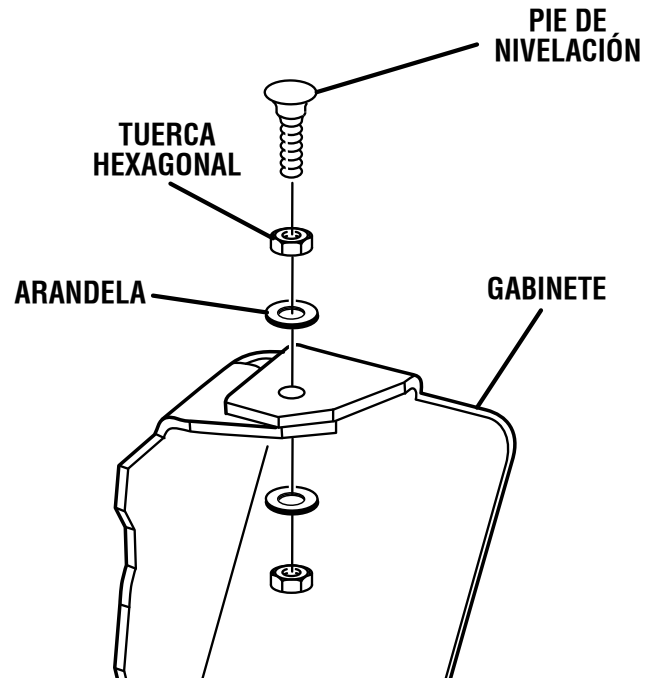


Fig. 13

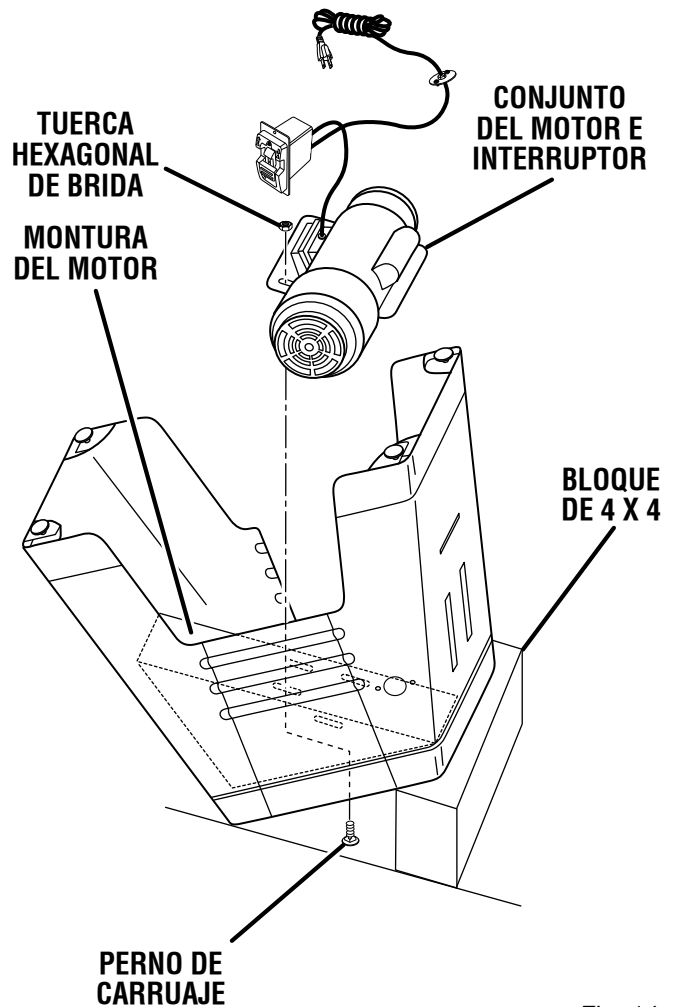


Fig. 14

ARMADO

MONTAJE DE LA MESA DEL CEPILLO EN EL GABINETE

Vea las figuras 15 y 16.

⚠ ADVERTENCIA:

Esta herramienta es pesada. Para evitar sufrir lesiones en la columna, levante con las piernas, no con la espalda, y obtenga ayuda cuando sea necesario.

- Con la ayuda de otra persona coloque el conjunto de la bancada en posición vertical invertida sobre dos bloques, como se muestra.
- Coloque el gabinete encima del conjunto de la bancada, como se muestra.
- Localice lo siguiente:
 - Pernos de cabeza hexagonal dentada (3), 3/8-16 x 3/4 pulg.
- Alinee los agujeros de la mesa del cepillo con los del gabinete.
- Atornille la mesa del cepillo al gabinete con pernos de cabeza hexagonal, apretando firmemente éstos. Para alcanzar el tercer perno, hágalo a través de la abertura de salida de aserrín, en el lado izquierdo.

MONTAJE DEL INTERRUPTOR

Vea la figura 17.

- Localice lo siguiente:
 - Llave del interruptor (1)
 - Tornillos (2), 3/16 pulg.
- Monte con tornillos de 3/16 pulg. el interruptor en su lugar, como se muestra. Asegúrese de que el interruptor quede con la orientación vertical correcta.
- Instale la llave del interruptor en éste.

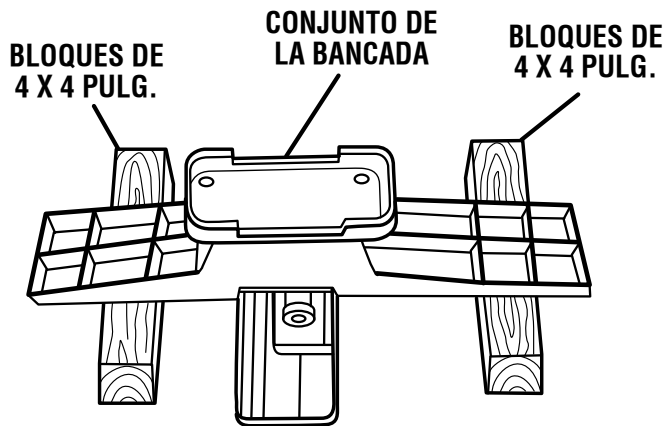


Fig. 15

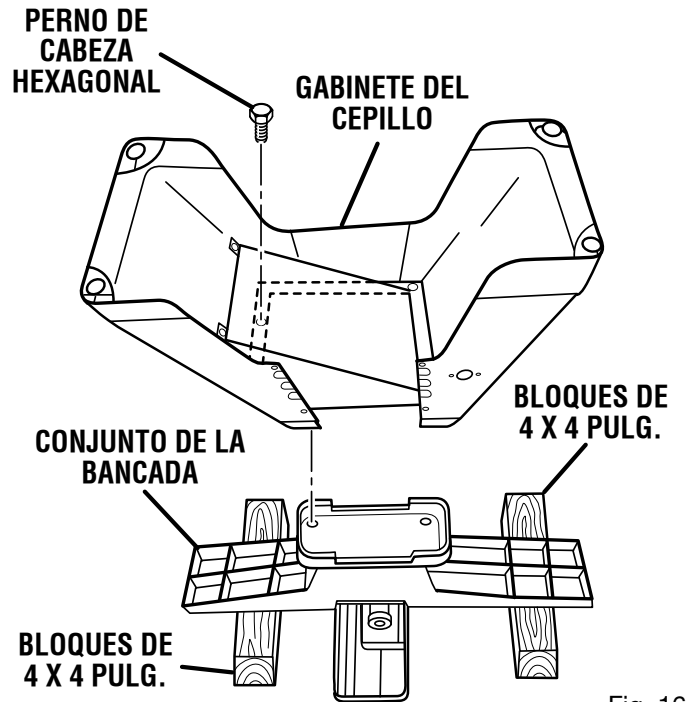


Fig. 16

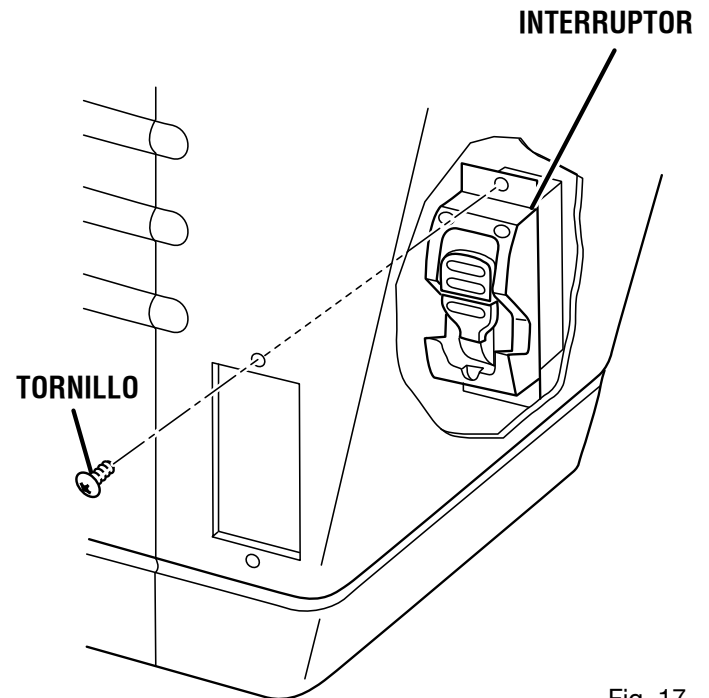


Fig. 17

ARMADO

MONTAJE DEL PANEL POSTERIOR

Vea la figura 18.

- Localice lo siguiente:
 - Pernos de carruaje (6), 5/16-18 x 1/2 pulg.
 - Tuercas hexagonales con brida dentada (6), 5/16 pulg.
 - Panel trasero del gabinete (1)
- NOTA:** Las orejetas del panel trasero deben estar en la parte interior de los paneles laterales antes de asegurarlo con tuercas y pernos.
- Coloque el panel trasero en su lugar a partir de la parte inferior del gabinete, como se muestra. Atorníllelo con pernos de carruaje de 5/16 pulg. y las tuercas de brida de la misma medida. Asegúrese de que las orejetas del panel trasero estén en la parte interior del gabinete. Apriete las tuercas.
- Tienda el cordón de corriente a través del agujero situado en la parte posterior del gabinete.
- Retire los tornillos y las arandelas de la placa del cable.
- Pase el cordón de corriente a través del agujero desde el interior de la caja hasta que la placa del cordón llegue al gabinete.
- Vuelva a instalar las arandelas y los tornillos desde el exterior del gabinete, con la placa del cordón a ras contra el interior del gabinete. Vuelva a apretar los tornillos.
- NOTA:** En esta etapa apriete firmemente todas las tuercas y pernos del gabinete, así como los pernos de montaje de la mesa del cepillo.

MONTAJE Y TENSADO DE LA CORREA

Vea la figura 19.

- Localice la correa en "V".
- Coloque la correa en "V" en ambas poleas, la del motor y la de la cabeza de corte.
- Mientras tiene el cepillo en posición vertical invertida, deslice hacia arriba la montura del motor para tensar la correa en "V". Para hacer esto se requiere ayuda. Una vez tensada la correa, apriete los pernos del motor. La correa debe tener aproximadamente una deflexión de 1 pulg. (es la distancia que puede empujarse lateralmente la correa).
- NOTA:** Un método alternativo de tensar la correa es pivotar hacia arriba la unidad, dejando que el motor se recorra hacia abajo en las ranuras, para que sólo el peso del motor tense la correa.
- Revise visualmente la alineación de adelante hacia atrás de las poleas y ajuste el motor según sea necesario.

MONTAJE DE LA PROTECCIÓN DE LA POLEA

Vea la figura 20.

- Localice lo siguiente:
 - Tornillos de cab. troncocónica dentada (4), 3/16-24 x 3/8 pulg.
 - Protección de la polea (1)
- Con ayuda de otra persona ponga en posición vertical normal el cepillo.

⚠ ADVERTENCIA:

Esta herramienta es pesada. Para evitar sufrir lesiones en la columna, levante con las piernas, no con la espalda, y obtenga ayuda cuando sea necesario.

- Monte la protección de la polea en su lugar con tornillos de 3/16 pulg, como se muestra.

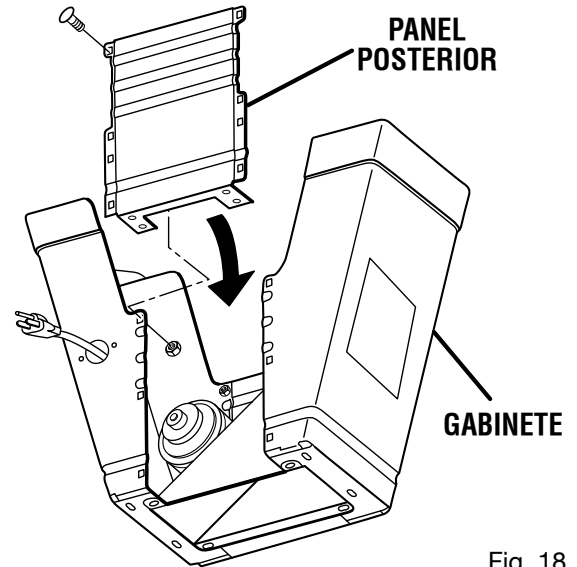


Fig. 18

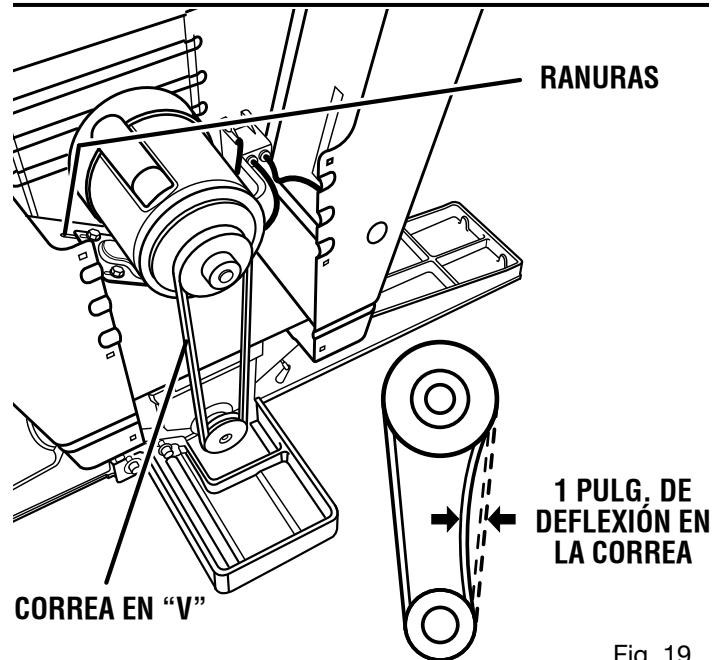


Fig. 19

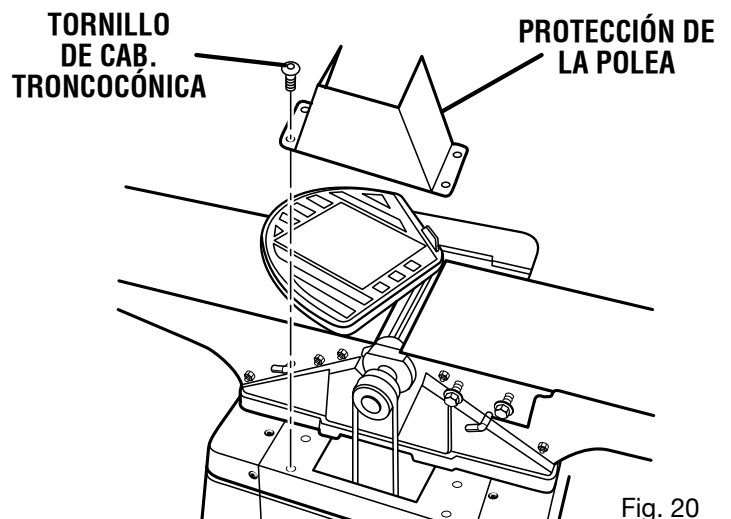


Fig. 20

ARMADO

MONTAJE DEL VOLANTE

Vea la figura 21.

- Localice lo siguiente:
Tornillo de cabeza troncocónica con arandela (1), 1/4-20 x 5/8 pulg.
Volante (1)
- Coloque el volante en el eje de elevación de la mesa de entrada e instale el tornillo de cabeza troncocónica con arandela, como se muestra.

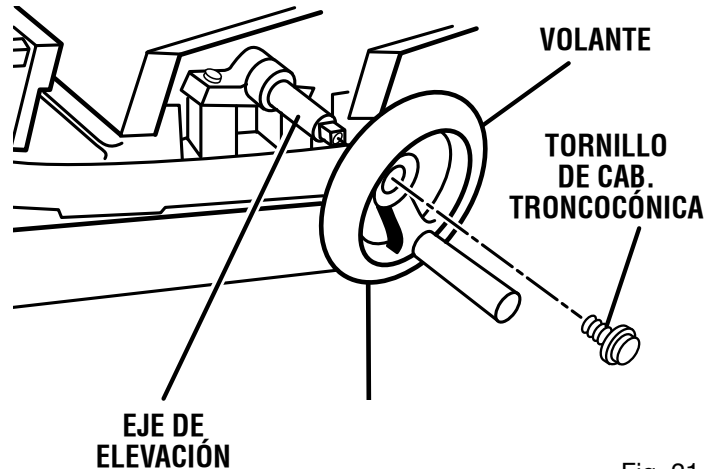


Fig. 21

MONTAJE DEL VERTEDERO DE ASERRÍN

Vea la figura 22.

- Localice lo siguiente:
Vertedero de aserrín (1)
Tornillos de mariposa (2), 1/4-20 x 1/2 pulg.
Cubo para llave (1), 8 mm/10 mm
Llave hexagonal (1), 3 mm
- Introduzca la orejeta del lado inferior del vertedero de aserrín en la ranura situada justo abajo del vertedero, en el lado izquierdo de la base. Fije el vertedero de aserrín colocando los tornillos de mariposa a través de las ranuras situadas en ambos lados del vertedero.
- La llave hexagonal y la llave española (vienen incluidas con el cepillo) empleadas para los ajustes de las cuchillas pueden guardarse convenientemente en el vertedero de aserrín, como se muestra.
NOTA: Si no está utilizando ningún sistema de captación de aserrín, simplemente afloje los tornillos de mariposa, levante y separe la parte inferior del vertedero, luego deslice éste hacia arriba y vuelva a apretar los tornillos de mariposa.

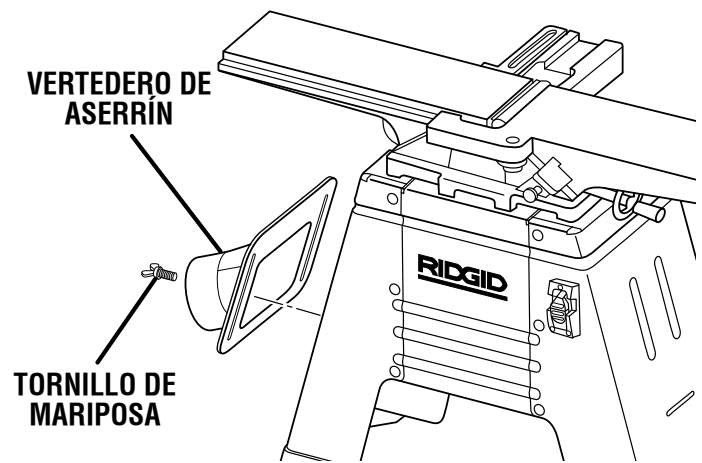


Fig. 22

MONTAJE DEL CONJUNTO DE LA GUÍA EN EL CONJUNTO DE LA CAMADA

Vea la figura 23.

- Localice lo siguiente:
Arandela (1), 1/2 pulg.
Tuerca "T" (1)
Conjunto de la guía (1)
Perilla de fijación de la guía (1)
Perilla de inclinación de la guía (1)
- **NOTA:** Al instalar la guía, las dos costillas situadas en la parte superior de la guía indican en qué parte de la mesa está situada la abertura de la cabeza de corte.
- **NOTA:** Mientras instala la guía en la mesa, no retire la cubierta protectora de la protección de la cabeza de corte.
- Acomode la guía en el soporte de ésta, como se muestra, asegurándose de que el chavetero del conjunto de la guía quede alineado con la chaveta de la montura de la guía.
- Una vez acomodada en su lugar la guía, introduzca la perilla de fijación de la guía a través de la arandela de 1/2 pulg., y luego a través del conjunto de la guía y de la montura de ésta. Enrosque la tuerca "T" en el extremo de la perilla de fijación. Asegúrese de que las orejetas de la tuerca estén asentadas en la ranura de la montura de la guía.
- **NOTA:** Las orejetas de la tuerca "T" deben estar colocadas hacia arriba de manera que entren en la ranura.
- Deslice la guía hacia adelante y hacia atrás para asegurarse de que se mueve libremente. Después fíjela en su lugar.
- Enrosque la perilla de inclinación de la guía en ésta.

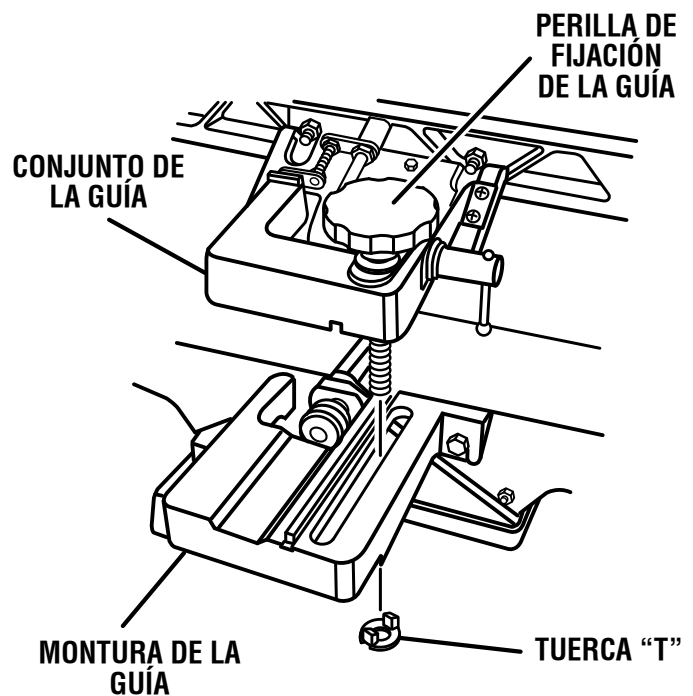


Fig. 23

ARMADO

MONTAJE DE LA PROTECCIÓN DE LAS CUCHILLAS

Vea la figura 24.

- Localice lo siguiente:
Conjunto de la protección de las cuchillas (1)
- Retire el tornillo de cabeza troncocónica de la parte inferior del poste de la protección de las cuchillas.
- Gire una vuelta a la izquierda la perilla de resorte mientras mira hacia abajo a través del agujero de la mesa de entrada.
- Mientras mira hacia abajo a través del agujero de la mesa de entrada, alinee la ranura del poste de la protección con el resorte de la perilla. Deslice el poste a través de la mesa de entrada y luego por el resorte de la perilla.

NOTA: El poste de la protección de las cuchillas limita el desplazamiento de dicha protección. Nunca modifique el poste ni retire la protección de las cuchillas antes de ninguna operación.

- Vuelva a instalar el tornillo de cabeza troncocónica en la parte inferior del poste de la protección.

VERIFICACIÓN DEL FUNCIONAMIENTO DE LA PROTECCIÓN DE LAS CUCHILLAS

Teniendo apagada la corriente, revise la protección para asegurarse de que funciona correctamente.

ADVERTENCIA:

La protección de las cuchillas cubre la cabeza de corte. Siempre debe estar en su lugar y funcionar debidamente para evitar lesiones causadas por tocar la cabeza de corte.

- Acomode la guía hasta la parte posterior de la bancada si desea lograr la máxima anchura de corte. No coloque la guía más allá de el borde trasero de las cuchillas.
- Pase una tabla de 1/4 pulg. (6 mm) de espesor por la cabeza de corte entre la protección y la guía.

La protección debe regresar automáticamente a la “posición de descanso” contra la guía al liberarla la pieza de madera. Si la protección no regresa rápidamente, ajuste el resorte de la misma, como se explica en la sección referente a los ajustes.

POSTE DE TOPE DE LA PROTECCIÓN DE LAS CUCHILLAS

El poste de la protección de las cuchillas está diseñado para limitar el pivoteo hacia afuera de dicha protección. Si el poste de tope no detiene el pivoteo de la protección, significa que se introdujo demasiado el poste. Golpee levemente hacia arriba el poste de tope por abajo de la mesa con un botador o con un punzón de embutir clavos. Ajuste el poste golpeándolo levemente para obtener la holgura y el funcionamiento debidos.

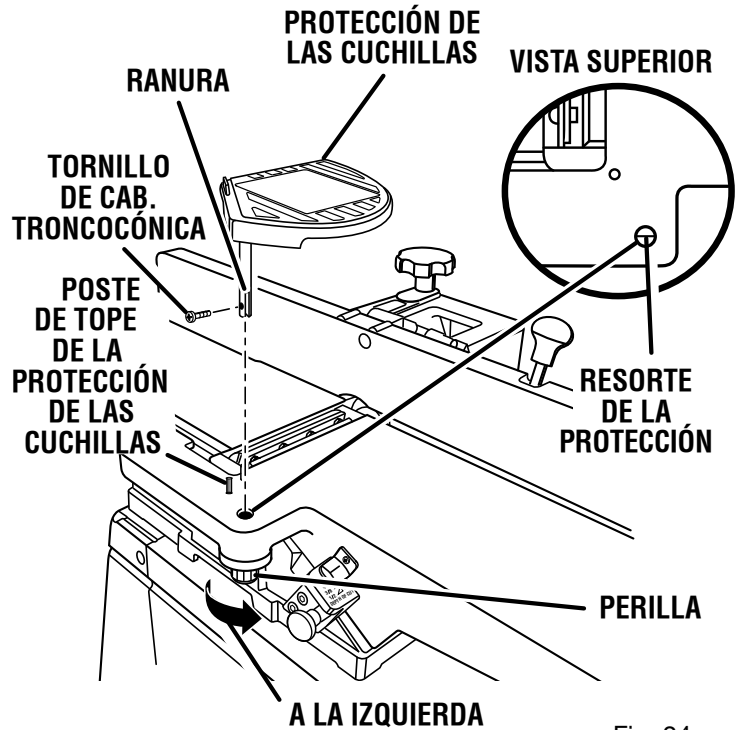


Fig. 24

FUNCIONAMIENTO

ADVERTENCIA:

No permita que su familiarización con las herramientas lo vuelva descuidado. Tenga presente que un descuido de un instante es suficiente para causar una lesión seria.

ADVERTENCIA:

Siempre utilice protección ocular que cubra los laterales con la etiqueta que indique el cumplimiento de la norma ANSI Z87.1 La inobservancia de esta advertencia puede causar el lanzamiento de objetos a los ojos, y por consecuencia posibles lesiones serias.

ADVERTENCIA:

No utilice ningún aditamento o accesorio no recomendado por el fabricante de esta herramienta. El empleo de aditamentos o accesorios no recomendados puede causar lesiones serias.

APLICACIONES

Esta herramienta puede emplearse para los fines enumerados abajo:

- Este cepillo de juntas es para madera solamente
- Elaboración de juntas/Cepillado
- Rebajado
- Biselado/Achaflanado

FUNCIONAMIENTO BÁSICO DEL CEPILLO DE JUNTAS

El cepillo de junta permite efectuar pasadas largas y uniformes. Se usa para cepillar los cantos delgados largos de las tablas que van a unirse por los cantos. Este proceso de alisamiento elimina los posibles espacios existentes entre las dos tablas cuando se colocan lado a lado. Esta herramienta sirve para preparar y acabar la madera para lograr un trabajo más preciso. Se le da el tamaño a la madera o se alisa pasándola por la cabeza de corte giratoria. El cepillo aplanar las tablas que están levemente combadas y escuadra los cantos de la madera. El cepillo se utiliza para alisar las superficies o para reducir las caras de las tablas.

CAUSAS DE LOS CONTRAGOLPES

Puede causarse un contragolpe cuando no se avanza correctamente la pieza de trabajo contra la cabeza de corte, y resulta lanzada en retroceso hacia el operador con gran fuerza y velocidad. Si las manos del operador están cerca de las cuchillas, pueden soltarse de la pieza de trabajo y tocar la cabeza de corte. El contragolpe puede causar lesiones graves y vale la pena tener precauciones para evitar riesgos.

- Efectuar un corte con una profundidad de corte incorrecta
- Efectuar operaciones en nudos o clavos presentes en la pieza de trabajo
- Girar la madera al efectuar un corte
- No sujetar la pieza de trabajo
- Efectuar cortes forzados
- Cortar madera combada o húmeda

- Avanzar la pieza en dirección equivocada
- No seguir los procedimientos correctos de trabajo
- Cortar con cuchillas desafiladas o ajustadas de forma incorrecta

FORMA DE EVITAR CONTRAGOLPES

- Siempre que sea posible utilice bloques o palos de empujar.
- Siempre dé apoyo a las piezas de trabajo largas.
- Siempre sostenga la pieza de trabajo con ambas manos o con bloques o palos de empujar. Mantenga el cuerpo en una posición equilibrada para estar preparado para resistir un contragolpe si llega a ocurrir. Nunca se pare en línea frente a la cabeza de corte.
- Siempre utilice cuchillas limpias, afiladas y ajustadas correctamente. Nunca efectúe cortes con cuchillas sin filo.
- Apoye adecuadamente la pieza de trabajo antes de iniciar un corte.
- Aplique una presión estable y uniforme al efectuar el corte. Nunca efectúe cortes forzados.
- No corte madera combada o húmeda.
- Para obtener resultados óptimos en la mayoría de las operaciones, ajuste la profundidad de corte entre 1/32 y 1/16 pulg. (0,8 y 1,5 mm). Un corte profundo dificulta avanzar la madera y puede causar un contragolpe. Para asegurarse de efectuar la profundidad de corte planeada, siempre baje levemente la mesa de entrada más abajo de la profundidad deseada, y luego súbala a ésta.
- Efectúe el corte completo sin detenerse ni retroceder la pieza de trabajo.

ASEGURAMIENTO DEL INTERRUPTOR DE ENCENDIDO

Veá la figura 25.

- Para ENCENDER (I) la herramienta, levante el botón del interruptor.
- Para APAGAR (O) la herramienta, oprima hacia abajo el botón del interruptor.
- Retire la llave del conjunto del interruptor. Guarde la llave en un lugar seguro.

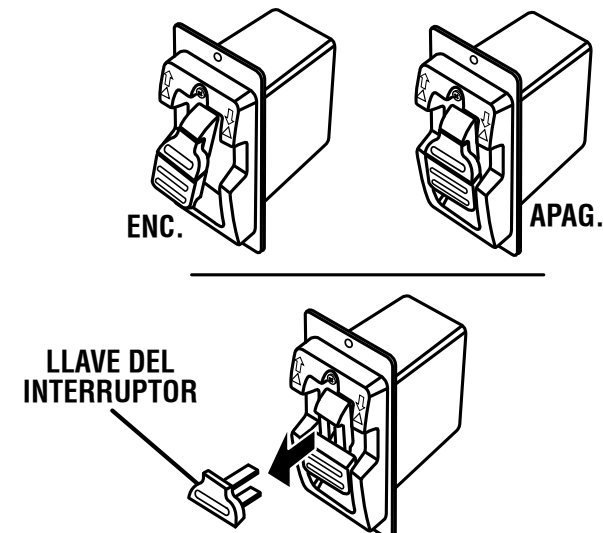


Fig. 25

FUNCIONAMIENTO

ANTES DE ALEJARSE DEL CEPILLO DE JUNTAS

- Ponga el interruptor en la posición de APAGADO (O). Espere a que se detenga completamente el cepillo de juntas.
- Retire la llave del conjunto del interruptor. Guarde la llave en un lugar seguro.
- Desconecte el cepillo de juntas del suministro de corriente.
- Haga su taller a prueba de niños.
- Cierre con llave el taller.

EMPLEO DE AYUDAS PARA CORTAR

Vea la figura 26.

Los palos empujadores son dispositivos utilizados para empujar de manera segura la pieza de trabajo a través de la cabeza de corte en lugar de utilizar las manos. Se pueden hacer a partir de madera de desperdicio, en varios tamaños y formas para utilizarse en proyectos específicos. El palo empujador debe ser más angosto que la pieza de trabajo, con una muesca a 90° en un extremo y la forma para sujetarlo con la mano en el otro extremo.

Un bloque empujador tiene instalado un mango fijado con tornillos empotrados por el lado inferior. Se utiliza en cortes sin traspaso del espesor de la pieza de trabajo.

EMPLEO DE BLOQUES Y PALOS DE EMPUJAR

Vea la figura 27.

Siempre que sea posible use los bloques o los palos de empujar al cepillar para unir o al rebajar madera. Los bloques de empujar deben usarse para el cepillado de acabado.

Sujete firmemente los palos o bloques de empujar con los dedos juntos y puestos alrededor del mango. Coloque el bloque o palo empujador sobre la pieza de trabajo y oprímala contra la mesa. De esta manera se obtiene un corte de buena calidad y se reduce al mínimo el peligro de un contragolpe.

La presión hacia abajo también debe ser suficiente para evitar que el bloque o palo empujador se deslice o resbale por la cara de la pieza de trabajo al avanzarla por la cabeza de corte.

Alternando las manos con los bloques o palos empujadores, tenga cuidado de mantener bajo control la pieza de trabajo en todo momento. Esto significa que una vez que haya pasado la pieza de trabajo por la cabeza de corte y esté en la mesa de salida, siempre debe estar un bloque o palo empujador tocando la pieza de trabajo.



ADVERTENCIA:

Para contrarrestar la tendencia de los bloques empujadores de deslizarse al avanzar la pieza de trabajo, limpie según sea necesario la superficie de goma con papel de lija. Cualquier deslizamiento del bloque empujador puede causar lesiones serias.

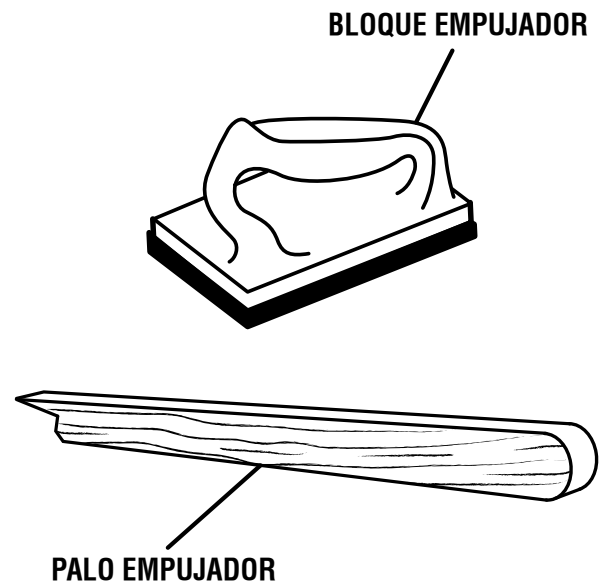


Fig. 26

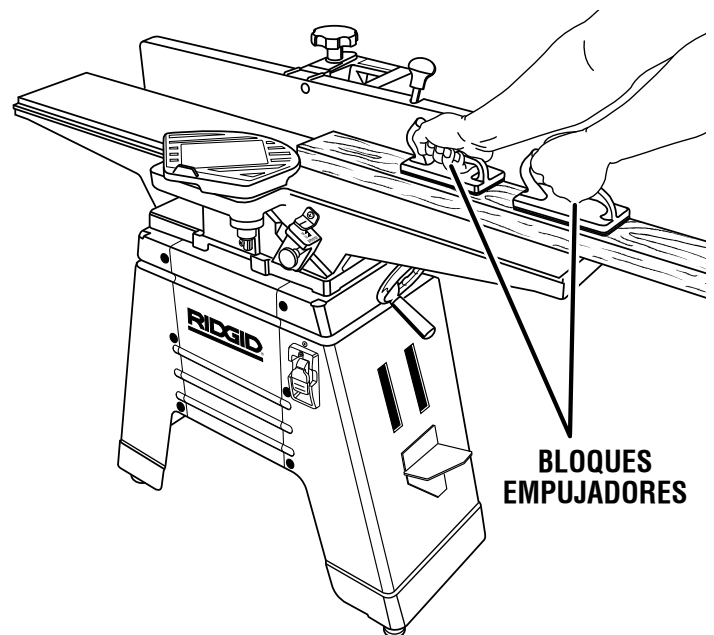


Fig. 27

FUNCIONAMIENTO

⚠️ ADVERTENCIA:

Nunca pase ninguna mano por la cabeza de corte durante ninguna operación. La inobservancia de esta advertencia podría causar lesiones corporales serias.

Nunca cepille madera de un espesor inferior a 3/4 pulg (19 mm). Puede partirse o hacerse pedazos, y por lo tanto tiene mayor tendencia a dar un contragolpe. La madera de un espesor inferior a 3/4 pulg (19 mm) se resbala bajo la protección de las cuchillas y puede atorarse.

⚠️ PRECAUCIÓN:

Antes de poner el interruptor en la posición de ENCENDIDO, asegúrese de que esté correctamente instalada la protección de las cuchillas y de que el poste de tope de la protección de las cuchillas esté limitando el desplazamiento de dicha protección.

FUNCIONAMIENTO DEL VOLANTE DE PROFUNDIDAD DE CORTE

Vea la figura 28.

Girando a la derecha el volante se baja la mesa de entrada. De esta manera se elimina más madera de la pieza de trabajo durante la operación de corte.

Girando a la izquierda el volante se sube la mesa de entrada, y se elimina menos madera de la pieza de trabajo.

La máxima cantidad de madera que puede eliminarse en un corte es 1/8 pulg. (3 mm).

FUNCIONAMIENTO DEL PASADOR DE TOPE

Vea la figura 29.

El pasador de tope sirve para evitar cepillar (para acabar o para unir piezas) más de 1/8 pulg. (3 mm) de profundidad de corte. No se recomienda cepillar más de 1/8 pulg. (3 mm) por pasada. Pueden efectuarse rebajos mayores de 1/8 pulg. (3 mm) extrayendo el pasador de tope y bajando la mesa de entrada en incrementos de 1/8 pulg. (3 mm). El pasador vuelve automáticamente a su posición inicial cuando el operador vuelve al intervalo de profundidad de corte de 0 pulg. a 1/8 pulg. (3 mm). Nunca cepille rebajos de 1/2 pulg. (13 mm) en un solo corte. Corte en incrementos de 1/8 pulg. (3 mm) hasta llegar a la profundidad de corte final deseada.

⚠️ ADVERTENCIA:

Para evitar lesiones serias, nunca efectúe cortes de rebajo mayores de 1/2 pulg. (13 mm).

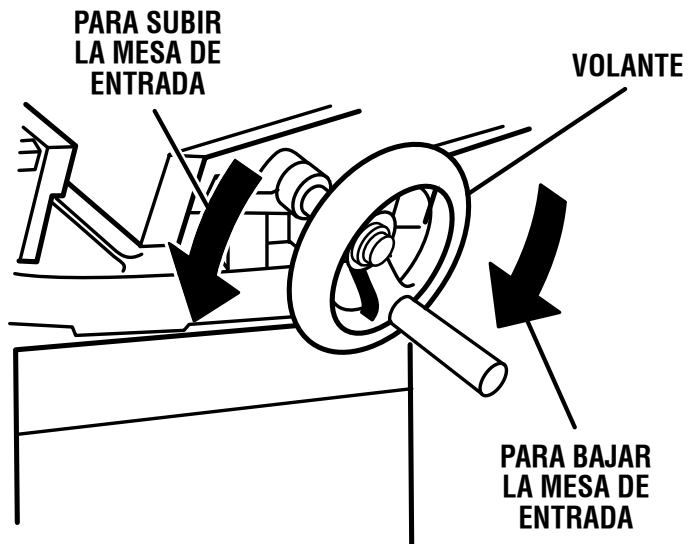


Fig. 28

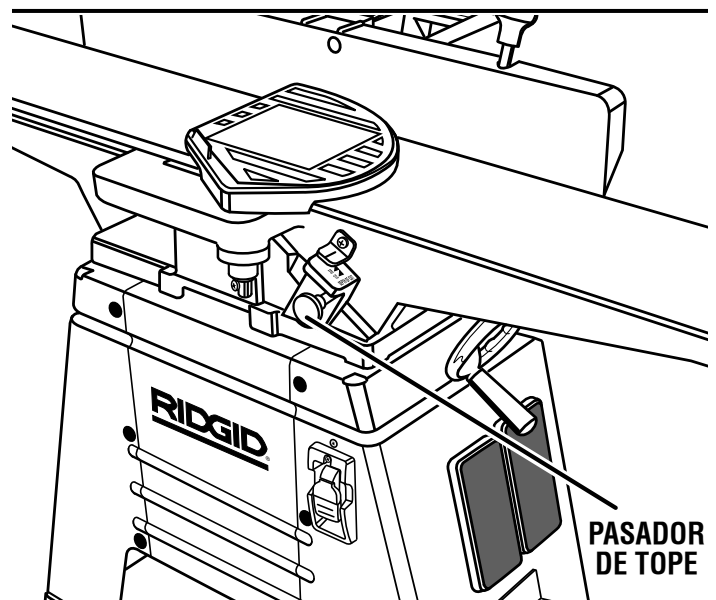


Fig. 29

FUNCIONAMIENTO

AVANCE DE LA PIEZA DE TRABAJO PARA EFECTUAR CEPILLADO DE ACABADO O PARA UNIR PIEZAS

Vea las figuras 30 y 31.

Antes de cepillar asegúrese de que estén debidamente instaladas las cuchillas y estén apretados los tornillos de fijación. Asegúrese de que las abrazaderas y seguros estén apretados y de que no haya juego en ninguna de las piezas.

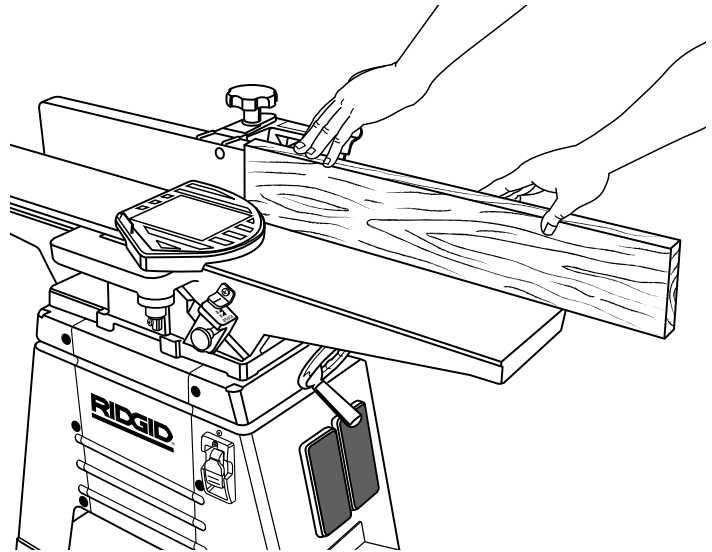
⚠ ADVERTENCIA:

Efectúe pruebas para ver la estabilidad de la pieza de trabajo con y sin los bloques de empujar antes de encender el cepillo de juntas. De lo contrario puede producirse un contragolpe de la pieza de trabajo, con el consiguiente riesgo de lesiones serias.

- Apoye las piezas de trabajo largas tanto en la mesa de entrada como en la de salida.
 - Para obtener resultados óptimos en la mayoría de las operaciones, ajuste la profundidad de corte entre 1/32 y 1/16 pulg. (0,8 y 1,5 mm). Un corte profundo dificulta avanzar la madera y puede causar un contragolpe. Para asegurarse de efectuar la profundidad de corte planeada, siempre baje levemente la mesa de entrada más abajo de la profundidad deseada. Después suba la mesa a la profundidad deseada.
 - Siempre que sea posible avance la pieza paralelamente a la fibra de la madera. Cuando sea necesario avanzar la pieza de trabajo perpendicularmente a la fibra de la madera, efectúe cortes muy leves y avance lentamente la pieza para reducir al mínimo el astillamiento, el rompimiento y un peligroso contragolpe de la misma.
 - Mantenga una presión uniforme en la pieza de trabajo y manténgala firmemente presionada contra la guía.
 - A medida que el borde delantero de la tabla pase por la cabeza de corte, desplace levemente la presión hacia adelante de dicha cabeza, a la mesa de salida, lejos de la mesa de entrada. Mantenga la presión en la mesa de salida y cerca de la cabeza de corte durante el resto del corte.
 - Alternando las manos, libere la mano delantera y póngala atrás, para continuar avanzando la pieza.
- NOTA:** Planifique la colocación de las manos de manera que los dedos no estén en ninguna parte donde un resbalón pudiera hacerlos caer en la cabeza de corte. Al utilizar solamente un palo o bloque empujador para avanzar la madera, no ponga la otra mano en el cepillo, en la pieza de trabajo o en el palo o bloque.

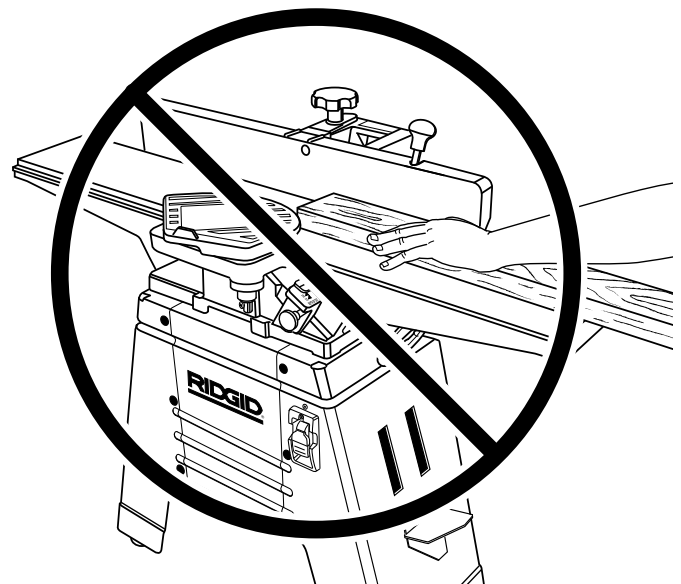
- Avance la tabla a una velocidad uniforme hasta efectuar el corte a todo el largo de la tabla. Toda detención o aminoración en la velocidad de avance causa “mordidas” en la tabla, la cual quedará desigual al terminarse el cepillado.

NOTA: Si es difícil mantener una velocidad de avance uniforme, posiblemente la mesa o la guía necesiten encerarse.



FORMA CORRECTA

Fig. 30



FORMA INCORRECTA

Fig. 31

FUNCIONAMIENTO

CEPILLADO PARA ACABAR

Vea la figura 32.

El cepillado para acabar es la eliminación de madera de la superficie o cara más ancha de la tabla para hacerla plana y lisa.

El cepillado para acabar en un cepillo juntero no necesariamente escuadra la cara que se cepilla ni la hace paralela a ninguna otra superficie. El cepillado para acabar en un cepillo de juntas solamente alisa y aplanar. Si está planeando cepillar una tabla para acabarla y para unirla, debe efectuar primero la operación de cepillado para acabado. Esto permite cepillar el canto que va a unirse a escuadra con la cara que se cepilló para dejarla plana y lisa.

CEPILLADO PARA UNIR

Vea la figura 33.

El cepillado para unir es la eliminación de madera a lo largo del canto de una pieza de madera para dejarlo recto, liso y a escuadra con la cara que está contra la guía. Para efectuar un corte a escuadra, la cara de la pieza de trabajo debe mantenerse abatida contra la guía durante todo el corte.

BISELADO/ACHAFLANADO

Vea la figura 34.

⚠ ADVERTENCIA:

Al biselar o achaflanar siempre use bloques de empujar. La inobservancia de esta advertencia podría causar lesiones corporales serias.

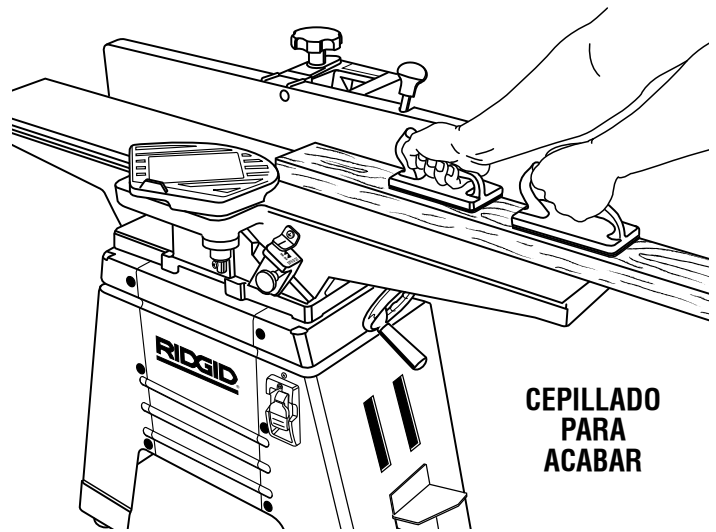
- Ajuste la guía al ángulo deseado. Fije la guía en la posición deseada con la perilla de inclinación y la de deslizamiento de aquella.
- Efectúe una pasada de prueba para asegurarse de que tiene la pieza de trabajo bajo control.

NOTA: La sola remoción de la esquina del canto de una tabla se conoce como achaflanado, y la completa remoción de la esquina del canto hasta la superficie de la tabla se conoce como biselado.

El chaflán se logra normalmente con un corte y solamente se corta la esquina de la madera. Por lo tanto, puede efectuarse un corte a una profundidad mayor de 1/16 pulg. (1,5 mm).

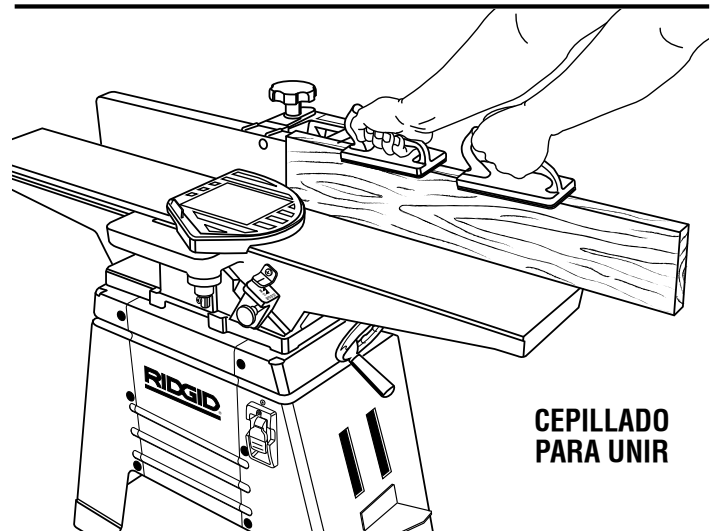
⚠ ADVERTENCIA:

No toque las cuchillas de corte ni la protección con los empujadores. La inobservancia de esta advertencia podría causar lesiones corporales serias.



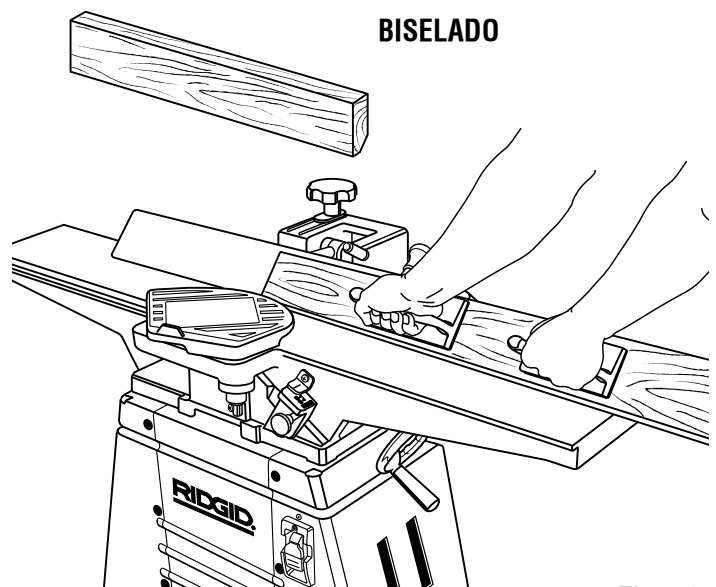
CEPILLADO PARA ACABAR

Fig. 32



CEPILLADO PARA UNIR

Fig. 33



BISELADO

Fig. 34

FUNCIONAMIENTO

UTILIZACIÓN DE LA INCLINACIÓN DE LA GUÍA Y DE LOS TOPES DE BISEL

Vea la figura 35.

⚠️ ADVERTENCIA:

Para reducir el riesgo de lesiones debido a un arranque accidental, asegúrese de que el interruptor esté en la posición de APAGADO (O), y de que la clavija no esté conectada en la toma de corriente.

Esta herramienta dispone de topes de bisel a 90°, 45° y 135°. Estos topes de bisel se ajustan en la fábrica, pero deben revisarse para ver si están a escuadra.

Para verificar si están a escuadra:

- Coloque el calibre de ángulos en la tabla de salida y revise la guía mientras la tiene fija en la posición de 90°.

NOTA: Para asegurar la precisión y la repetibilidad de los topes, la parte inferior del lado de salida de la guía debe descansar firmemente contra la mesa de salida y contra la cabeza del tornillo de tope. Asegúrese de que la mesa de entrada no interfiera en la precisión de la medición.

Debe bajarse la mesa de entrada a una profundidad de 1/16 pulg. (1,5 mm). por lo menos. Verifique la precisión del ajuste de la guía utilizando los topes. Si la guía no está exactamente a 90°, 45° o 135° con respecto a la mesa de salida, realice el siguiente procedimiento:

AJUSTE DE LA GUÍA PARA EL TOPE DE BISEL A 90°

Vea la figura 36.

- Afloje la manija de fijación de bisel.
- Asegúrese de que la guía esté apretada contra el tope y verifique el ángulo con el calibre de ángulos suministrado.
- Afloje la contratuerca del tornillo del tope de 90°.
- Utilizando el calibre de ángulos, escuadre la guía con respecto a la mesa de salida y apriete la manija de fijación de bisel.
- Gire el tornillo del tope de manera que toque el tope. Apriete la contratuerca.
- Afloje la manija de fijación de bisel.
- Mueva la guía a cualquier ángulo y después regrésela al tope de 90°. Verifique la precisión con el calibre de ángulos.

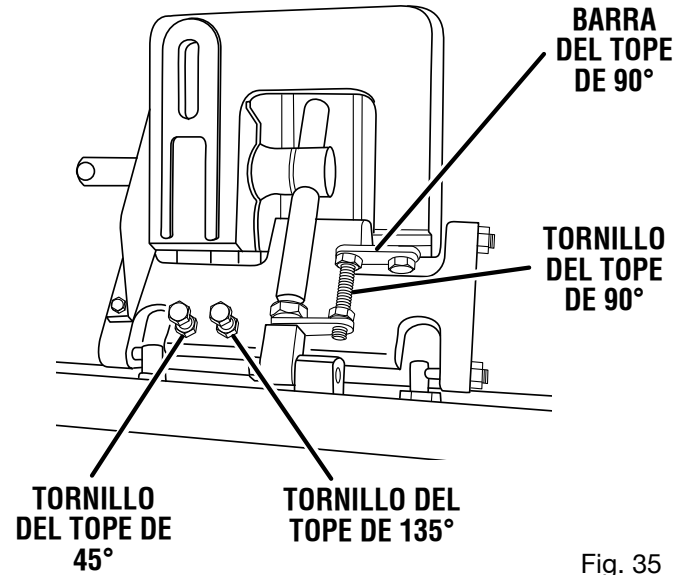


Fig. 35

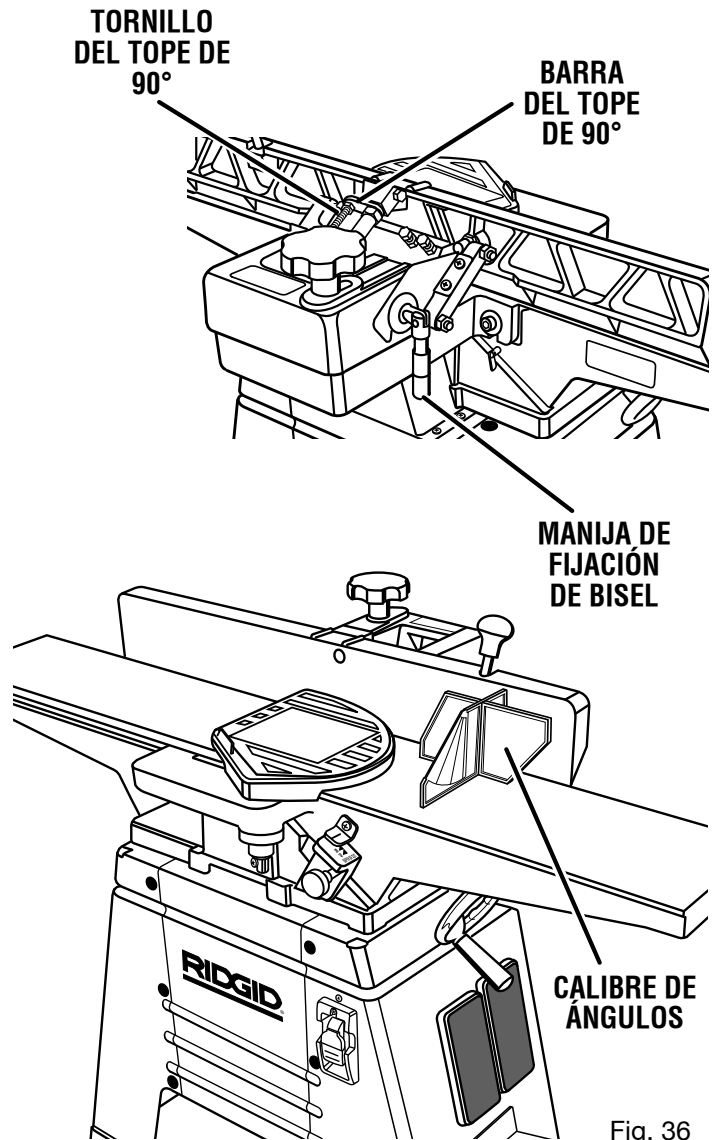


Fig. 36

FUNCIONAMIENTO

AJUSTE DE LA GUÍA PARA EL TOPE DE BISEL A 135°

Veá la figura 37.

- Afloje la manija de fijación de bisel.
- Quite de en medio la barra del tope de 90° y mueva la guía hasta hacerla tocar el tope de 135°.
- Asegúrese de que la guía esté apretada contra el tope y verifique el ángulo con el calibre de ángulos suministrado.
- Utilizando el calibre de ángulos, ajuste la guía a 135° con respecto a la mesa de salida y apriete la manija de fijación de bisel.
- Afloje la contratuerca del tornillo del tope de 135°.
- Gire el tornillo del tope de manera que toque el tope. Apriete la contratuerca.
- Afloje la perilla de fijación de bisel.
- Mueva la guía a cualquier ángulo y después regrésela al índice. Verifique la precisión con el calibre de ángulos.

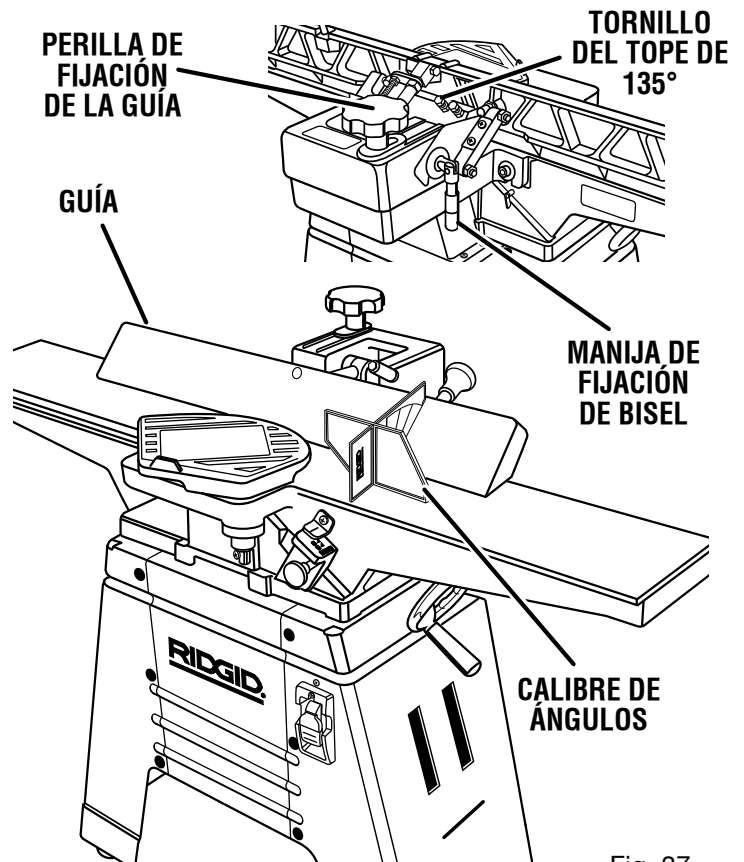


Fig. 37

FUNCIONAMIENTO

REALIZACIÓN DE UN CORTE DE REBAJADO

Vea la figura 38.

El rebajado es similar al cepillado para unir, excepto que solamente se cepilla una parte del canto.

⚠️ ADVERTENCIA:

Nunca retire la protección de la cabeza de corte al efectuar ninguna operación. La inobservancia de esta advertencia podría causar lesiones corporales serias.

- Sostenga firmemente la pieza de trabajo contra la guía. No efectúe cortes de más de 1/8 pulg. (3 mm). de ancho.
- Para efectuar un rebajo más profundo, realice el cepillado en incrementos de 1/8 pulg. (3 mm) de profundidad. Debido a que la pieza de trabajo está soportada por la mesa de salida durante el corte de rebajado, debe bajarse la mesa de entrada después de cada pasada.

FUNCIONAMIENTO DE LA GUÍA DESLIZABLE

Vea la figura 39.

⚠️ ADVERTENCIA:

Las piezas en movimiento pueden causar lesiones. Apague el cepillo juntero y espere a que se detengan todas las piezas antes de ajustar la guía. La inobservancia de esta advertencia podría causar serias lesiones originadas por tocar las cuchillas u otras piezas en movimiento.

Cuando no está cepillándose a todo el ancho, la guía puede desplazarse a través del cepillo juntero para aprovechar al máximo todo el filo de las cuchillas.

Cuando las cuchillas están nuevas o recién afiladas, debe colocarse la guía hasta la parte posterior de las mesas de salida y de entrada, pero no más allá del extremo de las cuchillas.

La mayoría del cepillado (usualmente cepillado para unir piezas) se efectúa con la guía en esta posición. A medida que se desafilan las cuchillas, puede moverse la guía hacia la protección, donde están más afiladas las cuchillas.

Para mover la guía, apague el cepillo de juntas, afloje la perilla de la guía deslizable, y deslice la guía a la posición deseada.

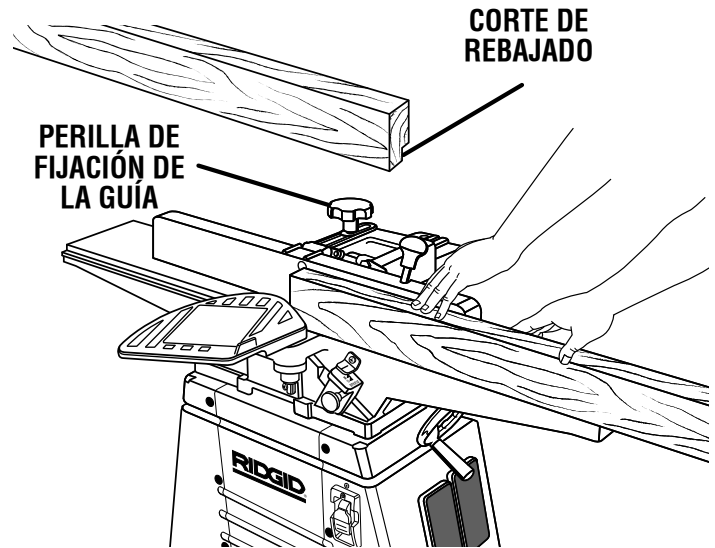


Fig. 38

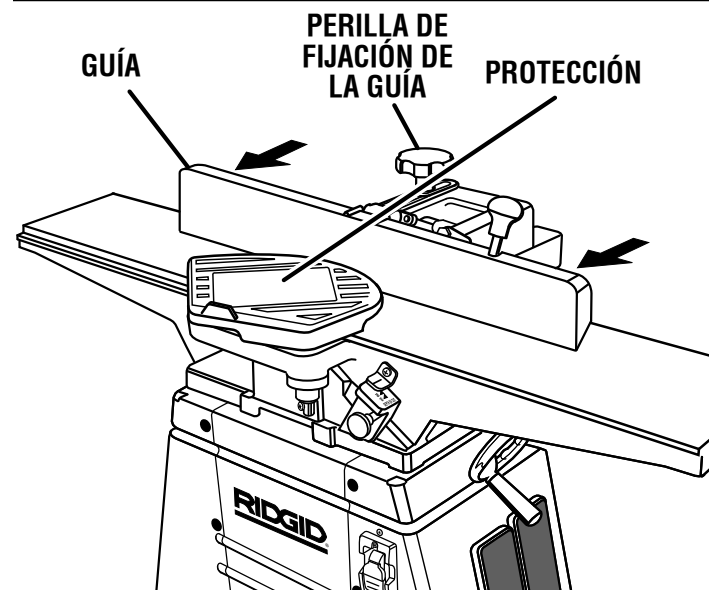


Fig. 39

AJUSTES

⚠️ ADVERTENCIA:

Antes de efectuar cualquier ajuste, asegúrese de que la herramienta esté desconectada del suministro de corriente y de que el interruptor esté en la posición de APAGADO (O). La inobservancia de esta advertencia podría causar lesiones corporales serias.

ALINEACIÓN Y AJUSTE DE LAS CUCHILLAS

Veá las figuras 40 y 41.

Estas cuchillas se ajustan en la fábrica y normalmente no requieren reajustarse. Si después de un tiempo se desalinean las cuchillas, para volver a alinearlas siga los pasos descritos abajo.

⚠️ ADVERTENCIA:

Las cuchillas están sumamente afiladas. No toque con la mano o los dedos las cuchillas. La inobservancia de esta advertencia podría causar lesiones corporales serias.

- Desconecte el cepillo de juntas.

Verificación de la alineación:

- Baje la mesa de entrada; para ello, gire hacia la derecha el volante de profundidad de corte.
- Coloque la guía hacia la parte posterior del cepillo de juntas, aproximadamente a 1/4 pulg. (6,5 mm) más allá del extremo de las cuchillas. Fije la guía en esta posición.
- Retire la protección de la cabeza de corte.
- Coloque una regla en la mesa de salida, extendiéndola por encima de la cabeza de corte, como se muestra.
- Ajuste la mesa de salida de manera que la regla toque levemente una de las cuchillas al girarse la cabeza de corte. Revise un lado de la cuchilla, después mueva la regla y revise el otro lado de la cuchilla. Si la cuchilla levanta la regla o no la toca, ajuste la primera según sea necesario (consulte el procedimiento descrito abajo). Revise todas las tres cuchillas de la misma forma.

Ajuste de las cuchillas:

- Afloje los tornillos de fijación de la cuchilla con la llave de 8 mm, girando ésta hacia la guía. Retire todas las piezas y límpielas a fondo con un limpiador de goma y pasta. Vuelva a instalar las piezas, asegurándose de que la cuchilla sobresalga 1/16 pulg. (1,5 mm) de la cabeza de corte, todo esto como se muestra.
- Coloque una regla en la mesa de salida, extendiéndola por encima de la cabeza de corte, como se muestra. Coloque la regla por encima del extremo de una de las cuchillas más próximas a la guía.
- Gire la cabeza de corte de manera que la cuchilla en ajuste quede en el punto más elevado.

- Ajuste el tornillo nivelador más cercano a la regla, de manera que la cuchilla toque apenas la regla a medida que se gira la cabeza de corte y no haya ningún espacio entre la mesa de salida y la regla.
- Mueva la regla al otro extremo de la cabeza de corte y repita el paso descrito arriba con el segundo tornillo nivelador.
- Apriete los tornillos de fijación la cuchilla.
- Repita el proceso de ajuste de las cuchillas con las otras.

NOTA: Gire la cabeza de corte dos vueltas completas para asegurarse de que gire libremente y de que las cuchillas libren la bancada del cepillo de juntas.

- Vuelva a revisar rápidamente todas las cuchillas con la regla para asegurarse de que todas estén niveladas y escuadradas.

NOTA: Le suplicamos consultar la figura 40 al volver a instalar las cuchillas.

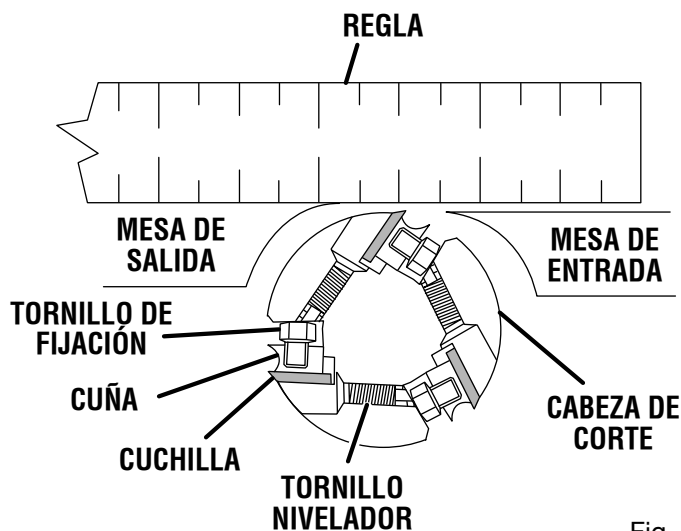


Fig. 40

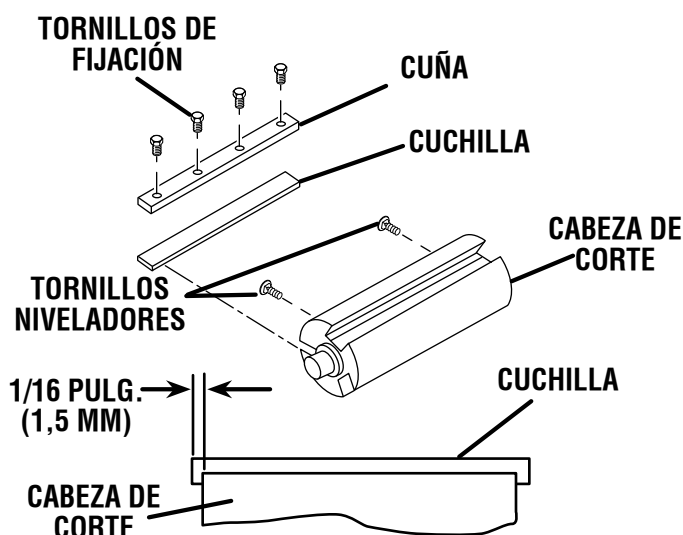


Fig. 41

AJUSTES

AJUSTE DE LA MESA DE SALIDA

Proceda como sigue para revisar esta alineación:
Vea la figura 42.

⚠️ ADVERTENCIA:

Para reducir el riesgo de lesiones debido a un arranque accidental, asegúrese de que el interruptor esté en la posición de APAGADO (O), y de que la clavija no esté conectada en la toma de corriente.

NOTA: La mesa de salida se ajusta en la fábrica y normalmente no requiere reajustarse.

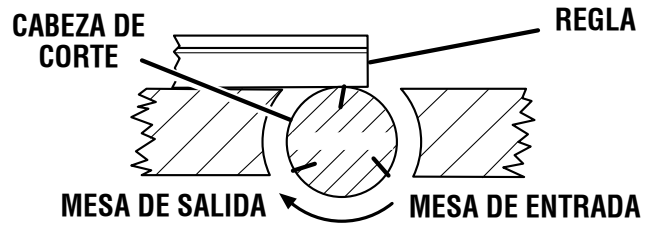
- Coloque una regla en la mesa de salida, extendiéndola por encima de la cabeza de corte, como se muestra.
- Gire manualmente la cabeza de corte. Las cuchillas deben tocar levemente la regla. Si una de las cuchillas está demasiado baja o alta en cualquiera de ambos extremos, ajústela.
- Si la mesa de salida necesita ajustarse, afloje los seguros de tornillo de mariposa de la misma. Suba o baje la mesa de salida según se requiera; para ello, gire la perilla de la mesa hasta que ésta quede exactamente a nivel con las cuchillas de la cabeza de corte en el punto más elevado de su giro.
- Después de poner la mesa de salida a la altura correcta, asegúrela en su lugar con los seguros de tornillo de mariposa de la misma. Debe no cambiarse excepto después de afilar las cuchillas.
- Si está demasiado alta la mesa de salida, la superficie acabada quedará curvada, como se muestra.
- Si está demasiado baja la mesa de salida, la superficie acabada quedará acanalada al final del corte.
- Como verificación final del ajuste de la mesa de salida, pase lentamente una tabla por las cuchillas, de 6 pulg. a 8 pulg. (15 a 20 cm); debe descansar firmemente en ambas mesas, como se muestra, sin ningún espacio abierto bajo el corte terminado.

AJUSTE DE LOS PUNTALES DE LAS MESAS

Vea la figura 43.

Hay unos "puntales" encargados de contrarrestar todo el juego existente entre las correderas de cola de milano compañeras de la base y de las mesas de entrada y salida del cepillo. Es necesario un ajuste correcto de los puntales para obtener un funcionamiento adecuado del cepillo. Los puntales de la máquina se ajustan en la fábrica y normalmente no requieren reajustarse. No obstante, para ajustar los puntales cuando sea necesario, proceda como sigue:

- Afloje cada una de las tuercas de seguridad. Asegúrese de que estén flojos los seguros de las mesas.
- Apriete manualmente cada tornillo fijador a su vez, hasta que "toque fondo". No apriete excesivamente los tornillos.
- Vuelva a verificar el juego de la mesa. Si aún está floja la mesa, repita el paso descrito arriba. Si está apretada la mesa, apriete las tuercas de seguridad de los tornillos fijadores sin permitir ningún giro de los tornillos fijadores.
- Verifique que la mesa suba y baje libremente con el volante de elevación. Si hay demasiada resistencia, afloje los tornillos fijadores y repita el ajuste.



VERIFICACIÓN DE LA ALINEACIÓN DE LA MESA DE SALIDA

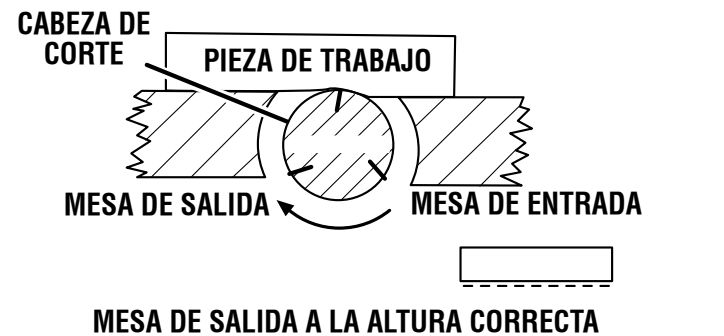
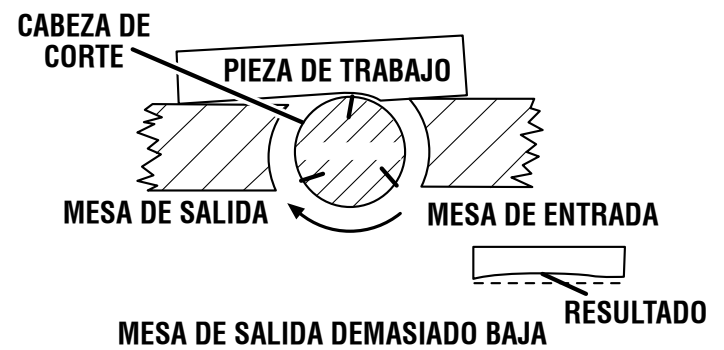
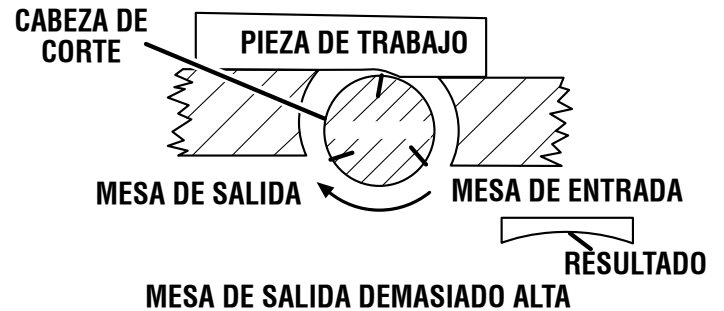


Fig. 42

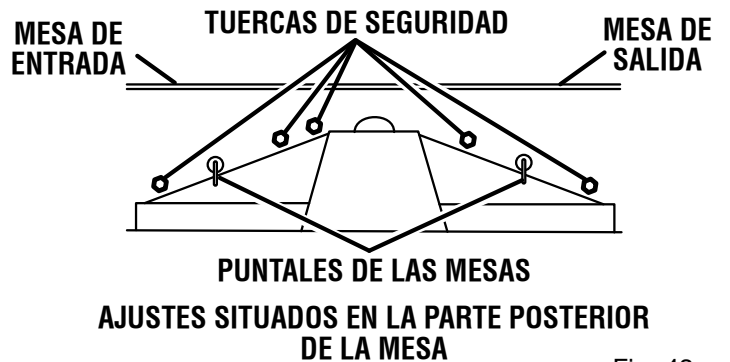


Fig. 43

AJUSTES

UTILIZACIÓN DEL CALIBRE DE ÁNGULOS

Vea la figura 44.

El cepillo RIDGID viene con un calibre de ángulos para fijar la guía al ángulo correcto. Para ensamblar el calibre deslice un lado por el otro en ángulo recto el uno con el otro. El calibre de ángulos tiene varias caras, para algunos de los ángulos más comunes. Entre estos ángulos están 90°, 45°, 30° y 22,5°. También hay un transportador de ángulos de 0° a 45° en un lado para fijar la guía a un ángulo no suministrado de otra forma. Simplemente ponga el calibre al extremo de la guía, sobre la mesa de salida, como se muestra, y fije el ángulo necesario.

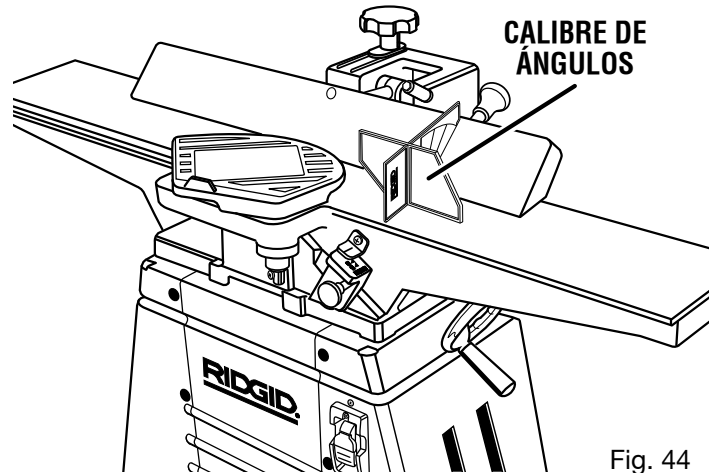


Fig. 44

AJUSTE DE LA EXTENSIÓN DE LA MESA

Vea la figura 45.

La extensión de la mesa se ajusta en la fábrica y normalmente no requiere ningún ajuste adicional. En el supuesto caso de que se desplace durante el envío, alinéela con la mesa de salida como sigue.

- Afloje los tornillos de cabeza hexagonal encargados de fijar la extensión a la mesa de salida.
- Con una regla alinee la extensión para dejarla a ras con la mesa de salida.
- Apriete de forma los tornillos de cabeza hexagonal y vuelva a verificar la alineación.

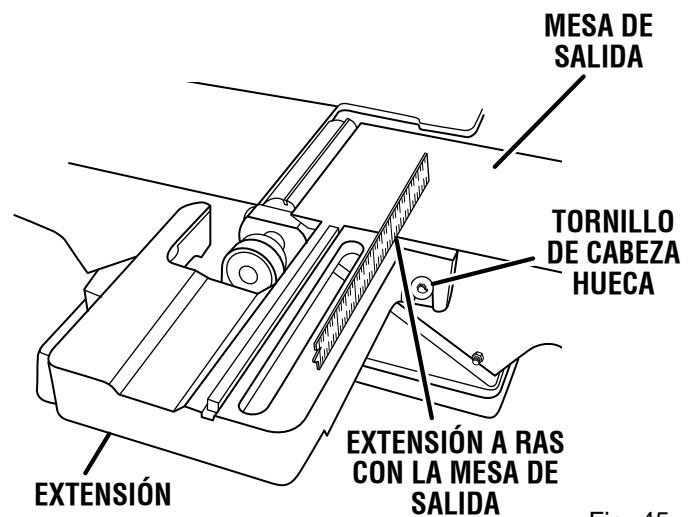


Fig. 45

AJUSTE DEL RESORTE DE LA PROTECCIÓN

Vea la figura 46.

- Retire el tornillo de cabeza troncocónica de la parte inferior del poste de la protección de las cuchillas.

NOTA: El poste de la protección de las cuchillas limita el desplazamiento de dicha protección. Nunca modifique el poste ni retire la protección de las cuchillas antes de ninguna operación.

- Elimine la tensión de la protección de la cabeza de corte; para ello, gire a la derecha la perilla de tensión. Tire de la protección de la cabeza de corte hacia arriba para retirarla.
- Para aumentar la tensión de la protección de la cabeza de corte, hágalo en incrementos de 1/2 vuelta de la perilla de tensión, y vuelva a introducir el poste de la protección.
- Repita la verificación del funcionamiento de la protección de la cabeza de corte, como se describe previamente.

NOTA: No apriete excesivamente el tornillo. Un apriete excesivo puede causar el rompimiento prematuro del resorte o de la protección. Si la protección o el resorte se rompen o funcionan incorrectamente, no utilice la herramienta. Reemplace toda pieza defectuosa antes de volver a poner en servicio la herramienta.

- Una vez terminado el ajuste, vuelva a instalar el tornillo de cabeza troncocónica en la parte inferior del poste de la protección.

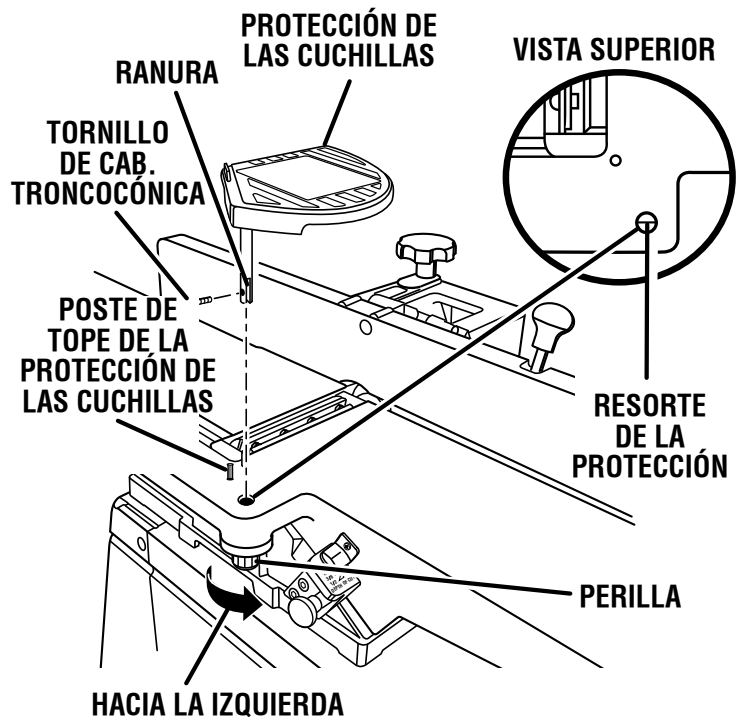


Fig. 46

MANTENIMIENTO

ADVERTENCIA:

Para el servicio de la unidad sólo utilice piezas de repuesto idénticas. El empleo de piezas diferentes puede causar un peligro o dañar el producto.

ADVERTENCIA:

Siempre use gafas de seguridad o anteojos protectores con protección lateral al usar herramientas eléctricas o al soplar el polvo con aire comprimido. Si la operación genera mucho polvo, también póngase una mascarilla contra el polvo.

MANTENIMIENTO GENERAL

Evite el empleo de solventes al limpiar piezas de plástico. La mayoría de los plásticos son susceptibles a diferentes tipos de solventes comerciales y pueden resultar dañados. Utilice paños limpios para eliminar la suciedad, el polvo, el aceite, la grasa, etc.

No permita que se acumule resina en las mesas, en la guía, en la protección de las cuchillas, en la cabeza de corte ni en las cuchillas. Limpie estas piezas con un solvente adecuado.

Aplique una capa delgada de cera en pasta en las mesas y en la guía de manera que la madera se deslice con facilidad durante el avance. De esta manera también se previene la oxidación.

No permita que se acumulen virutas en la parte inferior del cepillo juntero.

Si el cordón de corriente está gastado, cortado o dañado de cualquier forma, reemplácelo de inmediato.

El desarmado del motor debe ser realizado en un centro de servicio autorizado. De lo contrario puede anularse la garantía de la herramienta.

NOTA: No puede regularse o cambiarse la velocidad de este motor.

Los motores empleados en las herramientas eléctricas de carpintería son propensas en particular a la acumulación de aserrín y virutas, por lo cual deben limpiarse con aire comprimido o aspiradora con frecuencia para evitar toda interferencia en la ventilación del motor.

ADVERTENCIA:

No permita en ningún momento que fluidos para frenos, gasolina, productos a base de petróleo, aceites penetrantes, etc., lleguen a tocar las piezas de plástico. Las sustancias químicas pueden dañar, debilitar o destruir el plástico, lo cual a su vez puede producir lesiones corporales serias.

Las herramientas eléctricas que se utilizan en materiales de fibra de vidrio, paneles de yeso para paredes, compuestos de resanar o yeso, están sujetas a desgaste acelerado y posible fallo prematuro porque las partículas y limaduras de fibra de vidrio son altamente abrasivas para los cojinetes, escobillas, conmutadores, etc. Por consiguiente, no recomendamos el uso de esta herramienta durante períodos prolongados de trabajo en estos tipos de materiales. Sin embargo, si usted trabaja con cualquiera de estos materiales, es sumamente importante limpiar la herramienta con aire comprimido.

LUBRICACIÓN

Todos los cojinetes de esta herramienta están lubricados con suficiente cantidad de aceite de alta calidad para toda la vida útil de la unidad en condiciones normales de funcionamiento. Por lo tanto, no se necesita lubricación adicional.

Las siguientes piezas deben aceitarse ocasionalmente con aceite para motor SAE No. 20 ó No. 30. *Vea la figura 47.*

- Separador y corredera de cola de milano.
- Tornillo de elevación (primero límpielo si es necesario).

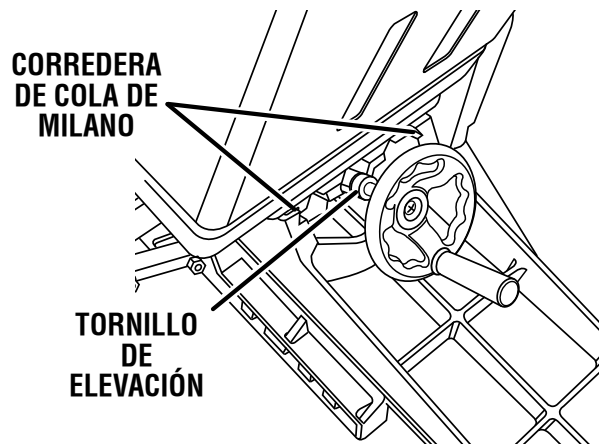


Fig. 47

MANTENIMIENTO

PROTECCIÓN DE SEGURIDAD DEL MOTOR

NOTA: Para disminuir el riesgo de daños al motor, éste debe limpiarse frecuentemente con chorro de aire o con aspiradora para evitar que el aserrín interfiera en la ventilación normal del motor.

- Conecte esta herramienta a un suministro de corriente con el voltaje adecuado para el modelo de la herramienta y un circuito de derivación de 15 Amperes con disyuntor o fusible de retardo de tal amperaje. Si se utiliza un fusible de una capacidad equivocada puede dañarse el motor.
- Si no arranca el motor, apague de inmediato el interruptor de encendido y desconecte la herramienta. Revise la cabeza de corte para asegurarse de que gira libremente. Si la cabeza de corte gira libremente, intente de nuevo arrancar el motor. Si el motor aún no arranca, consulte la “Tabla de corrección de problemas en el motor”, más abajo en este manual.
- Con frecuencia los fusibles pueden fundirse o los disyuntores pueden activarse si:
 - Si se sobrecarga el motor. Una sobrecarga puede ocurrir si usted avanza con demasiada rapidez la pieza de trabajo o efectúa demasiados inicios y detenciones en un período de tiempo corto.
 - Si el voltaje de la línea está 10% arriba o abajo del voltaje nominal señalado en la placa de especificaciones. No obstante, para cargas más pesadas, el voltaje en las terminales del motor debe ser igual al especificado para el modelo de la herramienta.
 - Si se usan cuchillas de cepillo inadecuadas o desafiladas.
- La mayoría de los problemas del motor son causados por conexiones flojas o incorrectas, sobrecarga, voltaje bajo (por ejemplo causado por cableado de calibre insuficiente en el circuito de suministro) o cable demasiado largo del circuito de suministro. Siempre revise las conexiones, la carga y el circuito de suministro de corriente cada vez que el motor no funcione satisfactoriamente. Verifique el calibre y la longitud de los cables en la tabla de calibres de cables.

AFILADO DE LAS CUCHILLAS

Veá la figura 48.

Las cuchillas pueden repasarse individualmente en una piedra de aceite de reparar filos ordinaria.

NOTA: Asegúrese de que la piedra de reparar filos no esté gastada en el centro. Debe estar plana.

Asegúrese de quitar la rebaba del lado plano.



ADVERTENCIA:

Las cuchillas están sumamente afiladas. No toque con la mano o los dedos las cuchillas. La inobservancia de esta advertencia podría causar lesiones corporales serias.

Si están melladas las cuchillas, deben reemplazarse o reesmerilarse. Pueden reesmerilarse varias veces hasta que tengan un ancho de 9/16 pulg. (1,5 cm). Nunca instale cuchillas desequilibradas o cuchillas reesmeriladas que tengan menos de 9/16 pulg. (1,5 cm) de ancho. Lleve las cuchillas a reesmerilar con alguien competente.

Busque bajo el rubro “Servicios de afilado” en la sección amarilla del directorio telefónico.

NOTA: Las cuchillas pueden tener una segunda superficie, esmerilada, muy pequeña, muy cerca del filo. Solamente debe repasarse el filo que vaya a hacer el corte.

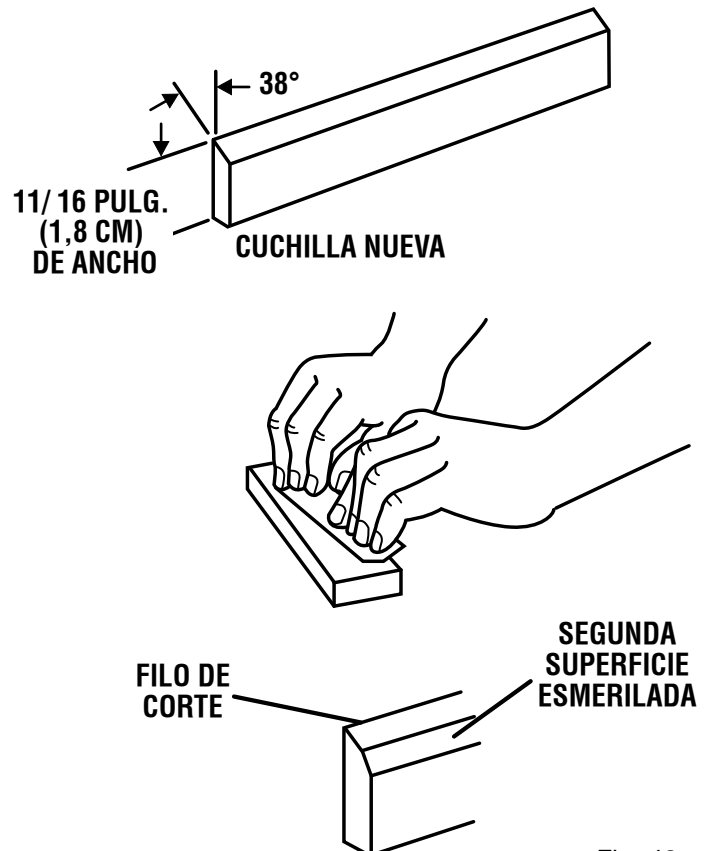


Fig. 48

ACCESORIOS

Estos accesorios pueden encontrarse en Home Depot:

Cuchillas para cepillo	AC8600
Bloques de empujar	AC8601
Juego de captación de aserrín.....	AC8602

ADVERTENCIA:

Arriba se señalan los aditamentos y accesorios disponibles para usarse con esta herramienta. No utilice ningún aditamento o accesorio no recomendado por el fabricante de esta herramienta. El empleo de aditamentos o accesorios no recomendados podría causar lesiones serias.

CORRECCIÓN DE PROBLEMAS

Problema	Causa	Solución
El motor no arranca	<p>Interruptor de encendido defectuoso Capacitor defectuoso Motor defectuoso</p> <p>Voltaje de línea bajo Mucha tensión en la correa</p>	<p>Consulte en un centro de servicio autorizado. Todo intento de reparar este dispositivo eléctrico puede causar un peligro a menos que la reparación sea efectuada por un técnico de servicio calificado. Hay servicio de reparación disponible en el centro de servicio autorizado de su preferencia.</p> <p>Vea la sección “Corrección de problemas (motor)”. Ajuste la tensión de la correa.</p>
La madera pega en la mesa de salida después de pasar por la cabeza de corte.	La mesa de salida está ajustada de forma incorrecta arriba de las cuchillas	Reajuste la mesa de salida, vea la sección “Ajuste de la mesa de salida”.
Quedó ondulada la superficie cepillada	<p>Una cuchilla está más alta que otra Se avanza la madera demasiado rápido</p>	<p>Reajuste las cuchillas, vea la sección “Mantenimiento”. Avance la madera más lentamente.</p>
Contragolpes	Las cuchillas están muy altas arriba de la mesa de salida, o no están a nivel con dicha mesa	Reajuste las cuchillas, vea la sección “Mantenimiento”.
No está recta la superficie cepillada	Está desajustada la mesa de salida	Reajuste la mesa de salida, vea la sección “Ajuste de la mesa de salida”.
Acanalado excesivo al final del corte	Está demasiado baja la mesa de salida	Reajuste la mesa de salida, vea la sección “Ajuste de la mesa de salida”.
Cortes incorrectos a 45°, 90° y 135°	<p>No están debidamente ajustados topes de la guía La parte inferior de la guía no está a nivel con la mesa de salida debido a la presencia de virutas bajo la guía</p>	<p>Reajuste los topes de la guía, vea la sección “Alineación”. Limpie las virutas de madera presentes en el lado inferior de la guía</p>
Está floja la mesa de entrada o la de salida	Puntal flojo	Apriete los puntales.
La protección de las cuchillas no funciona correctamente	<p>Está roto el resorte de retorno Está necesita ajuste el resorte de retorno</p>	<p>Consulte en un centro de servicio autorizado si está roto. Ajuste el resorte.</p>

CORRECCIÓN DE PROBLEMAS

Problema	Causa	Solución
Ruido excesivo	Motor Está flojo el tornillo fijador de la polea	Debe revisar el motor un técnico de servicio autorizado calificado. Hay servicio de reparación disponible en el centro de servicio autorizado de su preferencia. Apriete el tornillo fijador.
El motor no desarrolla toda su potencia. NOTA: Voltaje bajo (La potencia de salida del motor disminuye rápidamente con una disminución en el voltaje de las terminales del motor. Por ejemplo, una reducción del 10% en el voltaje causa una reducción del 19% en la potencia de salida máxima de la que es capaz el motor, y una reducción del 20% en el voltaje causa una reducción del 36% en la potencia de salida máxima.)	El circuito está sobrecargado de luces, aparatos y otros motores Conductores de calibre insuficiente o circuito demasiado largo Sobrecarga general en las instalaciones de la compañía de electricidad	No use otros aparatos o motores en el mismo circuito al usar el cepillo. Use un cable con conductores de mayor calibre, o reduzca la longitud del mismo. Vea la sección "Especificaciones y requisitos eléctricos del motor". Solicite a la compañía proveedora de energía eléctrica una revisión de voltaje.
El motor arranca lentamente o no alcanza su velocidad máxima	Se quemaron o abrieron los devanados del motor Mucha tensión en la correa de transmisión Capacitor de arranque defectuoso	Debe repararse o reemplazarse el motor. Ajuste la tensión de la correa. Debe reemplazarse el capacitor de arranque.
El motor se recalienta	Motor sobrecargado Enfriamiento inadecuada. (Está restringida la circulación de aire a través del motor debido a la acumulación del polvo de aserrín dentro del motor)	Avance más lentamente hacia las cuchillas la pieza de trabajo. Limpie el polvo de aserrín para permitir suficiente circulación de aire a través del motor. Vea "Mantenimiento y Lubricación".
El motor se detiene (resultan fundidos los fusibles o se disparan los disyuntores)	El voltaje está demasiado bajo para permitir al motor alcanzar su velocidad de funcionamiento Los fusibles o disyuntores no tienen capacidad suficiente El circuito está sobrecargado de luces, aparatos y otros motores	Solicite a la compañía proveedora de energía eléctrica una revisión de voltaje. Instale fusibles o disyuntores de una capacidad adecuada. Vea la sección "Conexión eléctrica". No use otros aparatos o motores en el mismo circuito al usar el cepillo.
Con frecuencia se funden los fusibles o se disparan los disyuntores	Motor sobrecargado Los fusibles o disyuntores no tienen capacidad suficiente El circuito está sobrecargado de luces, aparatos y otros motores	Avance más lentamente la pieza de trabajo. Instale fusibles o disyuntores de una capacidad adecuada. Vea la sección "Conexión eléctrica". No use otros aparatos o motores en el mismo circuito al usar el cepillo.

GARANTÍA

HERRAMIENTAS ELÉCTRICAS DE MANO Y ESTACIONARIAS RIDGID® GARANTÍA DE SERVICIO LIMITADA DE TRES AÑOS

Debe presentarse prueba de la compra al solicitar servicio al amparo de la garantía.

Se limita a las herramientas de mano y estacionarias RIDGID® adquiridas a partir del 1.º/feb./04. Este producto está manufacturado por One World Technologies, Inc., La licencia de uso de la marca comercial es otorgada por RIDGID, Inc. Toda comunicación en relación con la garantía debe dirigirse a One World Technologies, Inc., a la atención de: Servicio Técnico de Herramientas Eléctricas de Mano y Estacionarias RIDGID, al (línea gratuita) 1-866-539-1710.

POLÍTICA DE GARANTÍA DE SATISFACCIÓN DE 90 DÍAS

Durante los primeros 90 días a partir de la fecha de compra, si no está satisfecho con el desempeño de esta herramienta de mano o estacionaria RIDGID® por cualquier razón, puede devolverla al establecimiento donde la adquirió, donde se le proporcionará un reembolso total o un intercambio. Para recibir una herramienta de reemplazo, debe presentar documentación de prueba de la compra, y devolver el equipo original empaquetado con el producto original. La herramienta de reemplazo queda cubierta por la garantía limitada por el resto del período de garantía de servicio de 3 AÑOS.

LO QUE ESTÁ CUBIERTO EN LA GARANTÍA DE SERVICIO LIMITADA DE TRES AÑOS

Esta garantía de las herramientas de mano y estacionarias RIDGID® cubre todos los defectos en materiales y mano de obra, así como piezas desgastables como escobillas, portabrocas, motores, interruptores, cordones eléctricos, engranajes e incluso las pilas inalámbricas de esta herramienta RIDGID® por tres años a partir de la fecha de compra de la herramienta. Las garantías de otros productos RIDGID® pueden ser diferentes.

FORMA DE OBTENER SERVICIO

Para obtener servicio para esta herramienta RIDGID®, debe devolverla, ya sea con el flete pagado por anticipado, o llevarla a un centro de servicio autorizado para herramientas eléctricas de mano y estacionarias de la marca RIDGID®. Puede obtener información sobre la ubicación del centro de

®

amparo de la garantía, debe presentar el recibo de venta fechado original. El centro de servicio autorizado reparará toda mano de obra deficiente del producto, y reparará o reemplazará cualquier pieza cubierta en la garantía, a nuestra sola discreción, sin ningún cargo al consumidor.

LO QUE NO ESTÁ CUBIERTO

Esta garantía se ofrece exclusivamente al comprador original al menudeo y no puede transferirse. Esta garantía sólo cubre defectos que surjan en el uso normal de la herramienta y no cubre ningún malfuncionamiento, falla o defecto producido por el uso indebido, maltrato, negligencia, alteración, modificación o reparación efectuada por terceros diferentes de los centros de servicio autorizados de herramientas eléctricas de mano y estacionarias RIDGID®. No están cubiertos los accesorios suministrados con la herramienta, como las hojas, brocas, papel de lija, etc.

RIDGID, INC. Y ONE WORLD TECHNOLOGIES, INC. NO OFRECEN NINGUNA GARANTÍA, DECLARACIÓN O PROMESA EN RELACIÓN CON LA CALIDAD O EL DESEMPEÑO DE SUS HERRAMIENTAS ELÉCTRICAS MÁS QUE LAS SEÑALADAS ESPECÍFICAMENTE EN ESTA GARANTÍA.

LIMITACIONES ADICIONALES

Hasta donde lo permiten las leyes relevantes, se desconoce toda garantía implícita, incluidas las garantías de comerciabilidad o idoneidad para un uso en particular. Toda garantía implícita, incluidas las garantías de comerciabilidad o idoneidad para un uso en particular, que no pueda desconocerse según las leyes estatales, está limitada a tres años a partir de la fecha de compra. One World Technologies, Inc. y RIDGID, Inc. no son responsables de daños directos, indirectos, incidentales o consecuentes. Algunos estados no permiten limitaciones en cuanto al período de vigencia de una garantía implícita y/o no permiten exclusiones o limitaciones de daños incidentales o consecuentes, por lo tanto es posible que esta limitación no se aplique en el caso de usted. Esta garantía le confiere derechos legales específicos, y es posible que usted goce de otros derechos, los cuales pueden variar de estado a estado.

One World Technologies, Inc.

OPERATOR'S MANUAL

MANUEL D'UTILISATION

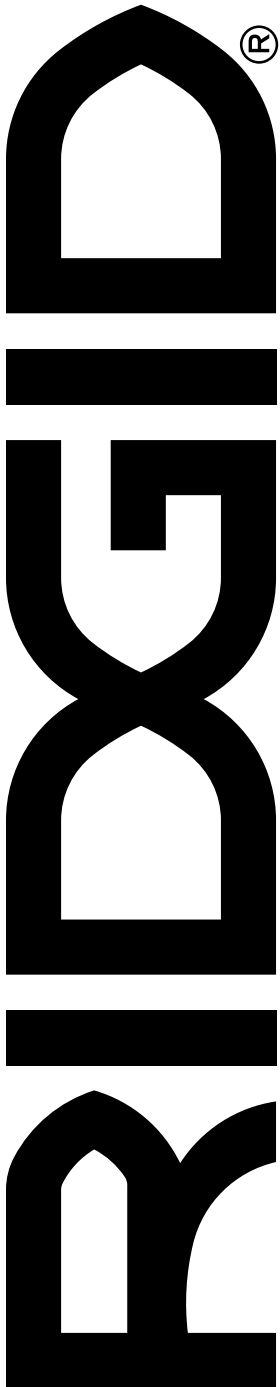
MANUAL DEL OPERADOR

6-1/8 IN JOINTER/PLANER

SCIE À ONGLETS COMBINÉS COULISSANTE DE 305 mm (12 po)

SIERRA INGLETEADORA COMPUESTA DESLIZANTE DE 305 mm (12 pulg.)

JP06101



Customer Service Information:

For parts or service, do not return this product to the store. Contact your nearest RIDGID® authorized service center. Be sure to provide all relevant information when you call or visit. For the location of the authorized service center nearest you, please

MODEL NO. _____ SERIAL NO. _____

Service après-vente :

Pour acheter des pièces ou pour un dépannage, ne pas retourner ce produit au magasin. Contacter le centre de réparations RIDGID® agréé le plus proche. Veiller à fournir toutes les informations pertinentes lors de tout appel téléphonique ou visite. Pour obtenir l'adresse du centre de réparations agréé le plus proche, téléphoner au

NO. DE MODÈLE _____ NO. DE SÉRIE _____

Información sobre servicio al consumidor:

Para piezas de repuesto o servicio, no devuelva este producto a la tienda. Comuníquese con el centro de servicio autorizado de productos RIDGID® de su preferencia. Asegúrese de proporcionar todos los datos pertinentes al llamar o al presentarse personalmente. Para obtener información sobre el centro de servicio autorizado más

NÚM. DE MODELO _____ NÚM. DE SERIE _____

ONE WORLD TECHNOLOGIES, INC.



RIDGID is a registered trademark of RIDGID, Inc., used under license.

983000-393
6-30-18 (REV:02)